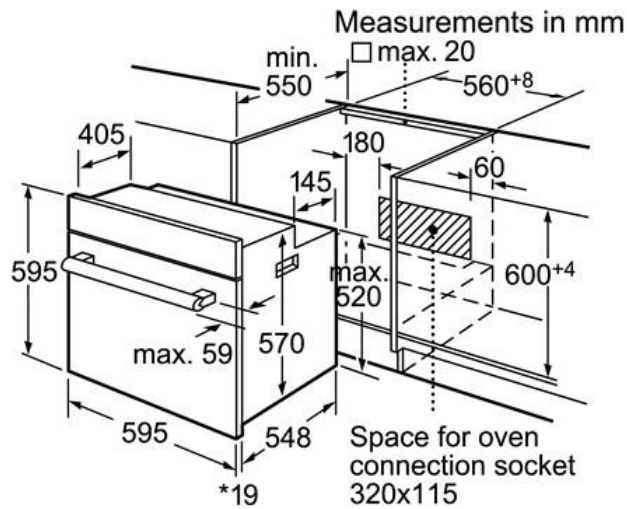
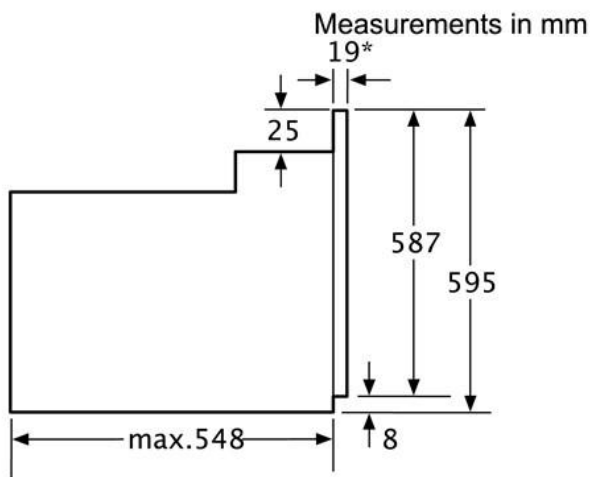


*20 mm for metal fascias



*20 mm for metal fascias



* 20 mm for metal fascias

Dimensions in m