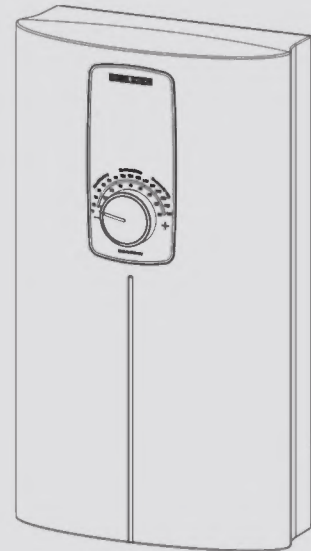


OPERATION AND INSTALLATION
UTILISATION ET INSTALLATION
OPERACIÓN E INSTALACIÓN
RUKOVANJE I INSTALACIJA
ΧΕΙΡΙΣΜΟΣ ΚΑΙ ΕΓΚΑΤΑΣΤΑΣΗ
ЭКСПЛУАТАЦИЯ И УСТАНОВКА
الاستعمال والتركيب

Electronically controlled compact instantaneous water heater | Chauffe-eau instantané compact à régulation électronique | Calentador instantáneo compacto con regulación electrónica | Elektronički regulirani kompaktni protočni grijač | Ηλεκτρονικά ελεγχόμενος κόμπакт στιγμιαίος θερμαντήρας ροής | Малогабаритный проточный нагреватель с электронным управлением | سخان الماء الفوري المُدمج الذي يتم ضبطه إلكترونيًا

- » DCE-S 6/8 Plus
- » DCE-S 10/12 Plus



STIEBEL ELTRON

CONTENTS

SPECIAL INFORMATION

OPERATION

1. General information	3
1.1 Safety instructions	3
1.2 Other symbols in this documentation	4
1.3 Units of measurement	4
2. Safety	4
2.1 Intended use	4
2.2 General safety instructions	4
2.3 Test symbols	4
3. Appliance description	4
3.1 Selecting the set temperature	5
3.2 Recommended settings	5
4. Cleaning, care and maintenance	5
5. Troubleshooting	5

INSTALLATION

6. Safety	6
6.1 General safety instructions	6
6.2 Shower operation	6
6.3 Instructions, standards and regulations	6
7. Appliance description	6
7.1 Standard delivery	6
7.2 Accessories	6
8. Preparation	6
8.1 Installation site	6
8.2 Minimum clearances	7
8.3 Water installation	7
9. Installation	7
9.1 Standard installation on finished walls	7
10. Commissioning	9
10.1 Internal anti-scalding protection via jumper slot	9
10.2 Changing the connected load via the jumper slot	9
10.3 Initial start-up	9
10.4 Recommissioning	10
11. Appliance shutdown	10
12. Alternative installation methods	10
12.1 Electrical connection from above on unfinished walls	10
12.2 Electrical connection from below on unfinished walls	11
12.3 Electrical connection with short power cable	11
12.4 Electrical connection from the side on finished walls	11
12.5 Water installation on unfinished walls	11
12.6 Operation with preheated water	12
13. Service information	12
14. Troubleshooting	13
15. Maintenance	13
15.1 Draining the appliance	13
15.2 Cleaning the strainer	13
16. Specification	14
16.1 Dimensions and connections	14
16.2 Wiring diagram	15
16.3 DHW output	15
16.4 Application areas / conversion table	15
16.5 Pressure drop	15
16.6 Fault conditions	15

16.7 Energy consumption data	16
16.8 Data table	16

GUARANTEE

ENVIRONMENT AND RECYCLING

SPECIAL INFORMATION

- The appliance may be used by children aged 3 and older and persons with reduced physical, sensory or mental capabilities or a lack of experience and know-how, provided that they are supervised or they have been instructed on how to use the appliance safely and have understood the potential risks. Children must never play with the appliance. Cleaning and user maintenance must not be carried out by children without supervision.
- During operation, the tap can reach temperatures up to 70 °C. There is a risk of scalding at outlet temperatures in excess of 43 °C.
- The appliance is suitable for supplying a shower (shower operation). If the appliance is also or exclusively used for shower operation, the qualified contractor must adjust the temperature setting range to 55 °C or less using the internal anti-scalding protection on the appliance. When using preheated water, ensure that the inlet temperature does not exceed 55 °C.
- Ensure the appliance can be separated from the power supply by an isolator that disconnects all poles with at least 3 mm contact separation.
- The specified voltage must match the power supply.
- The appliance must be connected to the earth conductor.
- The appliance must be permanently connected to fixed wiring.
- Secure the appliance as described in chapter "Installation / Installation".
- Observe the application limits (see chapter "Installation / Specification / Data table").

- The specific water resistivity of the mains water supply must not be undershot (see chapter "Installation / Specification / Data table").
- Drain the appliance as described in chapter "Installation / Maintenance / Draining the appliance".

OPERATION

1. General information

The chapters "Special information" and "Operation" are intended for both users and qualified contractors.

The chapter "Installation" is intended for qualified contractors.



Note

Read these instructions carefully before using the appliance and retain them for future reference. Pass on the instructions to a new user if required.

1.1 Safety instructions

1.1.1 Structure of safety instructions



KEYWORD Type of risk

Here, possible consequences are listed that may result from failure to observe the safety instructions.

► Steps to prevent the risk are listed.

1.1.2 Symbols, type of risk

Symbol	Type of risk
	Injury
	Electrocution
	Burns (burns, scalding)

1.1.3 Keywords

KEYWORD	Meaning
DANGER	Failure to observe this information will result in serious injury or death.
WARNING	Failure to observe this information may result in serious injury or death.
CAUTION	Failure to observe this information may result in non-serious or minor injury.

1.2 Other symbols in this documentation



Note

General information is identified by the adjacent symbol.
► Read these texts carefully.

Symbol	Meaning
	Material losses (appliance damage, consequential losses and environmental pollution)
	Appliance disposal

► This symbol indicates that you have to do something. The action you need to take is described step by step.

1.3 Units of measurement



Note

All measurements are given in millimetres unless otherwise stated.

2. Safety

2.1 Intended use

This appliance is suitable for heating domestic hot water or for reheating preheated water. The appliance can supply one or more draw-off points.

Water will not be reheated if the maximum inlet temperature for reheating is exceeded.

The appliance is intended for domestic use. It can be used safely by untrained persons. The appliance can also be used in non-domestic environments, e.g. in small businesses, as long as it is used in the same way.

Any other use beyond that described shall be deemed inappropriate. Observation of these instructions and of the instructions for any accessories used is also part of the correct use of this appliance.

2.2 General safety instructions



CAUTION Burns

During operation, the tap can reach temperatures up to 70 °C.

There is a risk of scalding at outlet temperatures in excess of 43 °C.



CAUTION Burns

If children or persons with limited physical, sensory or mental capabilities use the appliance, a permanent and unchangeable temperature limit is necessary. Ask a qualified contractor to set the internal anti-scalding protection.



CAUTION Burns

If operating with preheated water, e.g. if using a solar thermal system, observe the following information: The DHW temperature may exceed the set temperature or a set temperature limit.

► In this case, limit the temperature with an upstream central thermostatic valve.



WARNING Injury

The appliance may be used by children aged 3 and older and persons with reduced physical, sensory or mental capabilities or a lack of experience and know-how, provided that they are supervised or they have been instructed on how to use the appliance safely and have understood the potential risks. Children must never play with the appliance. Cleaning and user maintenance must not be carried out by children without supervision.



Material losses

The user should protect the appliance and its tap against frost.



Note

In order to comply with protection rating IP 25, countersunk screws must be used to secure the appliance to the wall.

2.3 Test symbols

See type plate on the appliance.

3. Appliance description

The appliance switches on automatically as soon as you open the hot water valve on the tap. When you close the tap, the appliance switches off again automatically.

The appliance heats water as it flows through it. The set temperature is adjustable. Upwards of a certain flow rate, the control unit selects the required heating output, subject to the temperature selected and the cold water temperature.

The compact instantaneous water heater with electronic control and automatic output matching maintains a consistent outlet temperature. It is irrespective of the inlet temperature, up to the maximum output of the appliance.

If the appliance is operated with preheated water and the inlet temperature exceeds the set temperature, the water is not heated further.

Heating system

The bare wire heating system is enclosed within a pressure-tested plastic jacket. The heating system with its stainless steel heater spiral is suitable for hard and soft water areas and is largely insensitive to scale build-up. The heating system ensures rapid and efficient DHW provision.



Note
The appliance is equipped with an air detector that largely prevents damage to the heating system. If, during operation, air is drawn into the appliance, the appliance shuts down heating operation for one minute to protect the heating system.

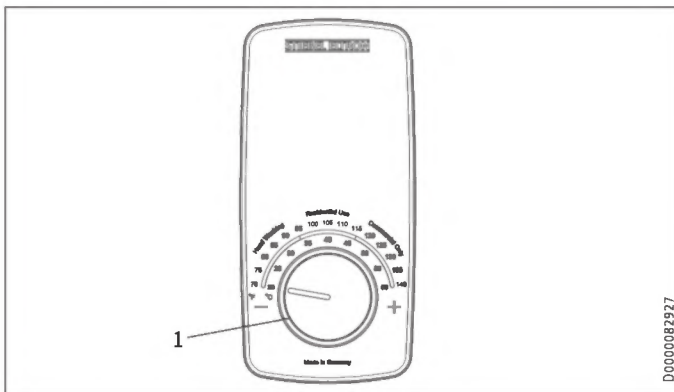
Following an interruption to the water supply



Material losses
To ensure that the bare wire heating system is not damaged following an interruption to the water supply, the appliance must be restarted by taking the following steps.

- ▶ Disconnect the appliance from the power supply by removing the fuses/tripping the MCBs.
- ▶ Vent the appliance and the cold water inlet line (see chapter "Installation / Commissioning / Initial start-up").
- ▶ Switch the power back ON.

3.1 Selecting the set temperature



1 Temperature selector for selecting the set temperature

3.2 Recommended settings

Your instantaneous water heater offers maximum precision and maximum convenience in DHW provision. Should you nonetheless operate the appliance with a thermostatic valve, we recommend that you:

- ▶ Adjust the set temperature on the appliance to over 50 °C. Then set the required set temperature on the thermostatic valve.

Saving energy

The following recommended settings will result in the lowest energy consumption:

- 38 °C for hand washbasins, showers, bath
- 55 °C for kitchen sinks

Temperature limit via internal anti-scalding protection (qualified contractor)

If required, the qualified contractor can set a permanent temperature limit, for example in nurseries, hospitals, etc.

When supplying a shower, the appliance temperature setting range must be adjusted by the qualified contractor to 55 °C or less.

Limiting it in this way prevents water from flowing out of the appliance at temperatures which could cause injury.

Recommended setting for operation with a thermostatic valve and water preheated by solar energy

- ▶ Set the temperature at the appliance to the maximum temperature.

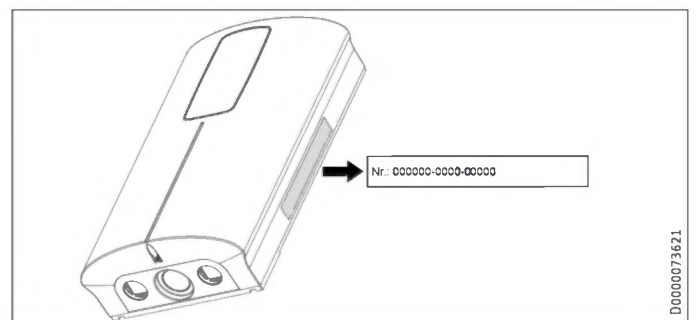
4. Cleaning, care and maintenance

- ▶ Never use abrasive or corrosive cleaning agents. A damp cloth is sufficient for cleaning the appliance.
- ▶ Check the taps regularly. Limescale deposits at the tap outlets can be removed using commercially available descaling agents.

5. Troubleshooting

Problem	Cause	Remedy
The appliance will not start despite the DHW valve being fully open.	There is no power.	Check the fuses / MCBs in your fuse box / distribution board.
	The aerator in the tap or the shower head is scaled up or dirty.	Clean and/or descale the aerator or shower head.
	The water supply has been interrupted.	Vent the appliance and the cold water inlet line (see chapter "Installation / Commissioning / Initial start-up").
When hot water is being drawn off, cold water flows for a short period.	The air sensor is detecting air in the water. It briefly switches off the heating output.	The appliance restarts automatically after 1 minute.
Boiling noises are heard during operation.	The appliance is not vented.	Vent the appliance (see chapter "Installation / Commissioning / Initial start-up").
	The supply pressure is too low.	Ensure that the minimum supply pressure is achieved (see chapter "Installation / Specification / Data table").
The required temperature cannot be set.	Internal anti-scalding protection is activated.	The internal anti-scalding protection can only be adjusted by qualified contractors.

If you cannot remedy the fault, contact your qualified contractor. To facilitate and speed up your enquiry, please provide the serial number from the type plate (000000-0000-000000).



INSTALLATION

6. Safety

Only a qualified contractor should carry out installation, commissioning, maintenance and repair of the appliance.

6.1 General safety instructions

We guarantee trouble-free function and operational reliability only if original accessories and spare parts intended for the appliance are used.



Material losses

Observe the maximum inlet temperature. Higher temperatures may damage the appliance. You can limit the maximum inlet temperature by installing a central thermostatic valve.



WARNING Electrocutation

This appliance contains capacitors which are discharged when disconnected from the power supply. The capacitor discharge voltage may briefly exceed 60 V DC.

6.2 Shower operation



CAUTION Burns

► When supplying a shower, set the internal anti-scalding protection to 55 °C or less; see chapter "Commissioning / Preparations".



CAUTION Burns

If operating with preheated water, e.g. if using a solar thermal system, observe the following information: The DHW temperature may exceed the set temperature or a set temperature limit.

► In this case, limit the temperature with an upstream central thermostatic valve.

6.3 Instructions, standards and regulations



Note

Observe all applicable national and regional regulations and instructions.

- The protection rating IP 25 (hoseproof) is only guaranteed with a properly fitted cable grommet and the use of counter-sunk screws Ø 4.5 mm with a max. head diameter of 9 mm.
- The electrical resistivity of the water must not fall below that stated on the type plate. In a linked water network, take into consideration the lowest electrical resistivity of the water. Your water supply utility will advise you of the electrical resistivity or conductivity of the water in your area.

7. Appliance description

7.1 Standard delivery

The following are delivered with the appliance:

- 2 x 45° twin connectors
- 2 flat gaskets
- 2 O-rings
- Cable grommet
- Strainer
- Flow limiter
- Jumper for anti-scalding protection, attached
- Jumper for output changeover, attached

7.2 Accessories

Installation kit for water installation on unfinished walls (200016 - UP-Kit EU)

The installation kit for water installation on unfinished walls contains:

- 2 x grommets to seal the apertures in the appliance back panel.
- Strainer with sealed edge for installation on the 45° twin connector.
- Flat gasket

8. Preparation

8.1 Installation site



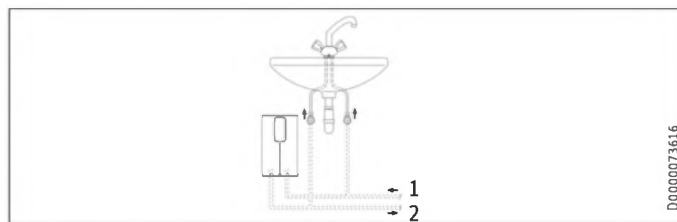
Material losses

Install the appliance in a room that is free from the risk of frost.

- Always install the appliance vertically and near the draw-off point.

The appliance is suitable for undersink and oversink installation.

Undersink installation

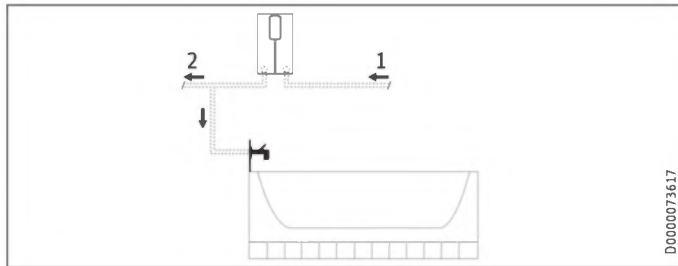


- 1 Cold water inlet
- 2 DHW outlet

INSTALLATION

Installation

Oversink installation



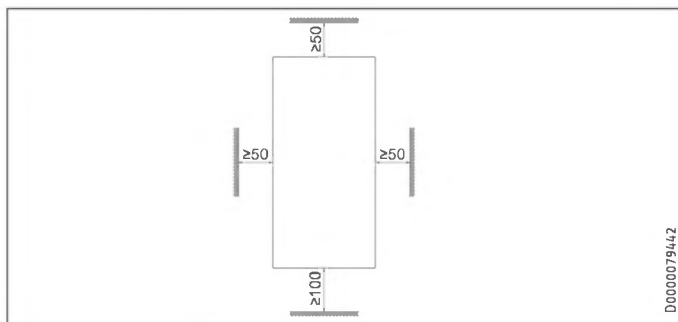
- 1 Cold water inlet
- 2 DHW outlet



Note

► Install the appliance flush to the wall. The wall must have sufficient load bearing capacity.

8.2 Minimum clearances



- Maintain the minimum clearances to ensure trouble-free operation of the appliance and facilitate maintenance work.

8.3 Water installation



Material losses

Carry out all water connection and installation work in accordance with regulations.

- Flush the water line thoroughly.

Taps

Use appropriate pressure taps. Open vented taps are not permissible.

Permissible water line materials

- Cold water inlet line:
Pipes made from galvanised steel, stainless steel, copper or plastic
- DHW outlet line:
Pipes made from stainless steel, copper or plastic



Material losses

If plastic pipework systems are used, take into account the maximum inlet temperature and the maximum permissible pressure.

Flow rate

- Ensure that the flow rate for switching on the appliance is achieved.
- If the required flow rate is not achieved when the draw-off valve is fully open, remove the flow limiter from the cold water inlet.

If required, the pressure in the water installation can also be raised.

9. Installation

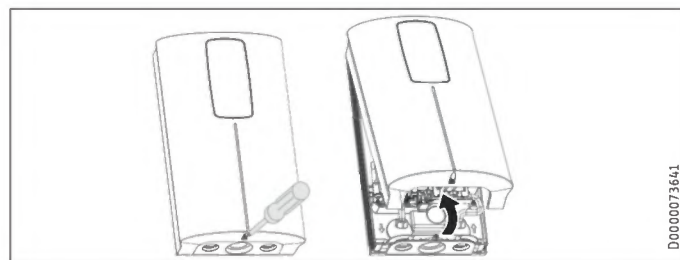
Factory settings	DCE-S 6/8 Plus	DCE-S 10/12 Plus
Internal anti-scalding protection in °C	60	60
Connected load in kW	@ 220 V 8.0	12.0
	@ 230 V 8.7	13.1
	@ 240 V 9.6	14.3

Standard installation	DCE-S 6/8 Plus	DCE-S 10/12 Plus
Electrical connection from below, installation on finished walls	x	x
Water connection, installation on finished walls	x	x

For further installation options, see chapter "Alternative installation methods".

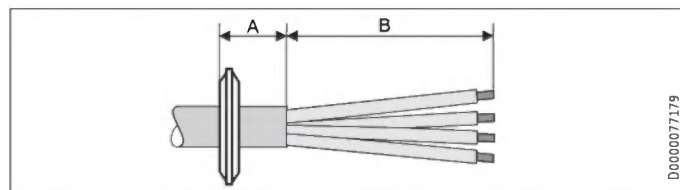
9.1 Standard installation on finished walls

Opening the appliance



- Open the appliance by undoing the screw and lifting up the appliance cover.

Preparing the power cable



- Prepare the power cable.

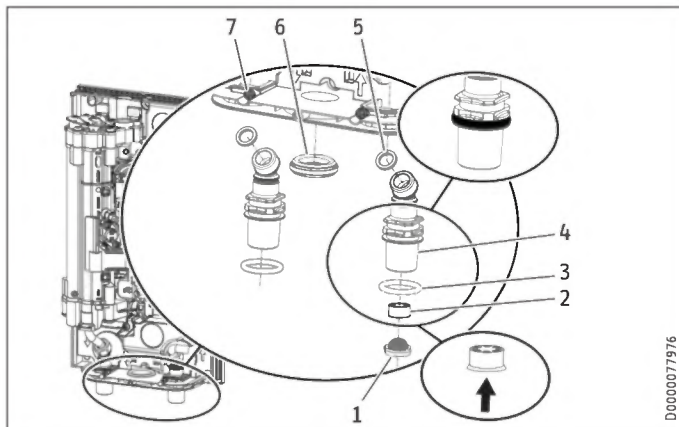
Position on finished walls	Dimension A	Dimension B
Bottom, centre	30	120
Bottom, left side of appliance	20	90
Bottom, right side of appliance	20	90
Top, right side of appliance	20	80

Position on unfinished walls	Dimension A	Dimension B
Bottom	20	90
Top	20	80

INSTALLATION

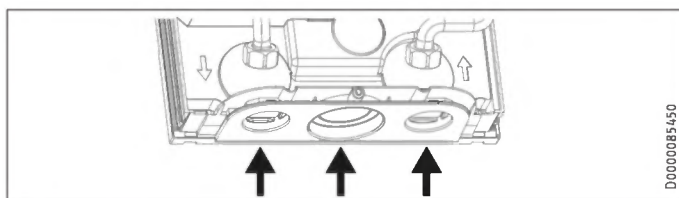
Installation

Preparation



- 1 Strainer
- 2 Flow limiter
- 3 O-rings
- 4 45° twin connector
- 5 Flat gaskets
- 6 Cable grommet
- 7 Locking screws

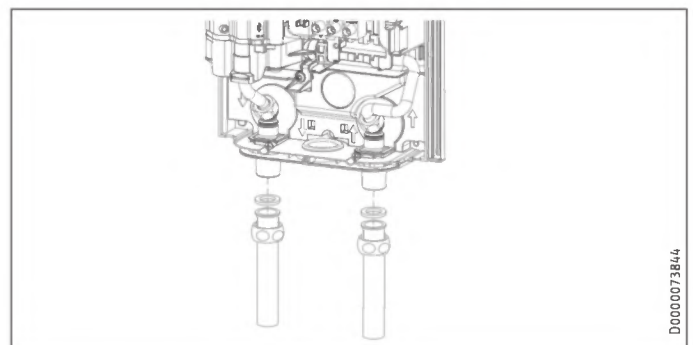
- ▶ Undo the locking screws.



- ▶ Push/break out the required apertures where marked on the appliance back panel for the power cable and twin connectors. Use a suitable flat tool when doing so. Deburr any sharp edges with a file.
- ▶ Remove the transport protection plugs from the water connection pipes.
- ▶ Cut a hole in the cable grommet to fit the selected connecting cable. Fit the cable grommet.
- ▶ Fit the O-rings into the groove on the twin connectors.
- ▶ Push the twin nipples into the apertures in the appliance back panel and fit them to the appliance connection pipes using flat gaskets (torque 8 Nm).
- ▶ Secure the twin connectors with the locking screws.
- ▶ Insert the flow limiter and strainer in the twin connector of the cold water connection. Note the orientation of the flow limiter.

Installing the appliance

- ▶ Push/break out the lower slots (175 mm apart) in the back panel for securing the appliance (for positions, see chapter "Specification / Dimensions and connections"). The upper two fixing holes are already open.
- ▶ Mark out the 4 drilling positions with reference to the appliance back panel.
- ▶ Drill the holes and secure the appliance using suitable fixing materials (screws and rawl plugs are not part of the standard delivery): Countersunk screw, \varnothing 4.5 mm, max. diameter of screw-head 9 mm.



- ▶ Fit a suitable pressure tap.
- ▶ Fit the water supply pipes for the valve (not included in standard delivery) to the twin connectors using the flat gaskets.
- ▶ Open the shut-off valve in the cold water inlet line.

Making the electrical connection



WARNING Electrocutation

Carry out all electrical connection and installation work in accordance with relevant regulations.



WARNING Electrocutation

The connection to the power supply is only permissible as a permanent connection in conjunction with the removable cable grommet. Ensure the appliance can be separated from the power supply by an isolator that disconnects all poles with at least 3 mm contact separation.



WARNING Electrocutation

Ensure that the appliance is earthed.



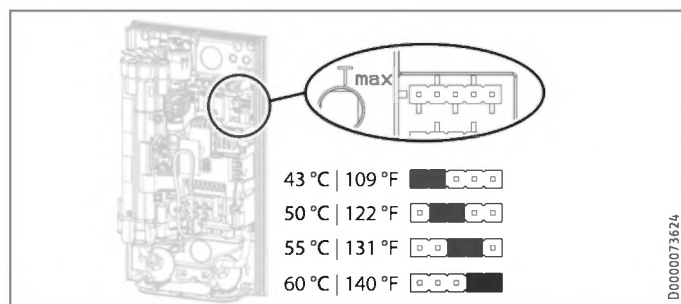
Material losses

Observe the type plate. The specified rated voltage must match the mains voltage.

- ▶ Push the power cable through the cable grommet.
- ▶ Connect the power cable to the mains terminal (see chapter "Installation / Specification / Wiring diagram").

10. Commissioning

10.1 Internal anti-scalding protection via jumper slot



- ▶ Install the jumper in the required position on the "Tmax" pin strip.

Jumper position	Description
43 °C 109 °F	For example in nurseries, hospitals, etc.
50 °C 122 °F	
55 °C 131 °F	Max. for shower operation
60 °C 140 °F	Factory setting
No jumper	Limit 43 °C 109 °F



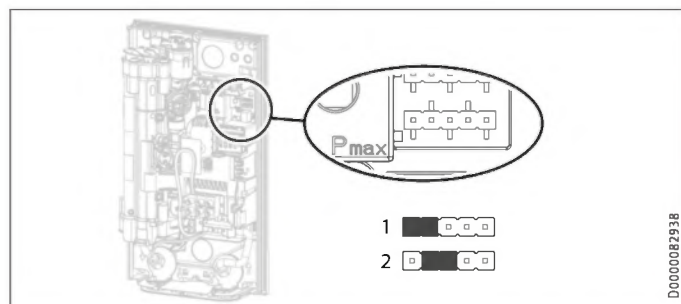
CAUTION Burns

If operating with preheated water, e.g. if using a solar thermal system, the internal anti-scalding protection can be overridden.

- ▶ In this case, limit the temperature with an upstream central thermostatic valve.

10.2 Changing the connected load via the jumper slot

If you select a connected load other than the factory setting for the appliance, you will need to reposition the jumper.

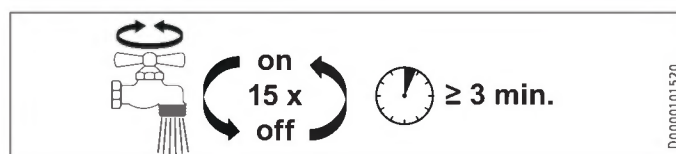


- ▶ Install the jumper in the required position on the "Pmax" pin strip.

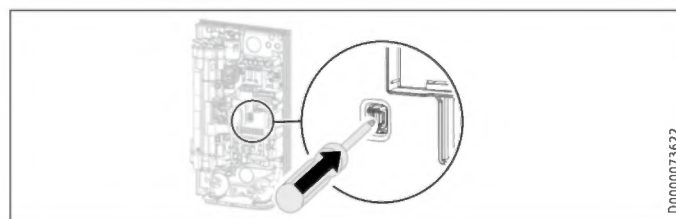
Jumper position	Connected load	DCE-S Plus	
		6/8 Plus	10/12 Plus
1 [low]	@ 220 V	6.0 kW	10.0 kW
	@ 230 V	6.6 kW	11.0 kW
	@ 240 V	7.2 kW	12.0 kW
2 [high]	@ 220 V	8.0 kW	12.0 kW
	@ 230 V	8.7 kW	13.1 kW
Factory setting	@ 240 V	9.6 kW	14.3 kW
	@ 220 V	6.0 kW	10.0 kW
	@ 230 V	6.6 kW	11.0 kW
No jumper [low]	@ 240 V	7.2 kW	12.0 kW

10.3 Initial start-up

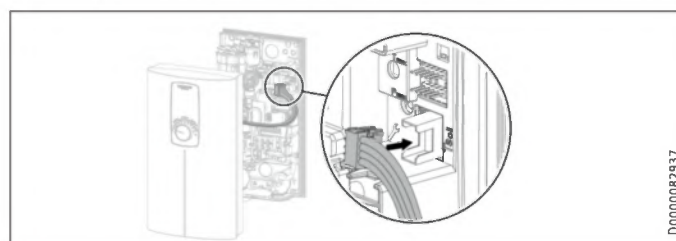
- ▶ Tick the selected connected load on the type plate. Use a ballpoint pen to do this.



- ▶ Open and close all connected draw-off valves 15 times over a period of at least 3 minutes, until all air has been purged from the pipework and the appliance. Vent the cold water inlet line and the appliance using a flow rate of least 3.5 l/min.
- ▶ Carry out a tightness check.



- ▶ Activate the safety switch by firmly pressing the reset button (the appliance is delivered with the safety switch disabled).



- ▶ Insert the plug of the programming unit connecting cable at the PCB.

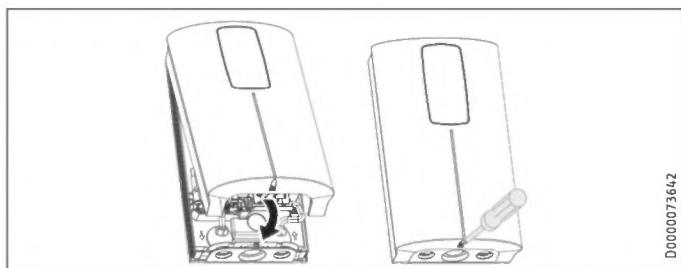


Note

It is essential to plug the connecting cable for the programming unit into the PCB before switching on the power. Otherwise, the programming unit will not function.

INSTALLATION

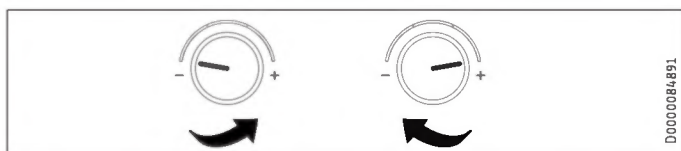
Appliance shutdown



- ▶ Hook the appliance cover into the appliance back panel at the top rear. Pivot the appliance cover downwards. Check that the appliance cover is securely seated both top and bottom.
- ▶ Secure the appliance cover with the screw.
- ▶ Remove the protective film from the user interface.



- ▶ Switch on the power supply.
- ▶ Ensure that the programming unit is functioning correctly.



- ▶ Turn the temperature selector to its left-hand and right-hand end-stop.

10.3.1 Appliance handover

- ▶ Explain the appliance function to users and familiarise them with how it works.
- ▶ Make the user aware of potential dangers, especially the risk of scalding.
- ▶ Hand over the instructions.

10.4 Recommissioning



Material losses

To ensure that the bare wire heating system is not damaged following an interruption to the water supply, the appliance must be restarted by taking the following steps.

- ▶ Disconnect the appliance from the power supply by removing the fuses/tripping the MCBs.
- ▶ Vent the appliance and the cold water inlet line (see chapter "Commissioning / Initial start-up").
- ▶ Switch the power back ON.

11. Appliance shutdown

- ▶ Isolate all poles of the appliance from the power supply.
- ▶ Drain the appliance (see chapter "Maintenance / Draining the appliance").

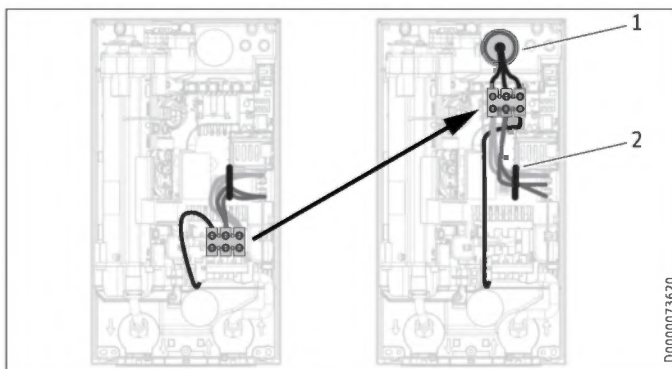
12. Alternative installation methods



WARNING Electrocutation

Before performing any work on the appliance, disconnect all poles from the power supply.

12.1 Electrical connection from above on unfinished walls



- 1 Cable grommet
- 2 Cable routing

- ▶ Break out the required aperture in the back panel for the power cable (for positions, see chapter "Specification / Dimensions and connections"). Deburr any sharp edges with a file.
- ▶ Cut a hole in the cable grommet to fit the selected connecting cable. Fit the cable grommet.
- ▶ Reposition the mains terminal from the bottom to the top. To do so, unclip the mains terminal by pushing it firmly to the left and pulling it forwards. Turn the mains terminal with connecting cables 180° clockwise. Lay the internal wiring under the cable guide. Clip the mains terminal in by pushing it inwards and to the left until it clicks into place.
- ▶ Install the appliance and connect the power cable to the mains terminal as described in chapter "Installation / Standard installation on finished walls".

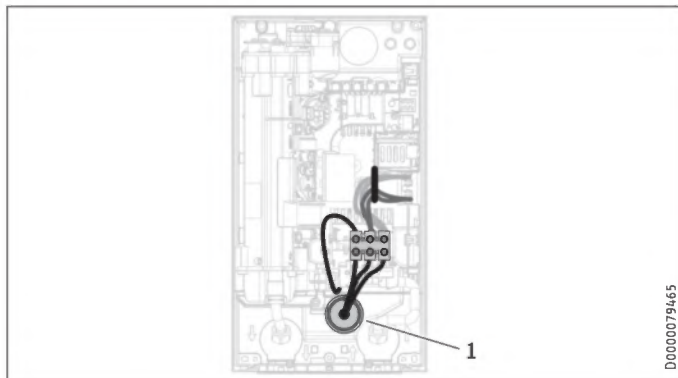


Note

Disconnecting the mains terminal at the top:

- ▶ Use a screwdriver to disengage the locking tab from the right-hand side.

12.2 Electrical connection from below on unfinished walls

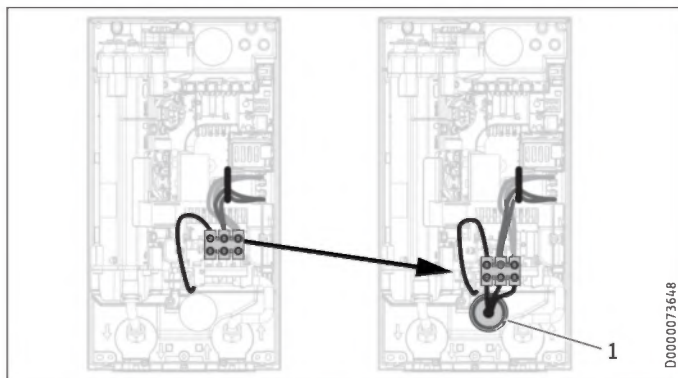


1 Cable grommet

- ▶ Break out the required aperture in the back panel for the power cable (for positions, see chapter "Specification / Dimensions and connections"). Deburr any sharp edges with a file.
- ▶ Cut a hole in the cable grommet to fit the selected connecting cable. Fit the cable grommet.
- ▶ Install the appliance and connect the power cable to the mains terminal as described in chapter "Installation / Standard installation on finished walls".

12.3 Electrical connection with short power cable

If the power cable is not quite long enough, you can install the mains terminal in the appliance a little closer to the aperture.



1 Cable grommet

- ▶ Reposition the mains terminal from the top to the bottom. To do so, unclip the mains terminal by pushing it firmly to the left and pulling it forwards. Clip the mains terminal in at the bottom by pushing it inwards and to the left until it clicks into place.

12.4 Electrical connection from the side on finished walls

- ▶ Cut and break out the required aperture in the appliance back panel and appliance cover for the power cable (for positions, see chapter "Specification / Dimensions and connections"). Deburr any sharp edges with a file.
- ▶ Install the appliance and connect the power cable to the mains terminal as described in chapter "Installation / Standard installation on finished walls".

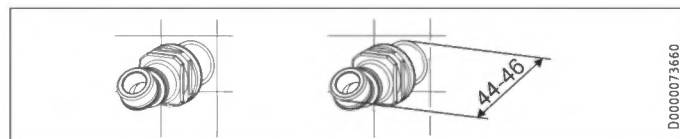
12.5 Water installation on unfinished walls

You will need the appropriate accessories to carry out the installation. The installation kit for water installation on unfinished walls contains:

- 2 x grommets to seal the apertures in the appliance back panel.
- Strainer with sealed edge for installation on the 45° twin connector.
- Flat gasket

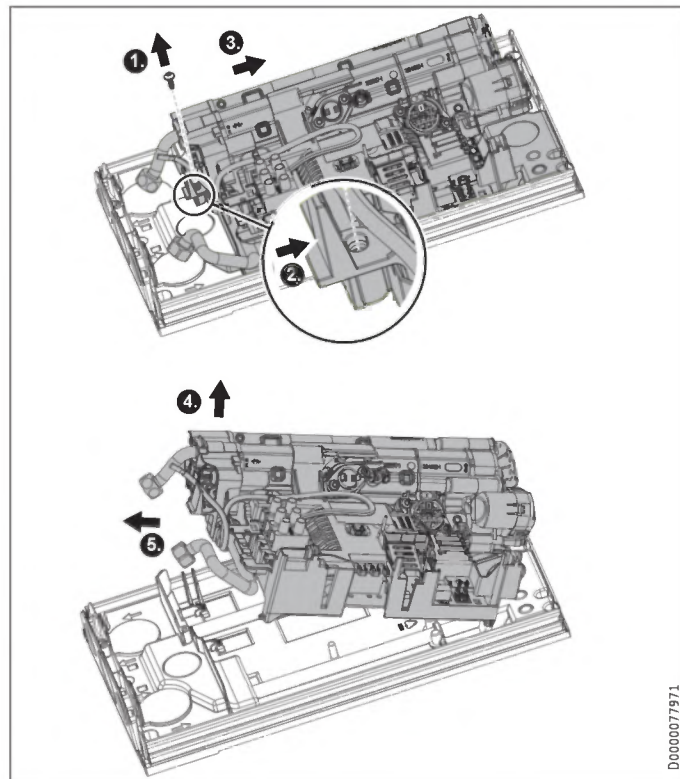
In addition, you will need the flow limiter included in the appliance standard delivery.

Preparation

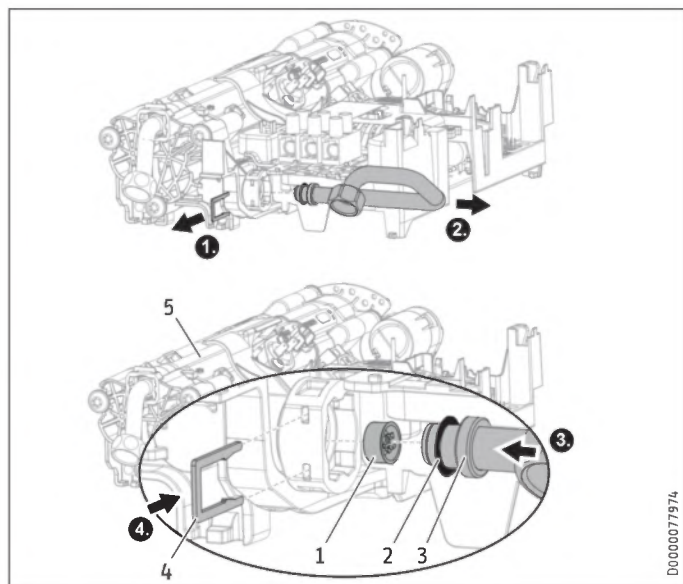


- ▶ Insert and seal the 45° twin connectors.

To break out the apertures in the appliance back panel, you will need to remove the function module from the back panel.



- ▶ Undo the screw and disengage the locking tab.
- ▶ Push the function module on the back panel gently backwards.
- ▶ Remove the function module from the appliance back panel by pulling it slightly forwards and lifting it off.
- ▶ Push/break out the required apertures for the water connections in the back panel from behind (for positions, see chapter "Specification / Dimensions and connections"). Deburr any sharp edges with a file.



D0000077974

- 1 Flow limiter
- 2 O-ring
- 3 Cold water pipe bend with recess for spring clip
- 4 Spring clip
- 5 Heater

- ▶ Remove the cold water pipe bend and the O-ring.
- ▶ Insert the flow limiter (part of the appliance standard delivery) in the cold water inlet of the heater. Note the orientation.
- ▶ Fit the cold water pipe bend with the O-ring.



Material losses

The O-ring must be fitted to prevent the appliance from leaking.

- ▶ As part of installation, check that the O-ring is in place.

- ▶ Secure the cold water pipe bend with the spring clip.

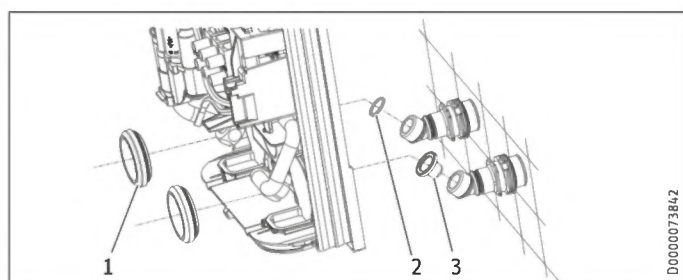


Material losses

Ensure that the spring clip is located behind the recess in the pipe bend and that it is securely holding the pipe bend in place.

- ▶ Fit the function module on the appliance back panel in reverse order until it clicks into place.
- ▶ Secure the function module with the screw.

Installing the appliance



D0000073842

- 1 Grommets
- 2 Flat gasket
- 3 Strainer with sealed edge

- ▶ Mark out the 2 drilling positions in the upper section of the appliance back panel with reference to the appliance back panel.
- ▶ Fit the grommets in the appliance back panel from the front.
- ▶ Drill the holes and secure the appliance using suitable fixing materials (screws and rawl plugs are not part of the standard delivery): Countersunk screw, \varnothing 4.5 mm, max. diameter of screw-head 9 mm.



Note

- ▶ Install the appliance flush to the wall. If necessary, additionally secure the appliance at the 2 lower attachment points. To do this, push/break out the lower slots (175 mm apart) in the appliance back panel (for positions, see chapter "Specification / Dimensions and connections").

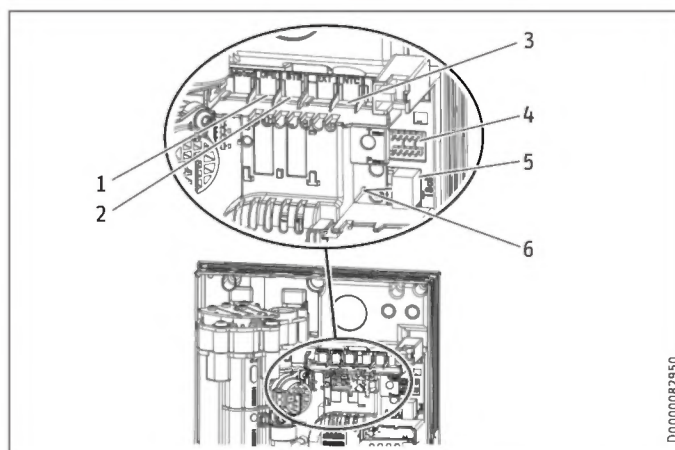
- ▶ Remove the transport protection plugs from the water connection pipes.
- ▶ Secure the DHW connection pipe with a flat gasket and the cold water inlet line with the sealed-edge strainer (from the accessories) to the twin connectors.

12.6 Operation with preheated water

You can limit the maximum inlet temperature by installing a central thermostatic valve.

13. Service information

Connection overview / component overview



D0000082950

- 1 Flow meter
- 2 High limit safety cut-out, automatic reset
- 3 NTC sensor
- 4 Pin strips for connected load and anti-scalding protection
- 5 Programming unit plug-in position
- 6 Diagnostic traffic lights

14. Troubleshooting



WARNING Electrocutation
To test the appliance, it must be connected to the power supply.



Note
When testing the appliance using the diagnostic traffic lights, water must be flowing.

Signals of the diagnostic traffic lights (LED)

	Red	Lights up in the event of a fault
	Yellow	Lights up in heating mode/ flashes when output limit reached
	Green	Flashing: Appliance connected to power supply

Diagnostic traffic lights (draw-off mode)	Fault	Cause	Remedy
No LED illuminates	Appliance does not heat up	One or more power supply phases are missing PCB faulty	Check the fuses in the distribution board Replace the function module
Green flashing, yellow off, red off	No DHW	Appliance starting flow rate not reached; shower head/aerator scaled up Appliance starting flow rate not reached; strainer in cold water inlet dirty Flow meter not plugged in Flow meter faulty or dirty PCB faulty	Descale/replace the shower head/aerator Cleaning the strainer Check plug-in connection; correct if necessary Replace flow meter Replace the function module
Green flashing, yellow on, red off	No DHW; outlet temperature does not match set value	Tap faulty Programming unit connected to the PCB after switching on the power supply Outlet sensor faulty Heating system faulty PCB faulty	Replace tap Switch the fuses in the distribution board off and back on again Replace outlet sensor Replace the function module Replace the function module
Green flashing, yellow off, red on	No DHW; outlet temperature does not match set value	Air detection has responded Safety switch not activated during "Commissioning" Safety switch was triggered by high limit safety cut-out Safety switch responds again after high limit safety cut-out has been checked; high limit safety cut-out faulty Safety switch responds again; PCB faulty Short circuit in outlet sensor PCB faulty	Continue draw-off for > 1 min Activate the safety switch by firmly pressing the reset button Check high limit safety cut-out (plug-in connection, connecting cable); activate safety switch Replace high limit safety cut-out; activate safety switch and draw-off with maximum set value > 1 min Replace the function module Check outlet sensor; replace if necessary Replace the function module

15. Maintenance



WARNING Electrocutation
Before performing any work on the appliance, disconnect all poles from the power supply. This appliance contains capacitors which are discharged when disconnected from the power supply. The capacitor discharge voltage may briefly exceed 60 V DC.

15.1 Draining the appliance

The appliance can be drained for maintenance work.



WARNING Burns
Hot water may escape when you drain the appliance.

- ▶ Close the shut-off valve in the cold water inlet line.
- ▶ Open all draw-off valves.
- ▶ Undo the water connections on the appliance.
- ▶ Store the dismantled appliance free from the risk of frost, as water residues remaining inside the appliance can freeze and cause damage.

15.2 Cleaning the strainer



WARNING Burns
Hot water may escape when you drain the appliance.



Material losses
To ensure that the bare wire heating system is not damaged following an interruption to the water supply, the appliance must be recommissioned by taking the following steps.

- ▶ Disconnect the appliance from the power supply by removing the fuses/tripping the MCBs.
- ▶ Vent the appliance and the cold water inlet line (see chapter "Commissioning / Initial start-up").
- ▶ Switch on the power supply again.

The strainer in the cold water threaded fitting must be cleaned regularly.

INSTALLATION Specification

15.2.1 Cleaning the strainer, standard installation on finished walls

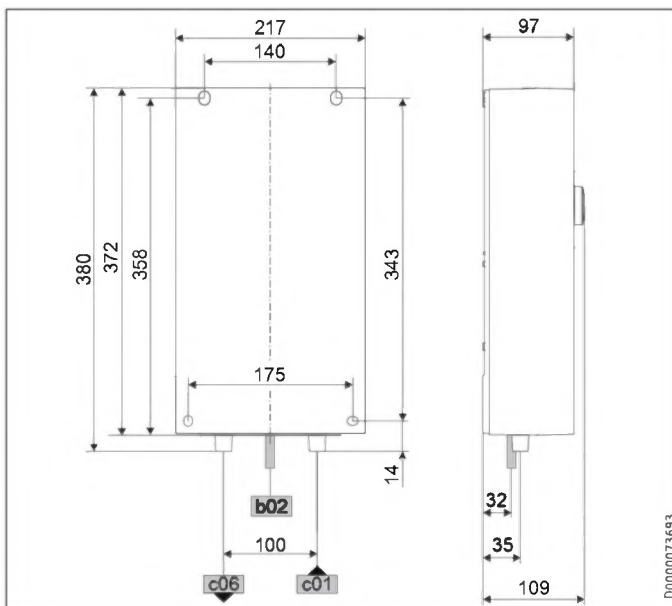
- ▶ Isolate the appliance from the power supply.
- ▶ Close the shut-off valve in the cold water inlet line.
- ▶ Open all draw-off valves.
- ▶ Remove the cold water threaded fitting.
- ▶ Remove the strainer from the twin nipple using a flat-blade screwdriver. Clean the strainer.
- ▶ Reinsert the strainer. Screw the cold water connection pipe onto the twin nipple.
- ▶ Open the shut-off valve in the cold water inlet line.
- ▶ Vent the appliance and the cold water inlet line (see chapter "Commissioning / Initial start-up").
- ▶ Switch on the power supply.

15.2.2 Cleaning the strainer, installation on unfinished walls

- ▶ Isolate the appliance from the power supply.
- ▶ Close the shut-off valve in the cold water inlet line.
- ▶ Open all draw-off valves.
- ▶ Open the appliance by undoing the screw and lifting up the appliance cover.
- ▶ Unscrew the cold water connection pipe from the twin nipple. Pivot the cold water connection pipe upwards.
- ▶ Remove the strainer from the twin nipple. Clean the strainer.
- ▶ Screw the cold water connection pipe and the strainer with sealed edge onto the twin nipple.
- ▶ Open the shut-off valve in the cold water inlet line.
- ▶ Vent the appliance and the cold water inlet line (see chapter "Commissioning / Initial start-up").
- ▶ Check the cold water connection for leaks.
- ▶ Hook the appliance cover into the appliance back panel at the top rear. Pivot the appliance cover downwards. Check that the appliance cover is securely seated both top and bottom. Secure the appliance cover with the screw.
- ▶ Switch on the power supply.

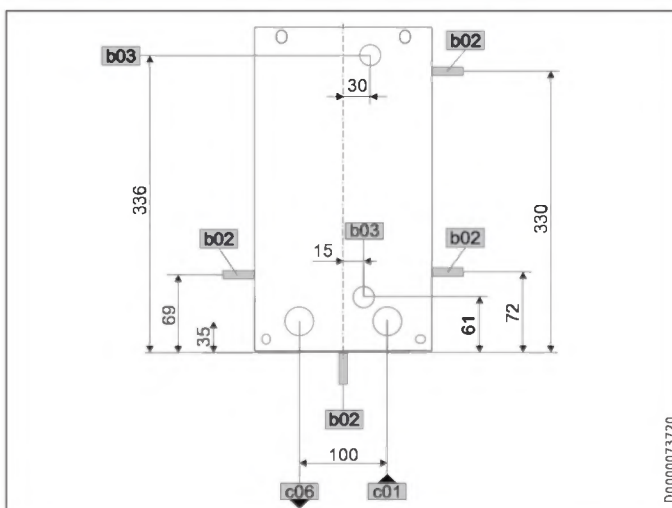
16. Specification

16.1 Dimensions and connections



		DCE-S Plus
b02	Entry for electrical cables I	Finished walls
c01	Cold water inlet	Male thread G 1/2 A
c06	DHW outlet	Male thread G 1/2 A

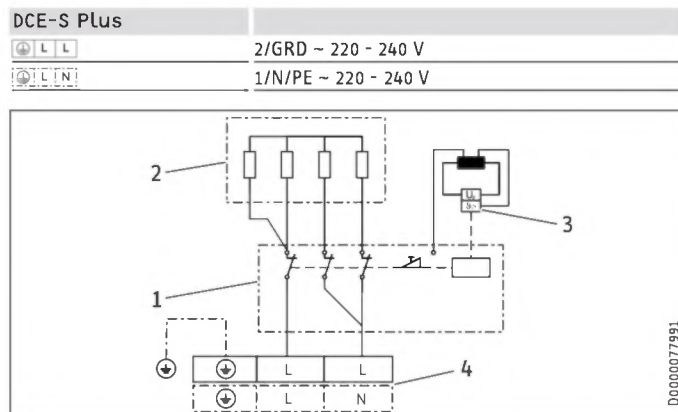
Alternative connection options



		DCE-S Plus
b02	Entry for electrical cables I	Finished walls
b03	Entry for electrical cables II	Unfinished walls
c01	Cold water inlet	Male thread G 1/2 A
c06	DHW outlet	Male thread G 1/2 A

INSTALLATION Specification

16.2 Wiring diagram



- 1 Power PCB with integral safety switch
- 2 Bare wire heating system
- 3 High limit safety cut-out
- 4 Mains terminal

16.3 DHW output

The DHW output is subject to the connected power supply, the appliance's connected load and the cold water inlet temperature. The rated voltage and rated output can be found on the type plate.

Connected load in kW		38 °C DHW output in L/min.				
Rated voltage		Cold water inlet temperature				
220 V	230 V	240 V	5 °C	10 °C	15 °C	20 °C
DCE-S 6/8 Plus						
6.0			2.6	3.1	3.7	4.8
8.0			3.5	4.1	5.0	6.3
	6.6		2.9	3.4	4.1	5.2
	8.7		3.8	4.4	5.4	6.9
		7.2	3.1	3.7	4.5	5.7
		9.6	4.2	4.9	6.0	7.6
DCE-S 10/12 Plus						
10.0			4.3	5.1	6.2	7.9
12.0			5.2	6.1	7.5	9.5
	11.0		4.8	5.6	6.8	8.7
	13.1		5.7	6.7	8.1	10.4
		12.0	5.2	6.1	7.5	9.5
		14.3	6.2	7.3	8.9	11.3

Connected load in kW		50 °C DHW output in L/min.				
Rated voltage		Cold water inlet temperature				
220 V	230 V	240 V	5 °C	10 °C	15 °C	20 °C
DCE-S 6/8 Plus						
6.0			1.9	2.1	2.4	2.9
8.0			2.5	2.9	3.3	3.8
	6.6		2.1	2.4	2.7	3.1
	8.7		2.8	3.1	3.6	4.1
		7.2	2.3	2.6	2.9	3.4
		9.6	3.0	3.4	3.9	4.6
DCE-S 10/12 Plus						
10.0			3.2	3.6	4.1	4.8
12.0			3.8	4.3	4.9	5.7
	11.0		3.5	3.9	4.5	5.2
	13.1		4.2	4.7	5.3	6.2
		12.0	3.8	4.3	4.9	5.7
		14.3	4.5	5.1	5.8	6.8

16.4 Application areas / conversion table

Electrical resistivity and electrical conductivity.

Standard specification at 15 °C			20 °C			25 °C		
Resis- tivity $\rho \geq$	Conductivity $\sigma \leq$		Resis- tivity $\rho \geq$	Conductivity $\sigma \leq$		Resis- tivity $\rho \geq$	Conductivity $\sigma \leq$	
Ωcm	mS/m	$\mu\text{S/cm}$	Ωcm	mS/m	$\mu\text{S/cm}$	Ωcm	mS/m	$\mu\text{S/cm}$
1100	91	910	970	103	1031	895	112	1117

16.5 Pressure drop

Taps

Tap pressure drop at a flow rate of 10 L/min		
Mono lever mixer tap, approx.	MPa	0.04 - 0.08
Thermostatic valve, approx.	MPa	0.03 - 0.05
Shower head, approx.	MPa	0.03 - 0.15

Sizing the pipework

When calculating the size of the pipework, an appliance pressure drop of 0.1 MPa is recommended.

16.6 Fault conditions

In the event of a fault, loads up to 80 °C at a pressure of 1.0 MPa can occur briefly in the installation.

INSTALLATION Specification

16.7 Energy consumption data

Product datasheet: Conventional water heaters to regulation (EU) no. 812/2013 and 814/2013 / (S.I. 2019 No. 539 / Schedule 2)

		DCE-S 6/8 Plus 238153	DCE-S 10/12 Plus 238154
Manufacturer		STIEBEL ELTRON	STIEBEL ELTRON
Load profile		XS	XS
Energy efficiency class		A	A
Energy conversion efficiency	%	39	39
Annual power consumption	kWh	472	474
Default temperature setting	°C	60	60
Sound power level	dB(A)	15	15
Special information on measuring efficiency		Measured with integral flow limiter, maximum output and maximum set value	Measured with integral flow limiter, maximum output and maximum set value
Daily power consumption	kWh	2.161	2.174

16.8 Data table

		DCE-S 6/8 Plus 238153			DCE-S 10/12 Plus 238154		
Electrical data							
Rated voltage	V	220	230	240	220	230	240
Rated output	kW	6.0/8.0	6.6/8.7	7.2/9.6	10.0/12.0	11.0/13.1	12.0/14.3
Rated current	A	27.3/36.4	28.5/38.0	30.0/40.0	45.5/54.5	47.8/57.0	50.0/59.6
Fuse protection	A			30/40			50/60
Frequency	Hz			50/60			50/60
Phases				1/N/PE			1/N/PE
Resistivity $\rho_{15} \geq$	Ω cm			1100			1100
Conductivity $\sigma_{15} \leq$	μ S/cm			910			910
Max. mains impedance at 50 Hz	Ω	0.0385	0.0368	0.0353	0.0257	0.0245	0.0235
Connections							
Water connection				G 1/2 A			G 1/2 A
Application limits							
Minimum supply pressure	MPa			0.18 (1.8 bar / 26 psi)			0.18 (1.8 bar / 26 psi)
Max. permissible pressure	MPa			1 (10 bar / 150 psi)			1 (10 bar / 150 psi)
Max. inlet temperature for reheating	°C			55			55
Temperature setting range	°C			20-60			20-60
Values							
Max. inlet temperature (e.g. pasteurisation)	°C			70			70
On	l/min			1.3			1.3
Flow rate at 28 K	l/min			3.1/4.1 @ 220 V			5.1/6.2 @ 220 V
Flow rate at 50 K	l/min			1.7/2.3 @ 220 V			2.9/3.5 @ 220 V
Pressure drop for flow rate at 50 K (without flow limiter)	MPa			0.01/0.01			0.02/0.03
Flow rate limit at	l/min			4			5
Hydraulic data							
Nominal capacity	l			0.277			0.277
Versions							
Type of installation				Oversink / undersink			Oversink / undersink
Adjustable connected load				X			X
Protection class				1			1
Insulating block				Plastic			Plastic
Heating system heat generator				Bare wire			Bare wire
Cover and back panel				Plastic			Plastic
Colour				White			White
IP rating				IP 25			IP 25
Dimensions							
Height	mm			372			372
Width	mm			217			217
Depth	mm			109			109
Weights							
Weight	kg			2.5			2.5



Note

The appliance conforms to IEC 61000-3-12.

Guarantee

The guarantee conditions of our German companies do not apply to appliances acquired outside of Germany. In countries where our subsidiaries sell our products a guarantee can only be issued by those subsidiaries. Such guarantee is only granted if the subsidiary has issued its own terms of guarantee. No other guarantee will be granted.

We shall not provide any guarantee for appliances acquired in countries where we have no subsidiary to sell our products. This will not affect warranties issued by any importers.

Environment and recycling

We would ask you to help protect the environment. After use, dispose of the various materials in accordance with national regulations.

REMARQUES PARTICULIÈRES

UTILISATION

1. Remarques générales	19
1.1 Consignes de sécurité	19
1.2 Autres pictogrammes utilisés dans cette documentation	19
1.3 Unités de mesure	20
2. Sécurité	20
2.1 Utilisation conforme	20
2.2 Consignes de sécurité générales	20
2.3 Label de conformité	20
3. Description de l'appareil	20
3.1 Réglage de la température de consigne	21
3.2 Réglages recommandés	21
4. Nettoyage, entretien et maintenance	21
5. Dépannage	21

INSTALLATION

6. Sécurité	22
6.1 Consignes de sécurité générales	22
6.2 Mode douche	22
6.3 Prescriptions, normes et réglementations	22
7. Description de l'appareil	22
7.1 Fourniture	22
7.2 Accessoires	22
8. Travaux préparatoires	22
8.1 Lieu d'installation	22
8.2 Distances minimales	23
8.3 Installation hydraulique	23
9. Montage	23
9.1 Montage normal en saillie	23
10. Mise en service	25
10.1 Protection interne anti-ébouillatement par mise en place de cavalier	25
10.2 Modification du réglage de puissance raccordée par déplacement du cavalier	25
10.3 Première mise en service	25
10.4 Remise en marche	26
11. Mise hors service	26
12. Variantes de pose	26
12.1 Raccordement électrique par le haut en installation encastrée	26
12.2 Raccordement électrique sous crépi par le bas	27
12.3 Raccordement électrique en cas de câble d'alimentation court	27
12.4 Raccordement électrique en saillie sur le côté	27
12.5 Installation hydraulique encastrée	27
12.6 Fonctionnement avec de l'eau préchauffée	28
13. Informations Service	28
14. Aide au dépannage	29
15. Maintenance	29
15.1 Vidange de l'appareil	29
15.2 Nettoyer le filtre	30
16. Données techniques	30
16.1 Cotes et raccords	30
16.2 Schéma électrique	31

16.3 Capacité de production d'eau chaude	31
16.4 Domaines d'utilisation / Tableau de conversion	31
16.5 Pertes de charge	31
16.6 Défaillances	31
16.7 Indications relatives à la consommation énergétique	32
16.8 Tableau de données	32

GARANTIE

PROTECTION DE L'ENVIRONNEMENT ET RECYCLAGE

REMARQUES PARTICULIÈRES

- L'appareil peut être utilisé par des enfants de 3 ans et plus ainsi que par des personnes aux facultés physiques, sensorielles ou mentales réduites ou par des personnes sans expérience, s'ils sont accompagnés ou qu'ils ont appris à l'utiliser en toute sécurité, et s'ils ont compris les dangers encourus. Ne laissez pas les enfants jouer avec l'appareil. Ne confiez pas le nettoyage ni les opérations de maintenance réservées aux utilisateurs à des enfants sans surveillance.
- En fonctionnement, la température de la robinetterie peut atteindre 70 °C. Risque de brûlure à des températures de sortie supérieures à 43 °C.
- Cet appareil convient à l'alimentation d'une douche (en mode douche). Si l'appareil est utilisé partiellement ou exclusivement pour la douche, l'installateur doit régler la plage de température à 55 °C maximum par le biais de la protection interne anti-ébouillatement. Dans le cas d'une arrivée d'eau préchauffée, il faut s'assurer que sa température ne peut pas dépasser 55 °C.
- L'appareil doit pouvoir être mis hors tension par un dispositif de coupure omnipolaire ayant une ouverture minimale des contacts de 3 mm.

- La tension indiquée doit correspondre à la tension d'alimentation.
- L'appareil doit être raccordé au conducteur de mise à la terre.
- L'appareil doit être raccordé en permanence à un câblage fixe.
- Fixez l'appareil comme indiqué dans le chapitre « Installation / Montage ».
- Respectez les limites d'utilisation (voir le chapitre « Installation / Données techniques / Tableau de données »).
- La résistance hydraulique spécifique du réseau de distribution d'eau ne doit pas être dépassée (voir le chapitre « Installation / Données techniques / Tableau de données »).
- Vidangez l'appareil comme indiqué au chapitre « Installation / Maintenance / Vidange de l'appareil ».

UTILISATION

1. Remarques générales

Les chapitres « Remarques particulières » et « Utilisation » s'adressent aux utilisateurs de l'appareil et aux installateurs.

Le chapitre « Installation » s'adresse aux installateurs.



Remarque

Lisez attentivement cette notice avant l'utilisation et conservez-la soigneusement. Le cas échéant, remettez cette notice à tout nouvel utilisateur.

1.1 Consignes de sécurité

1.1.1 Présentation des consignes de sécurité



MENTION D'AVERTISSEMENT Nature du danger
Sont indiqués ici les risques éventuellement encourus en cas de non-respect de la consigne de sécurité.

► Indique les mesures permettant de prévenir le danger.

1.1.2 Symboles, nature du danger

Symbole	Nature du danger
	Blessure
	Électrocution
	Brûlure (brûlure, ébouillantage)

1.1.3 Mentions d'avertissement

MENTION D'AVERTISSEMENT	Signification
DANGER	Caractérise des consignes dont le non-respect entraîne de graves lésions, voire la mort.
AVERTISSEMENT	Caractérise des consignes dont le non-respect peut entraîner de graves lésions, voire la mort.
ATTENTION	Caractérise des consignes dont le non-respect peut entraîner des lésions légères ou moyennement graves.

1.2 Autres pictogrammes utilisés dans cette documentation



Remarque

Le symbole ci-contre caractérise des consignes générales.
► Lisez attentivement les consignes.

Symbole	Signification
	Dommages matériels (dommages touchant à l'appareil, dommages indirects et pollution de l'environnement)
	Recyclage de l'appareil

► Ce symbole signale une action à entreprendre. Les actions nécessaires sont décrites étape par étape.

1.3 Unités de mesure

Remarque
Sauf indication contraire, toutes les cotes sont indiquées dans l'unité des millimètres.

2. Sécurité

2.1 Utilisation conforme

L'appareil sert au chauffage de l'eau sanitaire ou au chauffage d'appoint d'une eau préchauffée. L'appareil peut alimenter un ou plusieurs points de soutirage.

Lorsque la température d'arrivée d'eau maximale pour le chauffage d'appoint est dépassée, ce dernier n'est pas effectué.

L'appareil est conçu pour une utilisation domestique. Il peut être utilisé sans risque par des personnes qui ne disposent pas de connaissances techniques particulières. L'appareil peut également être utilisé dans un environnement non domestique, par exemple dans de petites entreprises, à condition que son utilisation soit du même ordre.

Tout autre emploi est considéré comme non conforme. Une utilisation conforme de l'appareil implique également le respect de cette notice et de celles des accessoires utilisés.

2.2 Consignes de sécurité générales

ATTENTION Brûlure
En fonctionnement, la température de la robinetterie peut atteindre 70 °C. Risque de brûlure à des températures de sortie supérieures à 43 °C.

ATTENTION Brûlure
Mettez en place une limitation de température permanente et non modifiable si des enfants ou des personnes aux facultés physiques, sensorielles ou mentales sont amenés à utiliser l'appareil. Demandez à l'installateur de régler la protection contre l'ébouillantage.

ATTENTION Brûlure
Tenez compte de la remarque suivante en cas de fonctionnement avec de l'eau préchauffée (installation solaire par ex.) :
La température ECS peut dépasser la température de consigne ou une limitation de température prédéfinies.
► Dans ce cas, limitez la température à l'aide d'une robinetterie thermostatique centrale installée en amont.

AVERTISSEMENT Blessure
L'appareil peut être utilisé par des enfants de 3 ans et plus ainsi que par des personnes aux facultés physiques, sensorielles ou mentales réduites ou par des personnes sans expérience, s'ils sont accompagnés ou qu'ils ont appris à l'utiliser en toute sécurité, et s'ils ont compris les dangers encourus. Ne laissez pas les enfants jouer avec l'appareil. Ne confiez pas le nettoyage ni les opérations de maintenance réservées aux utilisateurs à des enfants sans surveillance.

Dommages matériels
L'appareil et la robinetterie doivent être protégés du gel par l'utilisateur.

Remarque
Pour garantir l'indice de protection IP 25, il faut utiliser des vis à tête fraisée pour fixer l'appareil au mur.

2.3 Label de conformité

Voir la plaque signalétique sur l'appareil.

3. Description de l'appareil

L'appareil se met en marche dès que vous ouvrez le robinet d'eau chaude. Lorsque vous fermez le robinet, l'appareil s'éteint automatiquement.

L'appareil chauffe l'eau pendant qu'elle circule dans l'appareil. La température de consigne est réglable. À partir d'un certain débit, la puissance de chauffe nécessaire est régulée en fonction de la température prédéfinie et de la température de l'arrivée d'eau froide.

Le chauffe-eau instantané compact à régulation électronique permet une adaptation automatique de la puissance et maintient la température de sortie constante. et ce, indépendamment de la température d'arrivée d'eau et jusqu'à la puissance maximale de l'appareil.

Si l'appareil est alimenté avec de l'eau préchauffée et que la température d'arrivée d'eau dépasse la température définie, l'eau n'est pas chauffée.

Système de chauffe

Système de chauffe à fil nu enveloppé sous une gaine plastique résistant à la pression. Très résistant à l'entartrage, ce système de chauffe avec serpentin en acier inoxydable convient indifféremment à l'eau faiblement et fortement calcaire. Ce système de chauffe permet une alimentation en eau chaude sanitaire rapide et efficace.

Remarque
L'appareil est équipé d'un détecteur d'air qui prévient en grande partie l'endommagement du système de chauffe. Si de l'air pénètre dans l'appareil en cours de fonctionnement, la puissance de chauffe est désactivée pendant une minute de manière à protéger le système de chauffe.

Après coupure d'eau

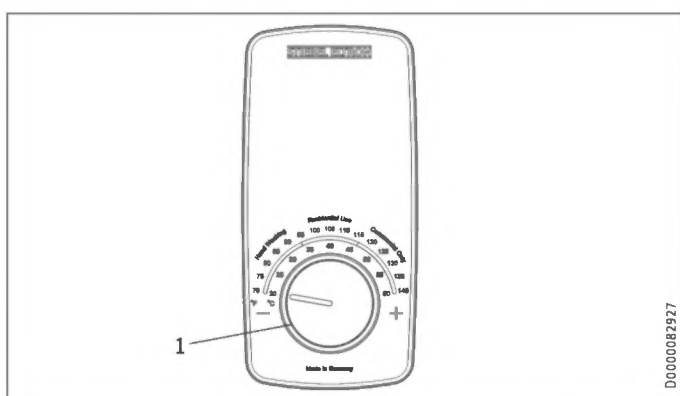


Dommages matériels

Afin d'éviter une panne du système de chauffe à fil nu après une coupure d'eau, procédez selon les étapes suivantes pour remettre l'appareil en service.

- ▶ Mettez l'appareil hors tension par le fusible ou le disjoncteur.
- ▶ Purgez l'appareil et la conduite d'arrivée d'eau froide (voir le chapitre « Installation / Mise en service / Première mise en service »).
- ▶ Remettez l'appareil sous tension.

3.1 Réglage de la température de consigne



1 Bouton de réglage de température pour le réglage de la température de consigne

3.2 Réglages recommandés

Votre chauffe-eau instantané assure un maximum de précision et de confort pour la production de l'eau chaude sanitaire. Si vous utilisez quand même l'appareil avec une robinetterie thermostatique, voici quelques recommandations :

- ▶ Réglez la consigne de température à plus de 50 °C sur l'appareil. Réglez ensuite la température de consigne souhaitée au niveau de la robinetterie thermostatique.

Économies d'énergie

Voici les réglages que nous préconisons pour une consommation minimale d'énergie :

- 38 °C pour les lavabos, douches, baignoires
- 55 °C pour les éviers

Limitation de température par protection interne contre l'ébullientement (installateur)

Si l'utilisateur le désire, l'installateur peut régler une limitation de température permanente, par exemple dans les maternelles, les hôpitaux etc.

Pour l'alimentation d'une douche, l'installateur doit limiter la plage de réglage de température dans l'appareil à 55 °C ou une valeur inférieure.

Cette limitation évite que de l'eau ne sorte de l'appareil à des températures pouvant causer des brûlures.

Réglage préconisé en cas d'utilisation d'une robinetterie thermostatique et d'eau préchauffée par une installation solaire

- ▶ Réglez la température au maximum sur l'appareil.

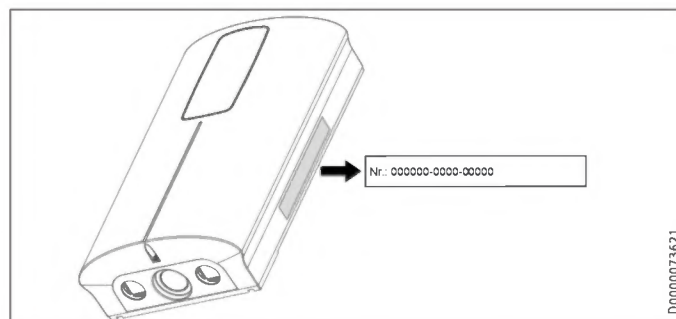
4. Nettoyage, entretien et maintenance

- ▶ N'utilisez aucun produit de nettoyage abrasif ou corrosif. Un chiffon humide suffit pour le nettoyage et l'entretien de l'appareil.
- ▶ Contrôlez régulièrement les robinetteries. Vous pouvez éliminer le tartre au niveau des becs de robinetterie avec les produits de détartrage du commerce.

5. Dépannage

Problème	Cause	Remède
L'appareil ne démarre pas bien que le robinet d'eau chaude soit entièrement ouvert.	L'appareil n'est pas sous tension.	Contrôlez les disjoncteurs de l'installation domestique.
	Le mousseur placé dans la robinetterie ou la pomme de douche sont entartrés ou encrassés.	Nettoyez et/ou détartré le mousseur ou la pomme de douche.
	L'alimentation en eau est coupée.	Purgez l'appareil et l'arrivée d'eau froide (voir le chapitre « Installation / Mise en service / Première mise en service »).
De l'eau froide s'écoule temporairement pendant le soutirage d'eau chaude sanitaire.	Le détecteur d'air trouve de l'air dans l'eau. Il coupe brièvement la puissance de chauffe.	Après 1 minute, l'appareil se remet automatiquement en marche.
Des bruits d'ébullition se produisent en cours de fonctionnement.	L'appareil n'est pas purgé.	Purgez l'appareil (voir le chapitre « Installation / Mise en service / Première mise en service »).
	La pression d'alimentation est trop faible.	Assurez-vous que la pression d'alimentation minimum est atteinte (voir le chapitre « Installation / Données techniques / Tableau de données »).
La température souhaitée ne peut pas être réglée.	La protection anti-ébullient interne est activée.	Seul l'installateur peut modifier la protection interne anti-ébullientement.

Appelez votre installateur si vous ne réussissez pas à résoudre le problème. Pour obtenir une aide efficace et rapide, communiquez-lui le numéro indiqué sur la plaque signalétique (000000-0000-000000).



INSTALLATION

6. Sécurité

L'installation, la mise en service, la maintenance et les réparations de cet appareil doivent exclusivement être confiées à un installateur.

6.1 Consignes de sécurité générales

Nous garantissons le bon fonctionnement et la sécurité de fonctionnement de l'appareil uniquement si les accessoires et pièces de rechange utilisés sont d'origine.



Dommages matériels

Tenez compte de la température maximale d'arrivée d'eau. L'appareil peut subir des détériorations en cas de températures trop élevées. L'installation d'une robinetterie thermostatique centralisée permet de limiter la température maximale d'arrivée d'eau.



AVERTISSEMENT Électrocution

Cet appareil contient des condensateurs qui se déchargent après la mise hors tension. La tension de décharge des condensateurs peut dépasser temporairement 60 V CC.

6.2 Mode douche



ATTENTION Brûlure

► En cas d'alimentation d'une douche, réglez la protection interne contre l'ébullition sur 55 °C ou sur une valeur inférieure, voir chapitre « Mise en service / Préparations ».



ATTENTION Brûlure

Tenez compte de la remarque suivante en cas de fonctionnement avec de l'eau préchauffée (installation solaire par ex.) :

La température ECS peut dépasser la température de consigne ou une limitation de température prédéfinies.

► Dans ce cas, limitez la température à l'aide d'une robinetterie thermostatique centrale installée en amont.

6.3 Prescriptions, normes et réglementations



Remarque

Respectez toutes les prescriptions et réglementations nationales et locales en vigueur.

- L'indice de protection IP 25 (protégé contre les jets d'eau) n'est garanti que si le passe-câble est correctement monté et que des vis à tête fraisée de Ø 4,5 mm dont le diamètre max. de la tête est de 9 mm sont utilisées.

- La résistance électrique spécifique de l'eau ne doit pas être inférieure à celle indiquée sur la plaque signalétique. Pour les réseaux hydrauliques interconnectés, tenez compte de la plus faible résistance électrique de l'eau. Votre société distributrice est en mesure de délivrer les informations relatives à la résistance électrique spécifique ou à la conductivité électrique de l'eau.

7. Description de l'appareil

7.1 Fourniture

Sont fournis avec l'appareil :

- 2 manchons doubles 45°
- 2 joints plats
- 2 joints toriques
- Passe-câble
- Filtre
- Limiteur de débit
- Cavalier enfiché pour la protection anti-ébullition
- Cavalier enfiché pour la commutation de puissance

7.2 Accessoires

Kit de montage pour installation hydraulique encastrée (200016 - UP-Kit EU)

Le kit de montage pour l'installation hydraulique encastrée comprend :

- 2 douilles pour étanchéifier les ouvertures de la paroi arrière de l'appareil.
- Filtre avec joint périphérique à installer dans le manchon double 45°.
- Joint plat

8. Travaux préparatoires

8.1 Lieu d'installation



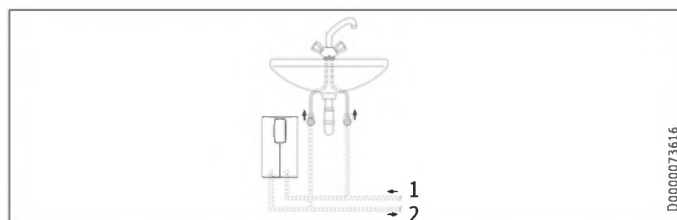
Dommages matériels

L'appareil doit impérativement être installé dans un local hors gel.

- Posez l'appareil verticalement à proximité du point de soutirage.

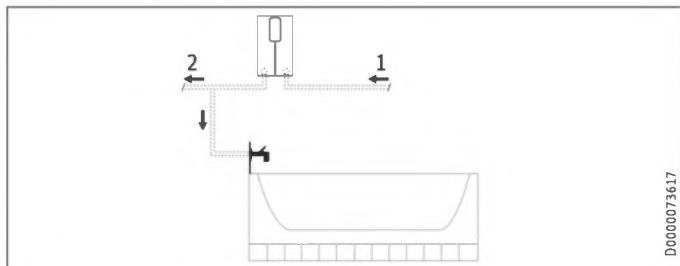
L'appareil convient au montage sous ou sur évier.

Montage sous évier



- 1 Arrivée eau froide
- 2 Sortie eau chaude

Montage sur l'évier



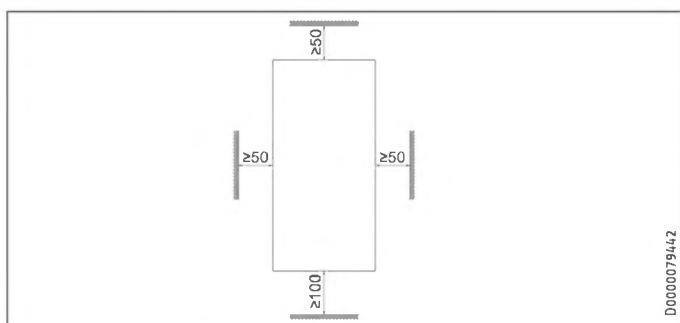
- 1 Arrivée eau froide
- 2 Sortie eau chaude



Remarque

► Montez l'appareil en affleurement avec le mur. Le mur doit être suffisamment porteur.

8.2 Distances minimales



► Respectez les distances minimales de sorte à assurer un fonctionnement sans incident et à faciliter les travaux de maintenance.

8.3 Installation hydraulique



Dommages matériels

Exécutez tous les travaux de raccordement et d'installation hydrauliques suivant les prescriptions.

► Rincez soigneusement la conduite d'eau.

Robinetteries

Utilisez une robinetterie sous pression adaptée. Les robinetteries à écoulement libre ne sont pas autorisées.

Matériaux autorisés pour les conduites d'eau

- Conduite d'alimentation en eau froide : tube en acier galvanisé, en inox, en cuivre ou en matière synthétique
- Conduite de sortie d'eau chaude sanitaire : tube en inox, en cuivre ou en matière synthétique



Dommages matériels

Dans le cas d'une installation à tuyauterie en matière synthétique, tenez compte de la température et de la pression maximale admissibles de l'arrivée d'eau.

Débit volumique

- Assurez-vous que le débit volumique nécessaire à la mise en marche de l'appareil est atteint.
- Si le débit volumique est insuffisant alors que le robinet de soutirage est entièrement ouvert, retirez le limiteur de débit présent sur la conduite d'eau froide.

Le cas échéant, vous pouvez également augmenter la pression dans l'installation hydraulique.

9. Montage

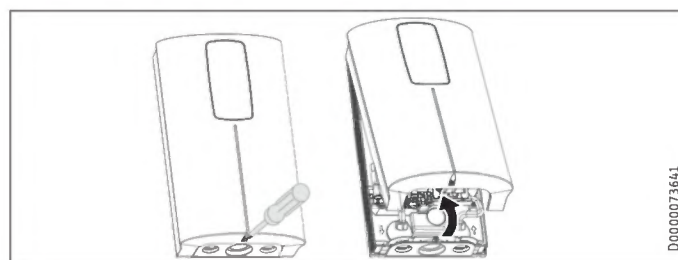
Réglages d'usine	DCE-S 6/8 Plus	DCE-S 10/12 Plus
Protection interne anti-ébouillamment en °C	60	60
Puissance raccordée en kW	à 220 V	8,0
	à 230 V	8,7
	à 240 V	9,6

Pose standard	DCE-S 6/8 Plus	DCE-S 10/12 Plus
Raccordement électrique par le dessous, installation en saillie	x	x
Raccordement hydraulique en installation en saillie	x	x

Pour les autres possibilités de pose, voir le chapitre « Variantes de pose ».

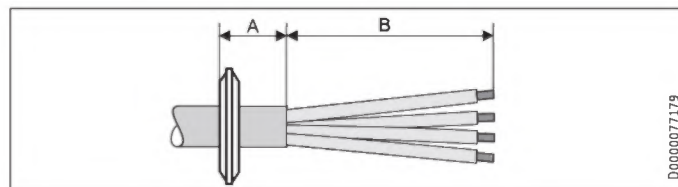
9.1 Montage normal en saillie

Ouvrir l'appareil



► Ouvrez l'appareil ; pour ce faire, dévissez la vis et faites pivoter le capot.

Préparation du câble d'alimentation



► Dénudez le câble d'alimentation.

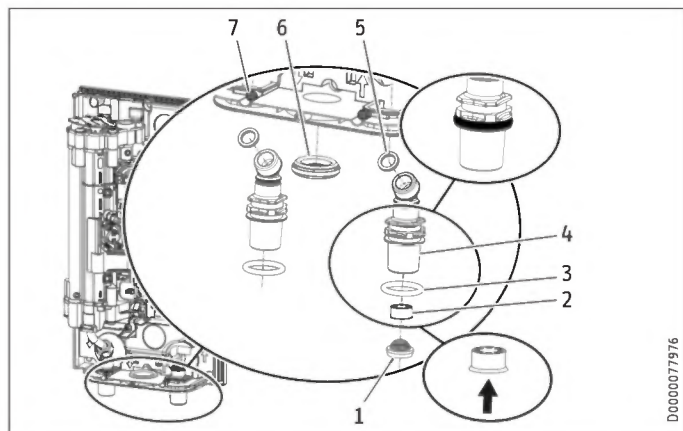
Position en saillie	Cote A	Cote B
en bas, au milieu	30	120
en bas, côté gauche de l'appareil	20	90
en bas, côté droit de l'appareil	20	90
en haut, côté droit de l'appareil	20	80

INSTALLATION

Montage

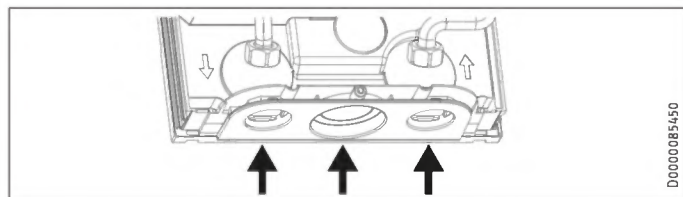
Position encastrée	Cote A	Cote B
en bas	20	90
en haut	20	80

Travaux préparatoires



- 1 Filtre
- 2 Limiteur de débit
- 3 Joints toriques
- 4 Manchon double 45°
- 5 Joints plats
- 6 Passe-câble
- 7 Vis de fixation

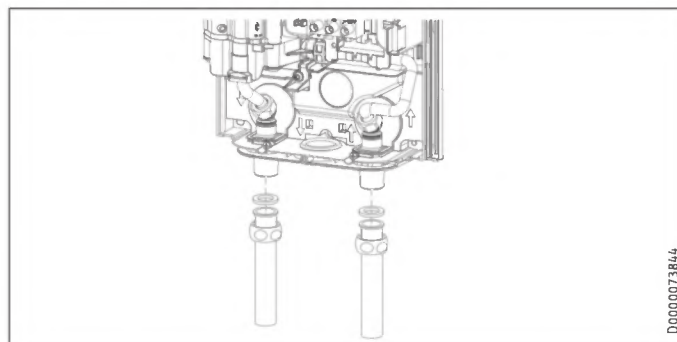
► Desserrez les vis de fixation.



- Perforez/rompez les traversées nécessaires le long des marques pour faire passer le câble d'alimentation et les manchons doubles par la paroi arrière de l'appareil. Utilisez pour cela un outil plat adapté. Ébarbez les arêtes vives avec une lime.
- Retirez les capuchons de transport montés sur les conduites de raccordement hydraulique.
- Pratiquez un trou dans le passe-câble correspondant au câble de raccordement sélectionné. Montez le passe-câble.
- Montez les joints toriques dans la rainure des manchons doubles.
- Insérez les manchons doubles dans les ouvertures de la paroi arrière de l'appareil et montez-les avec les joints plats sur les conduites de raccordement de l'appareil (couple de serrage 8 Nm).
- Fixez les manchons doubles en place à l'aide des vis de fixation.
- Montez le limiteur de débit et le filtre dans les manchons doubles du raccordement pour l'eau froide. Tenez compte de l'orientation du limiteur de débit.

Pose de l'appareil

- Sur la paroi arrière de l'appareil, perforez/rompez les trous oblongs inférieurs (écartement de 175 mm) pour fixer l'appareil (pour les positions, voir le chapitre « Données techniques / Cotes et raccords »). Les deux trous de fixation supérieurs sont déjà ouverts.
- Repérez les 4 positions de trous en vous aidant de la paroi arrière de l'appareil comme gabarit.
- Percez les trous, puis fixez l'appareil à l'aide du matériel de fixation adéquat (vis et chevilles non comprises dans la fourniture) : Vis à tête conique Ø 4,5 mm d'un diamètre de tête max. de 9 mm.



- Installez une robinetterie sous pression appropriée.
- Vissez les conduites de raccordement hydraulique de la robinetterie (non fournie) sur les manchons doubles avec les joints plats.
- Ouvrez le robinet d'arrêt de la conduite d'arrivée d'eau froide.

Réalisation du raccordement électrique



AVERTISSEMENT Électrocution
Exécutez tous les travaux de raccordement et d'installation électriques conformément aux prescriptions.



AVERTISSEMENT Électrocution
Le raccordement au secteur n'est autorisé que sous forme d'une connexion fixe réalisée en liaison avec le passe-câble amovible. L'appareil doit pouvoir être mis hors tension par un dispositif de coupure omnipolaire ayant une ouverture minimale des contacts de 3 mm.



AVERTISSEMENT Électrocution
Veillez à ce que l'appareil soit raccordé au conducteur de mise à la terre.

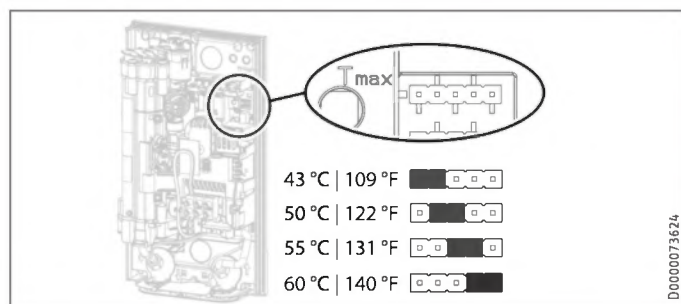


Dommages matériels
Respectez les indications de la plaque signalétique. La tension nominale indiquée doit correspondre à la tension d'alimentation électrique.

- Insérez le câble d'alimentation dans le passe-câble.
- Branchez le câble d'alimentation sur le bornier de raccordement au secteur (voir chapitre « Installation / Données techniques / Schéma électrique »).

10. Mise en service

10.1 Protection interne anti-ébullantement par mise en place de cavalier



- Placez le cavalier à la position souhaitée sur la barrette « T_{max} ».

Position cavalier	Description
43 °C 109 °F	par exemple dans les maternelles, les hôpitaux, etc.
50 °C 122 °F	
55 °C 131 °F	max. pour le mode douche
60 °C 140 °F	Réglage d'usine
sans cavalier	Limite 43 °C 109 °F



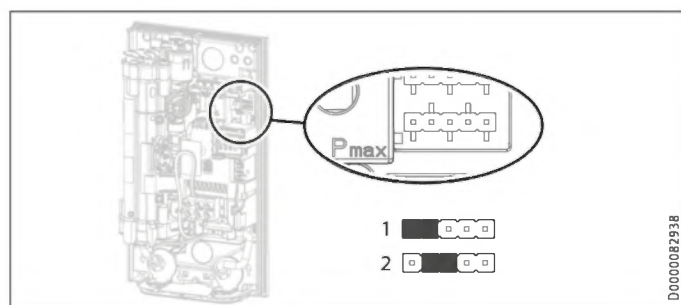
ATTENTION Brûlure

Lors du fonctionnement avec de l'eau préchauffée, par ex. en cas d'utilisation d'une installation solaire, il est possible que la protection interne contre l'ébullantement soit dépassée.

- Dans ce cas, limitez la température à l'aide d'une robinetterie thermostatique centrale installée en amont.

10.2 Modification du réglage de puissance raccordée par déplacement du cavalier

Si vous sélectionnez pour l'appareil une autre puissance de raccordement que celle réglée en usine, vous devez permuter le cavalier.

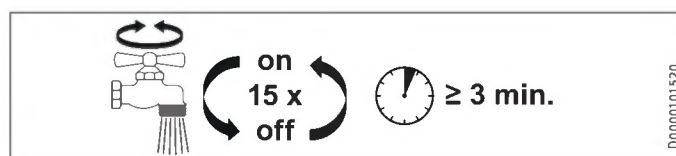


- Placez le cavalier à la position souhaitée sur la barrette « P_{max} ».

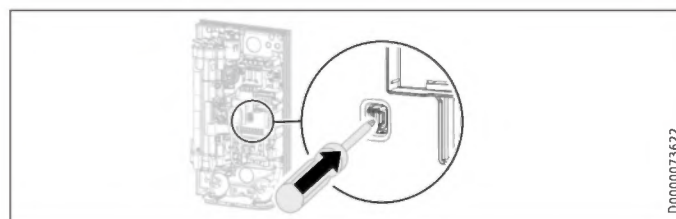
Position cavalier	Puissance de raccordement	DCE-S Plus	
		6/8 Plus	10/12 Plus
1 [low]	à 220 V	6,0 kW	10,0 kW
	à 230 V	6,6 kW	11,0 kW
	à 240 V	7,2 kW	12,0 kW
2 [high]	à 220 V	8,0 kW	12,0 kW
	Réglage d'usine	à 230 V	8,7 kW
sans cavalier [low]	à 240 V	9,6 kW	14,3 kW
	à 220 V	6,0 kW	10,0 kW
	à 230 V	6,6 kW	11,0 kW
	à 240 V	7,2 kW	12,0 kW

10.3 Première mise en service

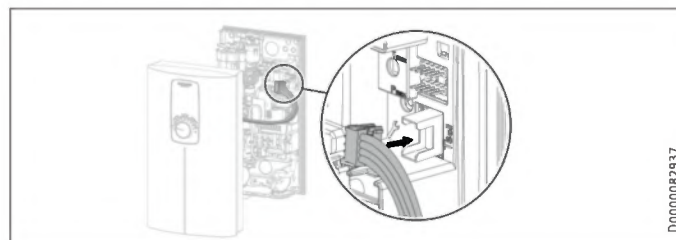
- Cochez la puissance raccordée choisie sur la plaque signalétique. Utilisez un stylo à bille.



- Ouvrez et fermez 15 fois en l'espace de 3 minutes au moins tous les robinets de soutirage raccordés jusqu'à ce que la tuyauterie et l'appareil soient purgés. Purguez la conduite d'alimentation en eau froide et l'appareil à un débit d'au moins 3,5 l/min.
- Effectuez un contrôle d'étanchéité.



- Armez l'interrupteur de sécurité en enfonçant le bouton de réinitialisation à fond (à la livraison, l'interrupteur de sécurité est désactivé).

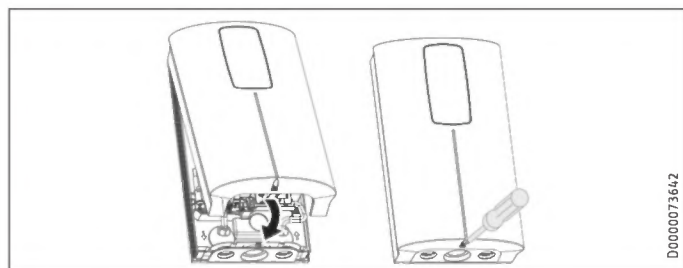


- Branchez le connecteur du câble de raccordement de l'unité de commande au système électronique.



Remarque

Enfichez impérativement le câble de raccordement de l'unité de commande sur la platine électronique avant de mettre sous tension. Sinon, l'unité de commande ne sera pas fonctionnelle.



D0000073642

- ▶ Accrochez le capot de l'appareil à la partie supérieure de la paroi arrière de l'appareil. Basculez le capot vers le bas. Vérifiez que le capot est bien fixé en haut et en bas.
- ▶ Fixez le capot à l'aide de la vis.
- ▶ Retirez le film de protection de l'interface utilisateur.



on

D0000053281

- ▶ Mettez l'alimentation électrique sous tension.
- ▶ Assurez-vous que l'unité de commande fonctionne correctement.



D0000084891

- ▶ Tournez le bouton de réglage de température jusqu'en butée à gauche et à droite.

10.3.1 Remise de l'appareil au client

- ▶ Expliquez les différentes fonctions de l'appareil à l'utilisateur, puis familiarisez-le avec son utilisation.
- ▶ Indiquez à l'utilisateur les risques encourus, notamment les risques de brûlures.
- ▶ Remettez la notice.

10.4 Remise en marche



Dommages matériels

Afin d'éviter une panne du système de chauffe à fil nu après une coupure d'eau, procédez selon les étapes suivantes pour remettre l'appareil en service.

- ▶ Mettez l'appareil hors tension par le fusible ou le disjoncteur.
- ▶ Purgez l'appareil et la conduite d'arrivée d'eau froide (voir le chapitre « Mise en service / Première mise en service »).
- ▶ Remettez l'appareil sous tension.

11. Mise hors service

- ▶ Débranchez tous les pôles de l'appareil raccordés au secteur.
- ▶ Vidangez l'appareil (voir le chapitre « Maintenance / Vidange de l'appareil »).

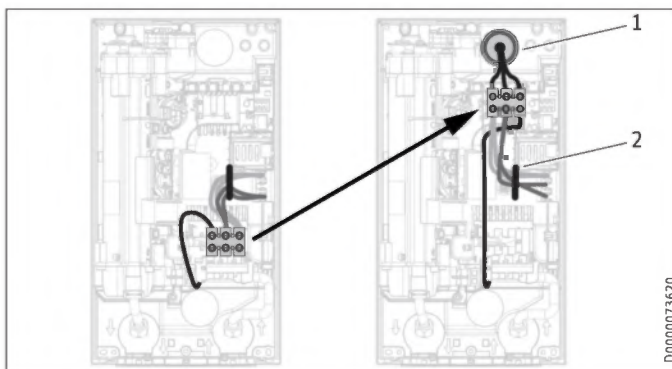
12. Variantes de pose



AVERTISSEMENT Électrocution

Avant toute intervention, débranchez l'appareil sur tous les pôles.

12.1 Raccordement électrique par le haut en installation encastrée



D0000073620

- 1 Passe-câble
- 2 Câblage

- ▶ Dans la paroi arrière, rompez la traversée nécessaire pour le câble d'alimentation (pour les positions, voir le chapitre « Données techniques / Cotes et raccords »). Ébarbez les arêtes vives avec une lime.
- ▶ Pratiquez un trou dans le passe-câble correspondant au câble de raccordement sélectionné. Montez le passe-câble.
- ▶ Déplacez le bornier de raccordement au secteur du bas vers le haut. Pour ce faire, dégagez le bornier de raccordement au secteur en poussant ce dernier avec force vers la gauche, puis en le sortant par l'avant. Faites pivoter le bornier de l'alimentation muni des câbles d'un demi-tour dans le sens horaire. Réalisez le câblage interne sous le passe-câble. Encliquetez le bornier de raccordement au secteur en l'enfonçant, puis en le poussant vers la gauche jusqu'à ce qu'il s'encliquette.
- ▶ Montez l'appareil et raccordez le câble d'alimentation au bornier de raccordement au secteur comme décrit au chapitre « Montage / Montage normal en saillie ».

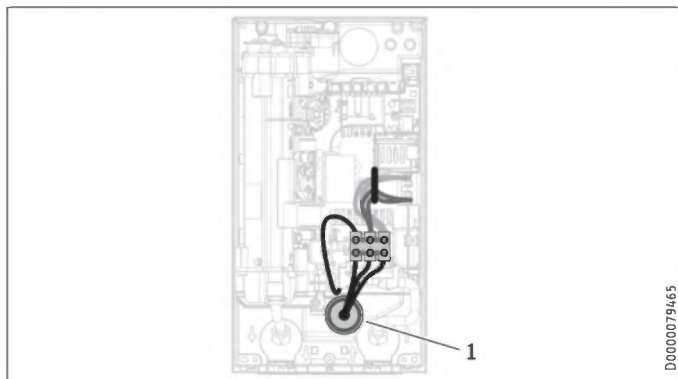


Remarque

Démontage du bornier de raccordement au secteur supérieur :

- ▶ Débloquez le crochet d'arrêt du côté droit à l'aide d'un tournevis.

12.2 Raccordement électrique sous crépi par le bas

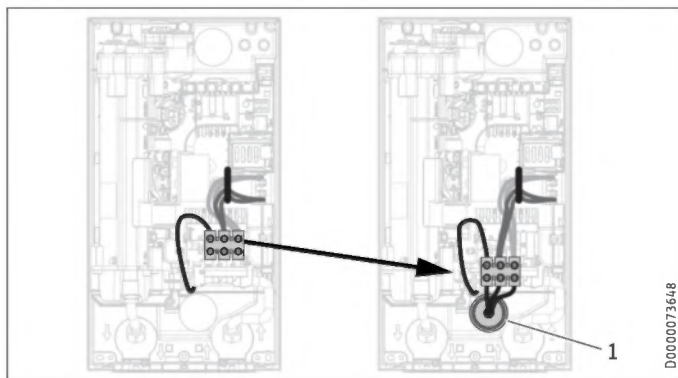


1 Passe-câble

- ▶ Dans la paroi arrière, rompez la traversée nécessaire pour le câble d'alimentation (pour les positions, voir le chapitre « Données techniques / Cotes et raccords »). Ébarbez les arêtes vives avec une lime.
- ▶ Pratiquez un trou dans le passe-câble correspondant au câble de raccordement sélectionné. Montez le passe-câble.
- ▶ Montez l'appareil et raccordez le câble d'alimentation au bornier de raccordement au secteur comme décrit au chapitre « Montage / Montage normal en saillie ».

12.3 Raccordement électrique en cas de câble d'alimentation court

Si le câble d'alimentation est trop court, vous pouvez rapprocher le bornier de raccordement au secteur à l'ouverture de passage dans l'appareil.



1 Passe-câble

- ▶ Déplacez le bornier de raccordement au secteur du haut vers le bas. Pour ce faire, dégagez le bornier de raccordement au secteur en poussant ce dernier avec force vers la gauche, puis en le sortant par l'avant. Encliquez en bas le bornier de raccordement au secteur en l'enfonçant puis en le poussant vers la gauche jusqu'à ce qu'il s'encliquette.

12.4 Raccordement électrique en saillie sur le côté

- ▶ Dans la paroi arrière et le capot, sciez et rompez la traversée nécessaire pour le câble d'alimentation (pour les positions, voir le chapitre « Données techniques / Cotes et raccords »). Ébarbez les arêtes vives avec une lime.
- ▶ Montez l'appareil et raccordez le câble d'alimentation au bornier de raccordement au secteur comme décrit au chapitre « Montage / Montage normal en saillie ».

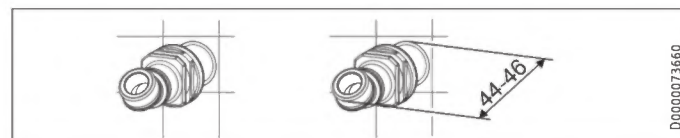
12.5 Installation hydraulique encastrée

Cette installation nécessite des accessoires appropriés. Le kit de montage « Installation hydraulique encastrée » comprend :

- 2 douilles pour étanchéifier les ouvertures de la paroi arrière de l'appareil.
- Filtre avec joint périphérique à installer dans le manchon double 45°.
- Joint plat

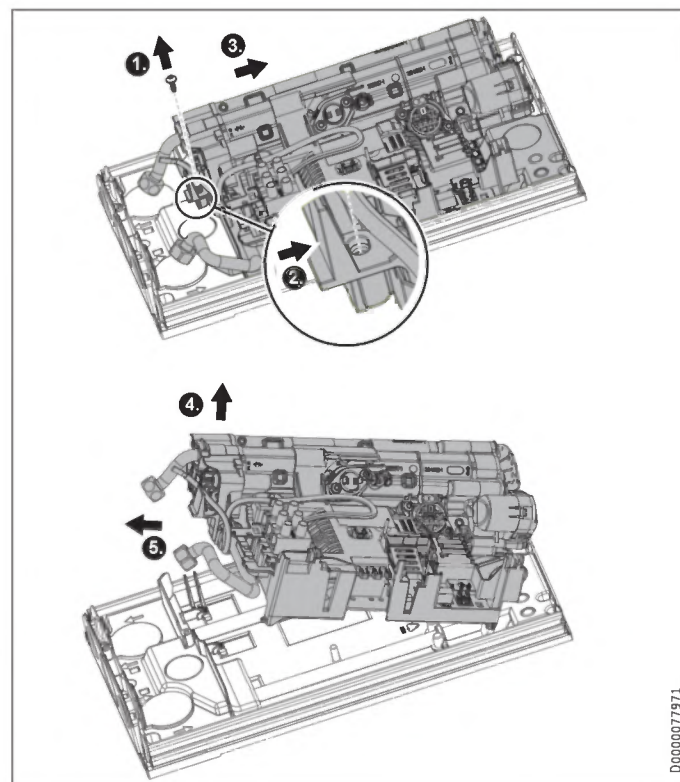
En outre, vous aurez besoin du limiteur de débit fourni avec l'appareil.

Travaux préparatoires



- ▶ Vissez les manchons doubles 45° avec les joints.

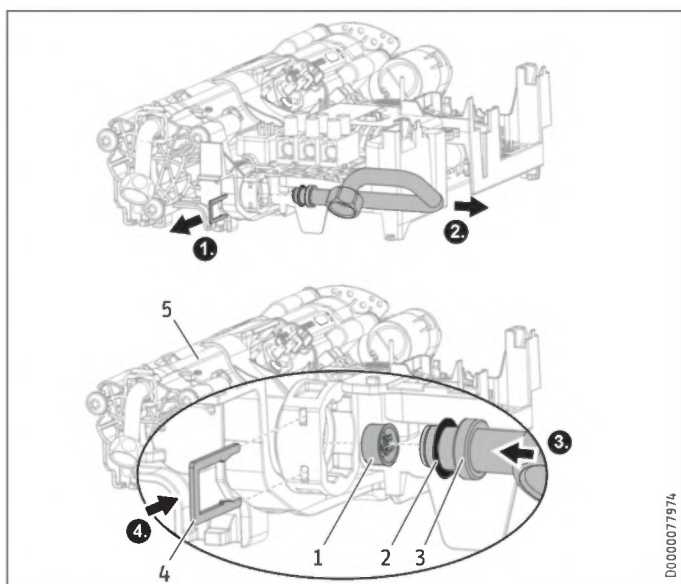
Pour perforer les passages dans la paroi arrière de l'appareil, vous devez démonter le sous-groupe fonctionnel de la paroi arrière de l'appareil.



- ▶ Dévissez la vis et déverrouillez le crochet d'arrêt.
- ▶ Poussez légèrement vers l'arrière le module fonctionnel dans la paroi arrière.
- ▶ Soulevez le module fonctionnel pour l'extraire de la paroi arrière en le tirant légèrement vers l'avant.
- ▶ Dans la paroi arrière de l'appareil, percez/rompez les passages nécessaires pour les raccords hydrauliques (pour les positions, voir le chapitre « Données techniques / Cotes et raccords »). Ébarbez les arêtes vives avec une lime.

INSTALLATION

Informations Service



- 1 Limiteur de débit
- 2 Joint torique
- 3 Coude eau froide avec épaulement pour agrafe de sécurité
- 4 Agrafe de sécurité
- 5 Système de chauffe

- ▶ Démontez le coude d'eau froide et le joint torique.
- ▶ Montez le limiteur de débit (fourni avec l'appareil) dans l'arrivée d'eau froide du système de chauffe. Faites attention à l'orientation.
- ▶ Montez le coude d'eau froide et le joint torique.



Dommages matériels

Le joint torique doit être en place pour garantir l'étanchéité de l'appareil.

- ▶ Lors du montage, assurez-vous de la présence du joint torique.

- ▶ Fixez le coude d'eau froide à l'aide de l'agrafe de sécurité.

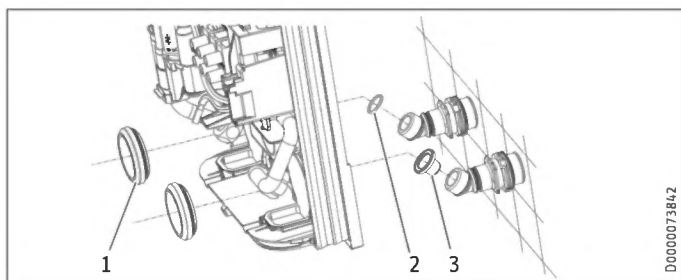


Dommages matériels

Veillez à ce que l'agrafe de sécurité soit positionnée derrière l'épaulement du coude de tuyau et que ce dernier soit fixé en position.

- ▶ Remontez le module fonctionnel dans l'ordre inverse dans la paroi arrière de l'appareil jusqu'à ce qu'il s'encliquette.
- ▶ Fixez le sous-groupe fonctionnel à l'aide de la vis.

Pose de l'appareil



- 1 Douilles
- 2 Joint plat
- 3 Filtre avec joint périphérique

- ▶ Repérez les 2 positions de trous dans la partie supérieure de la paroi arrière en vous aidant de la paroi arrière de l'appareil comme gabarit.
- ▶ Montez les douilles dans la paroi arrière de l'appareil depuis la face avant.
- ▶ Percez les trous, puis fixez l'appareil à l'aide du matériel de fixation adéquat (vis et chevilles non comprises dans la fourniture) : Vis à tête conique Ø 4,5 mm d'un diamètre de tête max. de 9 mm.



Remarque

- ▶ Montez l'appareil en affleurement avec le mur. Le cas échéant, fixez l'appareil en plus au niveau des deux points de fixation inférieurs. Sur la paroi arrière de l'appareil, percez/rompez les trous oblongs inférieurs selon un écartement de 175 mm (pour les positions, voir le chapitre « Données techniques / Cotes et raccords »).

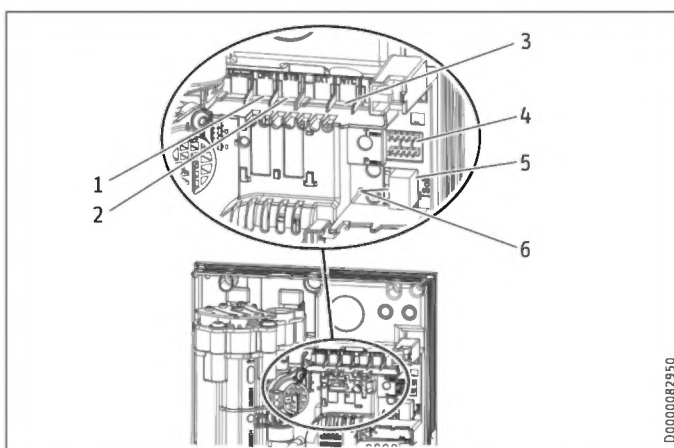
- ▶ Retirez les capuchons de transport montés sur les conduites de raccordement hydraulique.
- ▶ Vissez la conduite de raccordement d'eau chaude avec un joint plat et la conduite d'eau froide avec le filtre à joint périphérique (fourni) sur le manchon double.

12.6 Fonctionnement avec de l'eau préchauffée

Le montage d'une robinetterie thermostatique centralisée limite la température maximale d'arrivée d'eau.

13. Informations Service

Aperçu des raccords / des divers éléments



- 1 Dispositif de mesure du débit
- 2 Limiteur de sécurité à réarmement automatique
- 3 Sonde NTC
- 4 Barrettes à broches pour la puissance de raccordement et la protection anti-ébullition
- 5 Position d'emboîtement unité de commande
- 6 Témoins de diagnostic

14. Aide au dépannage



AVERTISSEMENT Électrocution
Pour pouvoir contrôler l'appareil, celui-ci doit être sous tension.



Remarque
Le contrôle de l'appareil à l'aide du voyant de diagnostic doit être effectué quand l'eau s'écoule.

Possibilités d'affichage des voyants de diagnostic (DEL)

	rouge	allumé en cas de défaut
	jaune	allumé en mode de chauffage / clignote lorsque la limite de puissance est atteinte
	vert	clignotant : appareil raccordé au secteur

Témoins de diagnostic (mode soutirage)	Défaut	Cause	Remède
Aucune DEL n'est allumée	L'appareil ne chauffe pas	Une ou plusieurs phases de la tension secteur sont absentes Système électronique défectueux	Vérifier les disjoncteurs de l'installation domestique Remplacer le module fonctionnel
Vert clignotant, jaune éteint, rouge éteint	Pas d'eau chaude sanitaire	Le débit d'enclenchement de l'appareil n'est pas atteint, pomme de douche/mousseur entartré(e) Le débit d'enclenchement de l'appareil n'est pas atteint, filtre de l'arrivée d'eau froide encrassé Détecteur de débit pas en place Détecteur de débit défectueux ou encrassé Système électronique défectueux	Détartrer/remplacer la pomme de douche/le mousseur Nettoyer le filtre Contrôler et si nécessaire rectifier le raccord enfichable Remplacer le détecteur de débit Remplacer le module fonctionnel
Vert clignotant, jaune allumé, rouge éteint	Pas d'eau chaude, la température de sortie ne correspond pas à la valeur de consigne	Robinetterie défectueuse Unité de commande connectée à l'électronique après la mise sous tension secteur Sonde de sortie défectueuse Système de chauffage défectueux Système électronique défectueux	Remplacer la robinetterie Déclencher les disjoncteurs de l'installation domestique et les ré-enclencher Remplacer la sonde de sortie Remplacer le module fonctionnel Remplacer le module fonctionnel
Vert clignotant, jaune éteint, rouge allumé	Pas d'eau chaude, la température de sortie ne correspond pas à la valeur de consigne	Le détecteur d'air s'est déclenché Interrupteur de sécurité pas activé à la première mise en service L'interrupteur de sécurité a été déclenché par le limiteur de sécurité L'interrupteur de sécurité se déclenche à nouveau après le contrôle du limiteur de sécurité, le limiteur de sécurité est défectueux L'interrupteur de sécurité se déclenche à nouveau, système électronique défectueux Sonde de sortie en court-circuit Système électronique défectueux	Continuer le soutirage pendant > 1 min Activer l'interrupteur de sécurité ; pour ce faire, appuyer fermement sur la touche de réinitialisation Contrôler le limiteur de sécurité (raccord enfichable, câble de raccordement), activer l'interrupteur de sécurité Remplacer le limiteur de sécurité, activer l'interrupteur de sécurité et soutirage à la valeur de consigne maximale > 1 min Remplacer le module fonctionnel Contrôler et si nécessaire remplacer la sonde de sortie Remplacer le module fonctionnel

15. Maintenance



AVERTISSEMENT Électrocution
Avant toute intervention, débranchez l'appareil sur tous les pôles.
Cet appareil contient des condensateurs qui se déchargent après la mise hors tension. La tension de décharge des condensateurs peut dépasser temporairement 60 V CC.

15.1 Vidange de l'appareil

Vous pouvez vidanger l'appareil pour les travaux de maintenance.



AVERTISSEMENT Brûlure
Lors de la vidange de l'appareil, de l'eau brûlante peut s'écouler.

- ▶ Fermez le robinet d'arrêt de l'arrivée d'eau froide.
- ▶ Ouvrez tous les robinets de soutirage.
- ▶ Desserrez les raccords hydrauliques de l'appareil.
- ▶ Veillez à protéger du gel tout appareil déposé, car celui-ci contient encore de l'eau pouvant geler et provoquer des dommages.

15.2 Nettoyer le filtre



AVERTISSEMENT Brûlure

Lors de la vidange de l'appareil, de l'eau brûlante peut s'en échapper.



Domages matériels

Afin d'éviter la destruction du système de chauffe à fil nu après une coupure d'eau, procédez selon les étapes suivantes pour remettre l'appareil en service.

- ▶ Mettez l'appareil hors tension à l'aide du fusible ou du disjoncteur.
- ▶ Purgez l'appareil et la conduite d'arrivée d'eau froide (voir le chapitre « Mise en service / Première mise en service »).
- ▶ Remettez l'appareil sous tension.

Le filtre dans le raccord vissé de l'arrivée d'eau froide doit être nettoyé régulièrement.

15.2.1 Nettoyage du filtre, montage standard en saillie

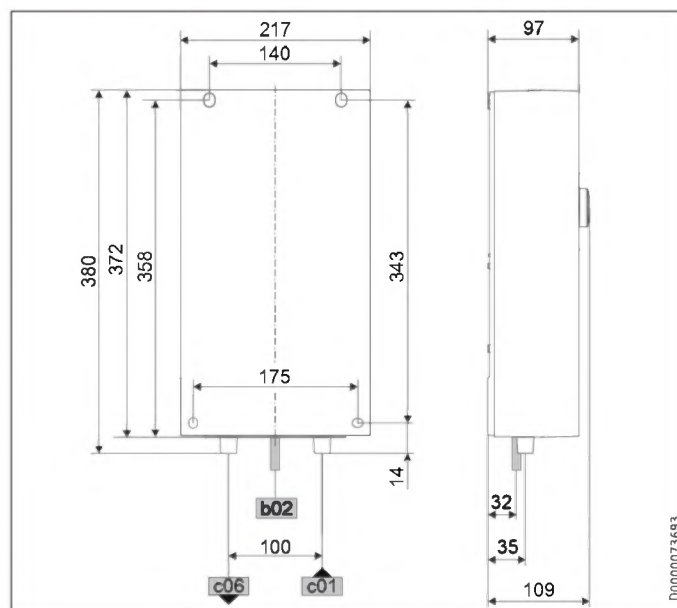
- ▶ Mettez l'appareil hors tension.
- ▶ Fermez le robinet d'arrêt de l'arrivée d'eau froide.
- ▶ Ouvrez tous les robinets de soutirage.
- ▶ Démontez le raccord vissé de l'arrivée d'eau froide.
- ▶ Retirez le filtre du manchon double à l'aide d'un tournevis plat. Nettoyez le filtre.
- ▶ Remettez le filtre en place. Vissez la conduite de raccordement d'eau froide sur le manchon double.
- ▶ Ouvrez le robinet d'arrêt de la conduite d'arrivée d'eau froide.
- ▶ Purgez l'appareil et la conduite d'arrivée d'eau froide (voir le chapitre « Mise en service / Première mise en service »).
- ▶ Mettez sous tension.

15.2.2 Nettoyage du filtre, installation hydraulique encastrée

- ▶ Mettez l'appareil hors tension.
- ▶ Fermez le robinet d'arrêt de l'arrivée d'eau froide.
- ▶ Ouvrez tous les robinets de soutirage.
- ▶ Ouvrez l'appareil ; pour ce faire, dévissez la vis et faites pivoter le capot.
- ▶ Dévissez la conduite de raccordement d'eau froide du manchon double. Basculez la conduite de raccordement d'eau froide vers le haut.
- ▶ Retirez le filtre du manchon double. Nettoyez le filtre.
- ▶ Vissez la conduite de raccordement d'eau froide sur le manchon double avec le filtre à joint périphérique.
- ▶ Ouvrez le robinet d'arrêt de la conduite d'arrivée d'eau froide.
- ▶ Purgez l'appareil et la conduite d'arrivée d'eau froide (voir le chapitre « Mise en service / Première mise en service »).
- ▶ Vérifiez l'étanchéité de la conduite de raccordement d'eau froide.
- ▶ Accrochez le capot de l'appareil à la partie supérieure de la paroi arrière de l'appareil. Basculez le capot vers le bas. Vérifiez que le capot est bien fixé en haut et en bas. Fixez le capot à l'aide de la vis.
- ▶ Mettez sous tension.

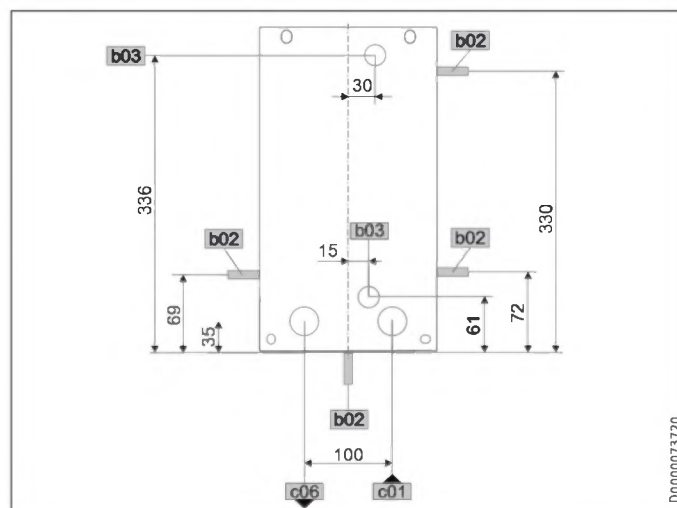
16. Données techniques

16.1 Cotes et raccords



		DCE-S Plus
b02	Passage des câbles électriques I	En saillie
c01	Arrivée eau froide	Filetage mâle G 1/2 A
c06	Sortie eau chaude	Filetage mâle G 1/2 A

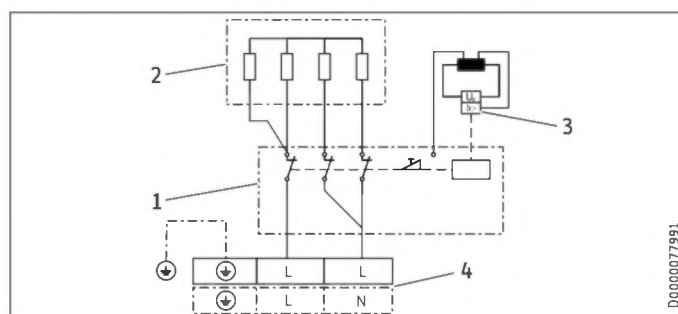
Autres branchements possibles



		DCE-S Plus
b02	Passage des câbles électriques I	En saillie
b03	Passage des câbles électriques II	Encastré
c01	Arrivée eau froide	Filetage mâle G 1/2 A
c06	Sortie eau chaude	Filetage mâle G 1/2 A

16.2 Schéma électrique

DCE-S Plus	
	2/GRD ~ 220 - 240 V
	1/N/PE ~ 220 - 240 V



- 1 Électronique de puissance à interrupteur de sécurité intégré
- 2 Système de chauffe à fil nu
- 3 Limiteur de sécurité
- 4 Bornier de raccordement au secteur

16.3 Capacité de production d'eau chaude

La capacité de production d'eau chaude sanitaire dépend de la tension d'alimentation appliquée, de la puissance raccordée de l'appareil et de la température d'arrivée d'eau froide. La tension nominale et la puissance nominale sont indiquées sur la plaque signalétique.

Puissance raccordée en kW	Capacité de production d'eau chaude sanitaire à 38 °C en L/min.			
	Température d'arrivée d'eau froide			
Tension nominale	220 V	230 V	240 V	
				5 °C
				10 °C
				15 °C
				20 °C
DCE-S 6/8 Plus				
6,0				2,6
8,0				3,1
	6,6			3,7
	8,7			4,8
		6,6		3,5
		8,7		4,1
			6,6	2,9
			8,7	3,4
				4,1
				5,2
				6,9
				5,7
				7,6
DCE-S 10/12 Plus				
10,0				4,3
12,0				5,1
	11,0			6,2
	13,1			7,9
		11,0		5,2
		13,1		6,1
			11,0	4,8
			13,1	5,6
				6,8
				8,7
				10,4
				9,5
				11,3

Puissance raccordée en kW	Capacité de production d'eau chaude sanitaire à 50 °C en L/min.			
	Température d'arrivée d'eau froide			
Tension nominale	220 V	230 V	240 V	
				5 °C
				10 °C
				15 °C
				20 °C
DCE-S 6/8 Plus				
6,0				1,9
8,0				2,1
	6,6			2,4
	8,7			2,9
		6,6		2,5
		8,7		3,3
			6,6	2,1
			8,7	2,7
				3,1
				4,1
				3,4
				4,6
DCE-S 10/12 Plus				
10,0				3,2
12,0				3,6
	11,0			4,1
	13,1			4,8
		11,0		3,8
		13,1		4,3
			11,0	3,5
			13,1	3,9
				4,5
				5,2
				6,2
				5,7
				6,8
				5,7
				6,8

16.4 Domaines d'utilisation / Tableau de conversion

Résistance électrique spécifique et conductivité électrique spécifique.

Indication normalisée à 15 °C	20 °C			25 °C		
	Résistance $\rho \geq$	Conductivité $\sigma \leq$	$\mu S/cm$	Résistance $\rho \geq$	Conductivité $\sigma \leq$	$\mu S/cm$
Ωcm	Ωcm	mS/m	$\mu S/cm$	Ωcm	mS/m	$\mu S/cm$
1100	91	910	970	103	1031	895
						112
						1117

16.5 Pertes de charge

Robinetteries

Perte de charge des robinetteries pour un débit de 10 L/min		
Mitigeur mono commande, env.	MPa	0,04 - 0,08
Robinetterie thermostatique, env.	MPa	0,03 - 0,05
Pomme de douche, env.	MPa	0,03 - 0,15

Dimensionnement des conduites

La prise en compte d'une perte de pression de 0,1 MPa est recommandée pour le dimensionnement des conduites.

16.6 Défaillances

En cas d'incident, des températures de 80 °C maximum sous une pression de 1,0 MPa peuvent survenir brièvement dans l'installation.

INSTALLATION

Données techniques

16.7 Indications relatives à la consommation énergétique

Fiche produit : Chauffe-eau conventionnels selon les directives (UE) n° 812/2013 | 814/2013

		DCE-S 6/8 Plus	DCE-S 10/12 Plus
		238153	238154
Fabricant		STIEBEL ELTRON	STIEBEL ELTRON
Profil de soutirage		XS	XS
Classe d'efficacité énergétique		A	A
Efficacité énergétique	%	39	39
Consommation annuelle d'électricité	kWh	472	474
Réglage d'usine de la température	°C	60	60
Niveau de puissance acoustique	dB(A)	15	15
Indications spécifiques pour la mesure d'efficacité		Mesuré avec limiteur de débit, puissance maximale et valeur de consigne maximale	Mesuré avec limiteur de débit, puissance maximale et valeur de consigne maximale
Consommation journalière d'électricité	kWh	2,161	2,174

16.8 Tableau de données

		DCE-S 6/8 Plus			DCE-S 10/12 Plus		
		238153			238154		
Données électriques							
Tension nominale	V	220	230	240	220	230	240
Puissance nominale	kW	6,0/8,0	6,6/8,7	7,2/9,6	10,0/12,0	11,0/13,1	12,0/14,3
Intensité nominale	A	27,3/36,4	28,5/38,0	30,0/40,0	45,5/54,5	47,8/57,0	50,0/59,6
Protection (électrique)	A	30/40			50/60		
Fréquence	Hz	50/60			50/60		
Phases		1/N/PE			1/N/PE		
Résistance spécifique $\rho_{15} \geq$	Ω cm	1100			1100		
Conductivité spécifique $\sigma_{15} \leq$	$\mu S/cm$	910			910		
Impédance de réseau maximale à 50 Hz	Ω	0,0385	0,0368	0,0353	0,0257	0,0245	0,0235
Raccordements							
Raccordement hydraulique		G 1/2 A			G 1/2 A		
Limites d'utilisation							
Pression d'alimentation minimum	MPa	0,18 (1,8 bar / 26 psi)			0,18 (1,8 bar / 26 psi)		
Pression maxi admissible	MPa	1 (10 bar / 150 psi)			1 (10 bar / 150 psi)		
Température maximale d'arrivée d'eau pour chauffage d'appoint	°C	55			55		
Plage de réglage de la température	°C	20-60			20-60		
Valeurs							
Température max. d'arrivée d'eau (par exemple désinfection thermique)	°C	70			70		
Marche	l/min	1,3			1,3		
Débit volumique à 28 K	l/min	3,1/4,1 à 220 V			5,1/6,2 à 220 V		
Débit à 50 K	l/min	1,7/2,3 à 220 V			2,9/3,5 à 220 V		
Perte de charge pour débit à 50 K (sans limiteur de débit)	MPa	0,01/0,01			0,02/0,03		
Limitation du débit à	l/min	4			5		
Données hydrauliques							
Capacité nominale	l	0,277			0,277		
Versions							
Type de montage		sur/sous évier			sur/sous évier		
Puissance de raccordement au choix		X			X		
Classe de protection		1			1		
Bloc isolant		Plastique			Plastique		
Générateur de chaleur système de chauffage		Fil nu			Fil nu		
Cache et panneau arrière		Plastique			Plastique		
Couleur		Blanc			Blanc		
Indice de protection (IP)		IP 25			IP 25		
Dimensions							
Hauteur	mm	372			372		
Largeur	mm	217			217		
Profondeur	mm	109			109		
Poids							
Poids	kg	2,5			2,5		



Remarque

L'appareil est conforme à la norme CEI 61000-3-12.

Garantie

Les conditions de garantie de nos sociétés allemandes ne s'appliquent pas aux appareils achetés hors d'Allemagne. Au contraire, c'est la filiale chargée de la distribution de nos produits dans le pays qui est seule habilitée à accorder une garantie. Une telle garantie ne pourra cependant être accordée que si la filiale a publié ses propres conditions de garantie. Il ne sera accordé aucune garantie par ailleurs.

Nous n'accordons aucune garantie pour les appareils achetés dans des pays où aucune filiale de notre société ne distribue nos produits. D'éventuelles garanties accordées par l'importateur restent inchangées.

Environnement et recyclage

Merci de contribuer à la préservation de notre environnement. Après usage, procédez à l'élimination des matériaux conformément à la réglementation nationale.

INDICACIONES ESPECIALES

OPERACIÓN

1. Indicaciones generales	35
1.1 Instrucciones de seguridad	35
1.2 Otras marcas presentes en esta documentación	35
1.3 Unidades de medida	35
2. Seguridad	36
2.1 Utilización conforme a las prescripciones	36
2.2 Instrucciones generales de seguridad	36
2.3 Sello de certificación	36
3. Descripción del aparato	36
3.1 Ajustar la temperatura de referencia	37
3.2 Recomendaciones de configuración	37
4. Limpieza, conservación y mantenimiento	37
5. Resolución de problemas	37

INSTALACIÓN

6. Seguridad	38
6.1 Instrucciones generales de seguridad	38
6.2 Modo de ducha	38
6.3 Reglamentos, normas y disposiciones	38
7. Descripción del aparato	38
7.1 Ámbito de suministro	38
7.2 Accesorios	38
8. Preparación	38
8.1 Lugar de montaje	38
8.2 Distancias mínimas de separación	39
8.3 Instalación de agua	39
9. Montaje	39
9.1 Montaje estándar visto	39
10. Puesta en marcha	41
10.1 Protección antiquemaduras interna mediante toma de saltador	41
10.2 Cambio de la potencia conectada a través de la ranura de conexión del saltador	41
10.3 Primera puesta en marcha	41
10.4 Nueva puesta en marcha	42
11. Puesta fuera de servicio	42
12. Alternativas de montaje	42
12.1 Empalme eléctrico oculto en la parte superior	42
12.2 Empalme eléctrico oculto en la parte inferior	43
12.3 Empalme eléctrico con un cable de conexión a la red eléctrica corto	43
12.4 Acoplamiento eléctrico visto lateral	43
12.5 Instalación de agua oculta	43
12.6 Operación con agua precalentada	44
13. Información de servicio	45
14. Reparación de averías	45
15. Mantenimiento	46
15.1 Vaciado del aparato	46
15.2 Limpiar el filtro	46
16. Especificaciones técnicas	47
16.1 Dimensiones y conexiones	47
16.2 Diagrama eléctrico	47
16.3 Rendimiento de agua caliente	48

16.4 Ámbitos de aplicación / Tabla de conversión	48
16.5 Pérdida de presión	48
16.6 Condiciones en caso de avería	48
16.7 Datos sobre el consumo energético	48
16.8 Tabla de especificaciones	49

GARANTÍA

MEDIO AMBIENTE Y RECICLAJE

INDICACIONES ESPECIALES

- Los niños a partir de 3 años y las personas con capacidades físicas, sensoriales o mentales limitadas o con falta de experiencia y conocimientos pueden utilizar el aparato bajo la vigilancia de otra persona o si antes han recibido instrucciones sobre el uso seguro del aparato y han comprendido los peligros que pueden derivarse. Está prohibido que los niños jueguen con el aparato. Los niños no deben realizar las tareas de limpieza y mantenimiento propias del usuario sin vigilancia.
- Las válvulas pueden alcanzar una temperatura de hasta 70 °C durante la operación. A temperaturas de salida superiores a 43 °C existe peligro de escaldamiento.
- El aparato es apto para el abastecimiento de una ducha (modo de ducha). Si el aparato se usa también o exclusivamente en modo de ducha, el profesional técnico especializado debe configurar el rango de ajuste de temperatura mediante la protección antiquemaduras interna en el aparato, a 55 °C o menos. Si se utiliza agua precalentada, asegúrese de que la temperatura de admisión no supere los 55 °C.

- El aparato debe poder desconectarse omnipolarmente de la red eléctrica mediante una separación de al menos 3 mm.
- La tensión indicada debe coincidir con la fuente de suministro.
- El aparato debe estar conectado al conductor de puesta a tierra.
- El aparato debe estar continuamente conectado a un cableado fijo.
- Sujete el aparato tal y como se describe en el capítulo "Instalación / Montaje".
- Tenga en cuenta los límites de utilización (véase el capítulo "Instalación / Especificaciones técnicas / Tabla de especificaciones").
- La resistencia específica del agua de la red de abastecimiento de agua no debe tener un valor inferior al mínimo (véase el capítulo "Instalación / Especificaciones técnicas / Tabla de especificaciones").
- Vacíe el aparato tal y como se describe en el capítulo "Instalación / Mantenimiento / Vaciado del aparato".

OPERACIÓN

1. Indicaciones generales

Los capítulos "Indicaciones especiales" y "Operación" están dirigidos al usuario del aparato y al profesional técnico especializado.

El capítulo "Instalación" está dirigido al profesional técnico especializado.



Nota

Lea atentamente estas instrucciones antes del uso y consérvelas en un lugar seguro. Entregue las instrucciones a otros posibles usuarios de este aparato.

1.1 Instrucciones de seguridad

1.1.1 Estructura de las instrucciones de seguridad



PALABRA DE ADVERTENCIA Tipo de peligro
Mediante este tipo de palabras se explican las posibles consecuencias en caso de desobedecimiento de las instrucciones de seguridad.

- Aquí se proponen las medidas necesarias para evitar el peligro.

1.1.2 Símbolos, tipo de peligro

Símbolo	Tipo de peligro
	Lesión
	Efecto de Electrocutar
	Quemaduras (quemaduras, escaldadura)

1.1.3 Palabras de advertencia

PALABRA DE ADVERTENCIA	Significado
PELIGRO	Indicaciones cuyo desobedecimiento tiene como consecuencia lesiones graves o la muerte.
ADVERTENCIA	Indicaciones cuyo desobedecimiento puede tener como consecuencia lesiones graves o la muerte.
PRECAUCIÓN	Indicaciones cuyo desobedecimiento puede tener como consecuencia lesiones de gravedad media o baja.

1.2 Otras marcas presentes en esta documentación



Nota

Las indicaciones generales se señalizan mediante el símbolo adyacente.

- Lea atentamente las indicaciones.

Símbolo	Significado
	Daños materiales (daños en el aparato, indirectos, medioambientales)
	Eliminación del aparato

- Este símbolo le indica que usted tiene que hacer algo. Se describen paso a paso las medidas necesarias.

1.3 Unidades de medida



Nota

Si no se indica lo contrario, todas las dimensiones están expresadas en milímetros.

2. Seguridad

2.1 Utilización conforme a las prescripciones

El aparato sirve para calentar agua potable o para recalentar agua ya precalentada. El aparato puede alimentar uno o varios puntos de dispensado.

Cuando se supera la temperatura máxima de admisión para el recalentamiento, no tiene lugar ningún recalentamiento.

El aparato está diseñado para utilizarse en un ámbito doméstico. Las personas no cualificadas pueden utilizarlo de forma segura. Asimismo, el aparato puede utilizarse en ámbitos que no sean domésticos, como en pequeñas empresas, siempre que se utilice del mismo modo.

Cualquier otro uso distinto al indicado en este documento se considera un uso inapropiado. Se considera un uso apropiado el cumplimiento de estas instrucciones, así como de las instrucciones de los accesorios utilizados.

2.2 Instrucciones generales de seguridad



PRECAUCIÓN Quemaduras

Las válvulas pueden alcanzar una temperatura de hasta 70 °C durante la operación. A temperaturas de salida superiores a 43 °C existe peligro de escaldamiento.



PRECAUCIÓN Quemaduras

En caso de que niños u otras personas con capacidades físicas, sensoriales o mentales limitadas utilicen el aparato, se deberá ajustar una limitación de la temperatura permanente e inalterable. Encargue al profesional técnico especializado el ajuste de la protección antiescaldamiento interna.



PRECAUCIÓN Quemaduras

En el modo de funcionamiento con agua precalentada, por ejemplo, cuando utilice un sistema de calefacción solar, observe la siguiente nota: la temperatura del agua caliente puede exceder la temperatura de referencia ajustada o un límite de temperatura ajustado.

- ▶ En tal caso, limite la temperatura con una válvula del termostato central conectada previamente.



ADVERTENCIA Lesiones

Los niños a partir de 3 años y las personas con capacidades físicas, sensoriales o mentales limitadas o con falta de experiencia y conocimientos pueden utilizar el aparato bajo la vigilancia de otra persona o si antes han recibido instrucciones sobre el uso seguro del aparato y han comprendido los peligros que pueden derivarse. Está prohibido que los niños jueguen con el aparato. Los niños no deben realizar las tareas de limpieza y mantenimiento propias del usuario sin vigilancia.



Daños materiales

El usuario debe proteger el aparato y las válvulas frente a la formación de escarcha.



Nota

Para cumplir con la clase de protección IP 25, se deben utilizar tornillos de cabeza mecanizada para fijar el aparato a la pared.

2.3 Sello de certificación

Véase la placa de especificaciones técnicas en el aparato.

3. Descripción del aparato

Cuando se abre la válvula de agua caliente en la válvula, el aparato se enciende automáticamente. Cuando se cierra la válvula, el aparato se vuelve a desconectar automáticamente.

El aparato calienta el agua mientras esta fluye a través del aparato. Se puede ajustar la temperatura de referencia. A partir de un determinado caudal, la unidad de control enciende la potencia calorífica necesaria en función del ajuste de temperatura y de la temperatura del agua fría.

El calentador instantáneo compacto con regulación electrónica y adaptación automática de potencia mantiene constante la temperatura de salida. Esto ocurre con independencia de la temperatura de admisión hasta la potencia máxima del aparato.

Cuando el aparato se usa con agua precalentada y la temperatura de admisión sobrepasa la temperatura ajustada, el agua no se sigue calentando.

Sistema de calefacción

El sistema de calefacción de cables desnudos está rodeado de una capa de plástico estanca a la presión. El sistema de calefacción con serpentín indirecto interno de acero inoxidable es apto para aguas con poca o mucha cal. Por lo general, es resistente a la calcificación. El sistema de calefacción proporciona un suministro rápido y eficaz de agua caliente.



Nota

El aparato está equipado con un sistema de detección de aire que evita que se produzcan daños en el sistema de calefacción. Si entra aire en el aparato durante la operación, el aparato desconectará la potencia de calefacción durante un minuto para proteger el sistema de calefacción.

Tras interrumpir el abastecimiento de agua

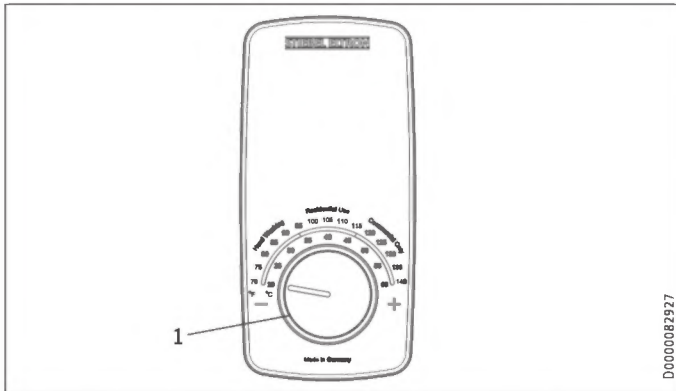


Daños materiales

Para que el sistema de calefacción de cables desnudos no quede dañado tras interrumpir el abastecimiento de agua, el aparato se tiene que volver a poner en marcha con los siguientes pasos.

- ▶ Corte la tensión del aparato desconectando los fusibles.
- ▶ Purgue el aire del aparato y de la tubería de suministro de agua fría (véase el capítulo "Instalación / Puesta en marcha / Primera puesta en marcha").
- ▶ Vuelva a encender la fuente de suministro.

3.1 Ajustar la temperatura de referencia



1 Selector de ajuste de la temperatura de referencia

3.2 Recomendaciones de configuración

Su calentador instantáneo asegura la máxima precisión y el máximo confort en la preparación de agua caliente. Si a pesar de ello utiliza el aparato con una valvulería del termostato, le recomendamos que:

- Configure la temperatura nominal del aparato a más de 50 °C. Ajuste la temperatura de referencia deseada en la valvulería del termostato.

Ahorro de energía

Se consumirá menos energía con los siguientes ajustes recomendados:

- 38 °C para el lavamanos, ducha y bañera
- 55 °C para el fregadero de la cocina

Limitación de la temperatura por medio de una protección antiescaldamiento interna (profesional técnico especializado)

Si se desea, el profesional técnico especializado puede ajustar un límite permanente de temperatura, p. ej., en guarderías, hospitales, etc.

Cuando se abastece una ducha, el profesional técnico especializado debe limitar el rango de ajuste de temperatura en el aparato a 55 °C o menos.

Con la limitación se impide que salga agua del aparato a una temperatura que pueda causar escaldamientos.

Ajustes recomendados para la operación con una valvulería del termostato y agua precalentada por energía solar

- Configure la temperatura del aparato a la temperatura máxima.

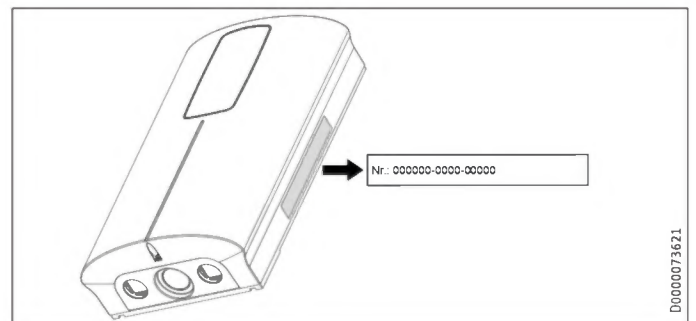
4. Limpieza, conservación y mantenimiento

- No utilice detergentes agresivos ni disolventes. Para conservar y limpiar el aparato basta con utilizar un paño húmedo.
- Revise la grifería/valvulería periódicamente. La cal en las tomas de grifos puede eliminarse utilizando los productos antical disponibles en el mercado.

5. Resolución de problemas

Problema	Causa	Solución
El aparato no se enciende a pesar de que la válvula de agua caliente está completamente abierta.	No hay tensión.	Revise los fusibles de la caja de fusibles doméstica.
	El regulador de chorro en la válvula o el cabezal de la ducha presentan cal o están sucios.	Limpie o elimine la cal del regulador de chorro o del cabezal de la ducha.
	Se ha interrumpido el abastecimiento de agua.	Purgue el aparato y la tubería de suministro de agua fría (véase el capítulo "Instalación / Puesta en marcha / Primera puesta en marcha").
Mientras se extrae agua caliente, fluye agua fría brevemente.	La detección de aire detecta aire en el agua. Desconecta la potencia de calefacción brevemente.	El aparato vuelve a ponerse en marcha automáticamente después de transcurrir 1 minuto.
Durante la operación se producen sonidos de ebullición.	No se ha purgado el aire del aparato.	Purgue el aire del aparato (véase el capítulo "Instalación / Puesta en marcha / Primera puesta en marcha").
	La presión de suministro es insuficiente.	Asegúrese de que se alcance la presión mínima de suministro (véase el capítulo "Instalación / Especificaciones técnicas / Tabla de especificaciones").
No se puede ajustar la temperatura deseada.	Está activada la protección antiquemaduras interna.	La protección antiquemaduras interna solo puede ser modificada por el profesional técnico especializado.

Si no puede solucionar la causa, llame al profesional técnico especializado. Para poder ayudarlo mejor y con mayor rapidez, indique el número de la placa de especificaciones técnicas (000000-0000-000000).



INSTALACIÓN

6. Seguridad

La instalación, la puesta en marcha y el mantenimiento y reparación del aparato deben realizarse exclusivamente por parte de un profesional técnico especializado.

6.1 Instrucciones generales de seguridad

Solo garantizamos un nivel óptimo de funcionalidad y de seguridad y fiabilidad en la operación si se utilizan accesorios y piezas de repuesto originales específicos del aparato.



Daños materiales

Tenga en cuenta la temperatura máxima de admisión. El aparato se puede dañar si la temperatura es elevada. Instalando una valvulería del termostato central puede limitar la temperatura de admisión máxima.



ADVERTENCIA Electrocuación

Este aparato contiene condensadores que se descargan si se separan de la red de corriente. La tensión de descarga del condensador puede, en su caso, ser > 60 V DC durante un breve periodo.

6.2 Modo de ducha



PRECAUCIÓN Quemaduras

► Para el suministro de agua a una ducha, ajuste la protección antiestancamiento interna a 55 °C o menos (véase el capítulo "Puesta en marcha / Preparativos").



PRECAUCIÓN Quemaduras

En el modo de funcionamiento con agua precalentada, por ejemplo, cuando utilice un sistema de calefacción solar, observe la siguiente nota:

la temperatura del agua caliente puede exceder la temperatura de referencia ajustada o un límite de temperatura ajustado.

► En tal caso, limite la temperatura con una válvula del termostato central conectada previamente.

6.3 Reglamentos, normas y disposiciones



Nota

Tenga en cuenta todos los reglamentos y disposiciones nacionales y regionales.

- La clase de protección IP 25 (protegido de salpicaduras de agua) solo se garantiza con un manguito del cable colocado correctamente y utilizando tornillos de cabeza mecanizada de Ø 4,5 mm con un diámetro máximo de cabeza de 9 mm.

- La resistencia eléctrica específica del agua no debe ser menor que la indicada en la placa de especificaciones técnicas. En una red colectiva de agua debe tenerse en cuenta la resistencia eléctrica mínima del agua. Puede consultar cuál es la resistencia eléctrica específica o la conductividad eléctrica del agua a su compañía de abastecimiento de agua.

7. Descripción del aparato

7.1 Ámbito de suministro

El suministro del aparato incluye:

- 2 racores dobles 45°
- 2 juntas planas
- 2 juntas tóricas
- Manguito del cable
- Filtro
- Limitador de caudal
- Saltador para protección antiquemaduras (acoplado)
- Saltador para conmutación de potencia (acoplado)

7.2 Accesorios

Set de montaje de instalación de agua oculta (200016 - UP-Kit EU)

El set de montaje para la instalación de agua oculta incluye:

- 2 arandelas de goma para sellar las aperturas en el panel posterior del aparato.
- Filtro con borde de estanqueidad para instalación en el racor doble 45°.
- Junta plana.

8. Preparación

8.1 Lugar de montaje



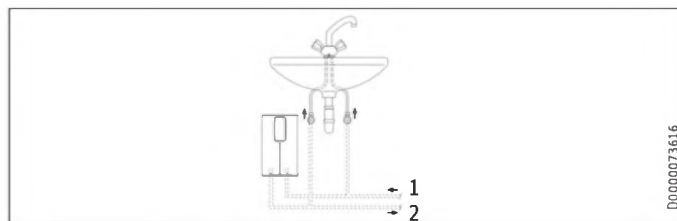
Daños materiales

La instalación del aparato solo se puede hacer en habitaciones resguardadas de la escarcha.

- Monte el aparato en posición vertical y cerca del punto de dispensado.

El aparato se puede montar sobre una mesa y bajo mesa.

Montaje bajo mesa

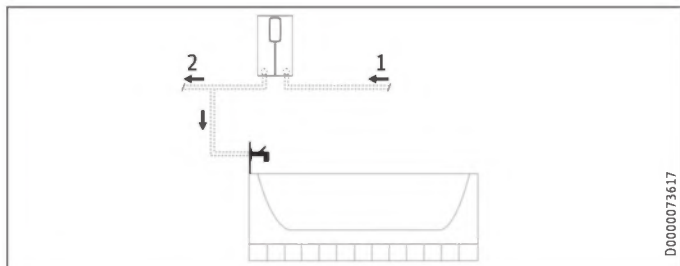


- 1 Alimentación del agua fría
- 2 Salida de agua caliente

INSTALACIÓN

Montaje

Montaje sobre una mesa



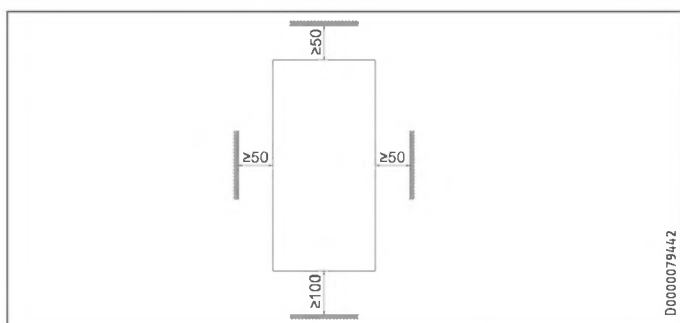
- 1 Alimentación del agua fría
- 2 Salida de agua caliente



Nota

► Monte el aparato pegado a la pared. La pared debe tener una capacidad portante suficiente.

8.2 Distancias mínimas de separación



- Mantenga la distancia mínima para garantizar la operación sin averías del aparato y permitir que se realicen trabajos de mantenimiento en el mismo.

8.3 Instalación de agua



Daños materiales

Realice todos los trabajos de conexión e instalación hidráulicos conforme a la normativa vigente.

- Lave a fondo la tubería de agua.

Grifería/valvulería

Utilice la valvulería de presión adecuada. No se admite grifería/valvulería abierta.

Materiales admisibles para las tuberías de agua

- Tubería de suministro de agua fría: tubos de acero galvanizados en caliente, tubos de acero inoxidable, tubos de cobre o tubos de plástico.
- Tubería de suministro de agua caliente: tubos de acero inoxidable, tubos de cobre o tubos de plástico.



Daños materiales

Si utiliza sistemas de tuberías de plástico, tenga presente la temperatura de admisión máxima admisible y la presión máxima admisible.

Caudal

- Asegúrese de que se alcanza el caudal necesario para que se encienda el aparato.
- Si no se alcanza el caudal necesario con la válvula de dispensado completamente abierta, retire el limitador de caudal de la alimentación del agua fría.

Si fuera necesario, puede aumentar también la presión de la instalación de agua.

9. Montaje

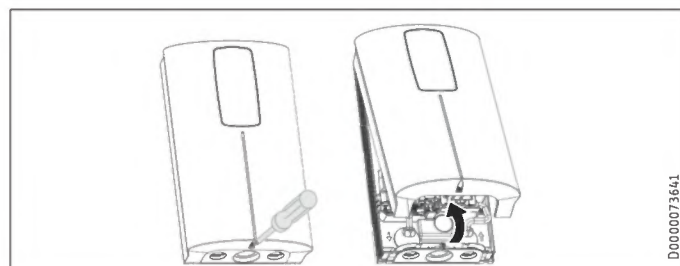
Ajustes de fábrica	DCE-S 6/8 Plus	DCE-S 10/12 Plus
Protección antiquemaduras interna en °C	60	60
Potencia conectada en kW	a 220 V	8,0
	a 230 V	8,7
	a 240 V	9,6

Montaje estándar	DCE-S 6/8 Plus	DCE-S 10/12 Plus
Empalme eléctrico inferior, instalación vista	x	x
Conexión de agua, instalación vista	x	x

Otras opciones de montaje disponibles en el capítulo "Alternativas de montaje".

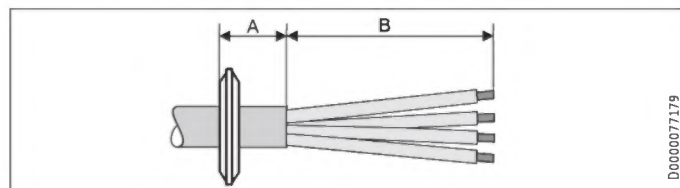
9.1 Montaje estándar visto

Apertura del aparato



- Abra el aparato aflojando el tornillo y moviendo la tapa del aparato.

Preparación del cable de conexión a la red eléctrica

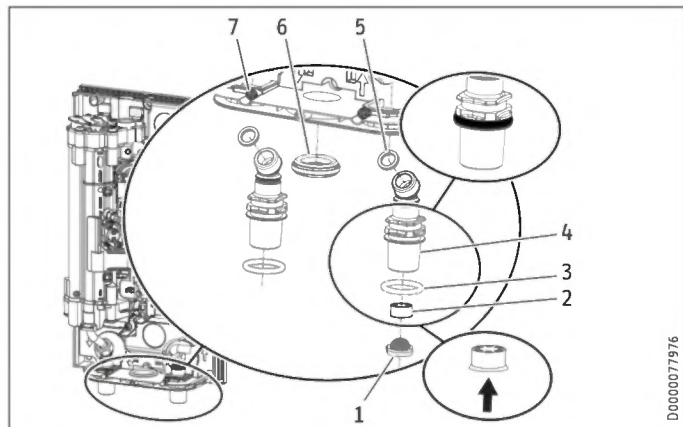


- Prepare el cable de conexión a la red eléctrica.

Posición vista	Dimensión A	Dimensión B
abajo, centro	30	120
abajo, lado izquierdo del aparato	20	90
abajo, lado derecho del aparato	20	90
arriba, lado derecho del aparato	20	80

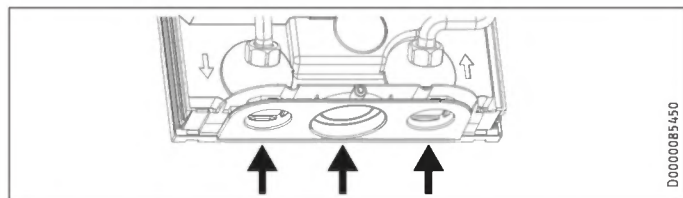
Posición oculta	Dimensión A	Dimensión B
Abajo	20	90
Arriba	20	80

Preparación



- 1 Filtro
- 2 Limitador de caudal
- 3 Juntas tóricas
- 4 Racores dobles de 45°
- 5 Juntas planas
- 6 Manguito del cable
- 7 Tornillos de seguridad

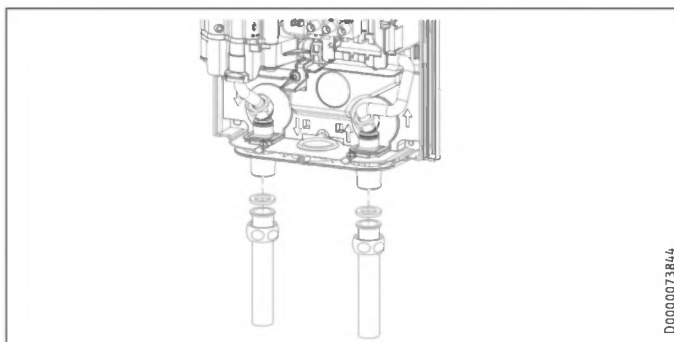
- ▶ Suelte los tornillos de seguridad.



- ▶ Perfore o realice los orificios necesarios a lo largo de las marcas para el cable de conexión a la red eléctrica y los racores dobles en el panel posterior del aparato. Utilice una herramienta plana adecuada para este fin. Elimine la rebaba de los cantos afilados con una lima.
- ▶ Extraiga los topes de protección para el transporte de las tubuladuras de conexión de agua.
- ▶ Recorte un orificio en el manguito del cable según el cable de conexión elegido. Monte el manguito del cable.
- ▶ Monte las juntas tóricas en la ranura de los racores dobles.
- ▶ Inserte los racores dobles en las aberturas de la pared posterior del aparato y colóquelos con las juntas planas en los tubos de empalme del aparato (par de apriete de 8 Nm).
- ▶ Asegure los racores dobles con los tornillos de seguridad.
- ▶ Monte el limitador de caudal y el filtro en el racor doble de la conexión de agua fría. Observe la alineación del limitador de caudal.

Montaje del aparato

- ▶ Perfore o realice los orificios alargados inferiores (distancia: 175 mm) para sujetar el aparato en la pared posterior del mismo (véanse las posiciones en el capítulo "Especificaciones técnicas / Dimensiones y conexiones"). Los dos orificios de fijación superiores ya están abiertos.
- ▶ Marque las 4 posiciones de taladrado con ayuda de la pared posterior del aparato.
- ▶ Taladre los orificios y fije el aparato con el material de fijación apropiado (ni los tornillos ni los tacos van incluidos en el ámbito de suministro): Tornillo de cabeza mecanizada \varnothing 4,5 mm con diámetro máx. de cabeza de 9 mm.



- ▶ Monte una valvulería de presión adecuada.
- ▶ Enrosque los tubos de conexión de agua de la válvula (no incluidos en el ámbito de suministro) con las juntas planas en el racor doble.
- ▶ Abra la válvula de cierre en la tubería de suministro de agua fría.

Establecimiento del empalme eléctrico



ADVERTENCIA Electrocutación

Realice todos los trabajos de conexión e instalación eléctricos de conformidad con la normativa vigente.



ADVERTENCIA Electrocutación

La conexión a la red eléctrica sólo está permitida si la conexión es fija, en combinación con la boquilla de paso extraíble. El aparato debe poder desconectarse omnipolarmente de la red eléctrica mediante una separación de al menos 3 mm.



ADVERTENCIA Electrocutación

Asegúrese de que el aparato esté conectado al conductor de puesta a tierra.



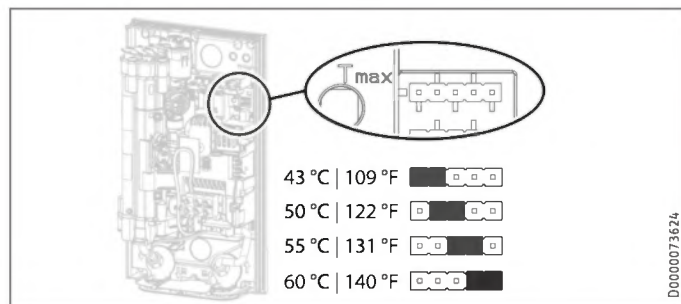
Daños materiales

Observe la placa de especificaciones técnicas. La tensión de alimentación indicada debe coincidir con la fuente de suministro.

- ▶ Desplace el cable de conexión a la red eléctrica por el manguito del cable.
- ▶ Conecte el cable de conexión a la red eléctrica al borne de conexión a la red eléctrica (consulte el capítulo "Instalación / Especificaciones técnicas / Diagrama eléctrico").

10. Puesta en marcha

10.1 Protección antiquemaduras interna mediante toma de saltador



- ▶ Monte el saltador en la posición deseada de la regleta de tomas "Tmax".

Posición del saltador	Descripción
43 °C 109 °F	p. ej., en guarderías, hospitales, etc.
50 °C 122 °F	
55 °C 131 °F	máx. para modo de ducha
60 °C 140 °F	Configuración de fábrica
sin saltador	Límite 43 °C 109 °F



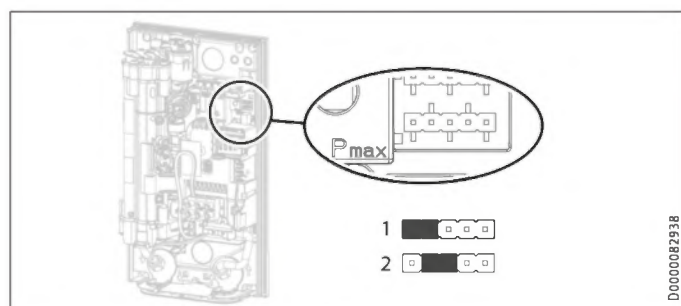
PRECAUCIÓN Quemaduras

En el modo de funcionamiento con agua precalentada, por ejemplo, cuando utilice un sistema de calefacción solar, se puede superar la protección antiestancamiento interna.

- ▶ En tal caso, limite la temperatura con una válvula del termostato central conectada previamente.

10.2 Cambio de la potencia conectada a través de la ranura de conexión del saltador

Si selecciona una potencia conectada distinta a la configuración de fábrica para el aparato deberá cambiar el saltador.

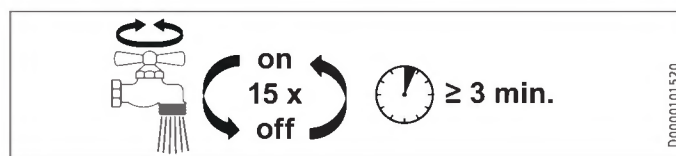


- ▶ Monte el saltador en la posición deseada de la regleta de tomas "Pmax".

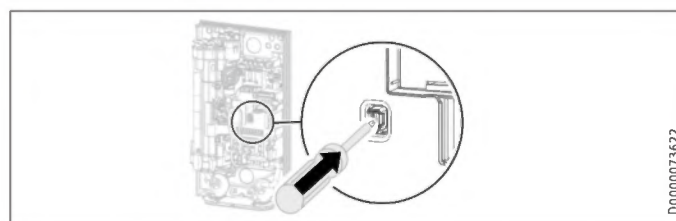
Posición del saltador	Potencia conectada		
		DCE-S 6/8 Plus	DCE-S 10/12 Plus
1 [low]	a 220 V	6,0 kW	10,0 kW
	a 230 V	6,6 kW	11,0 kW
	a 240 V	7,2 kW	12,0 kW
2 [high]	a 220 V	8,0 kW	12,0 kW
	a 230 V	8,7 kW	13,1 kW
Configuración de fábrica	a 240 V	9,6 kW	14,3 kW
	a 220 V	6,0 kW	10,0 kW
sin saltador [low]	a 230 V	6,6 kW	11,0 kW
	a 240 V	7,2 kW	12,0 kW

10.3 Primera puesta en marcha

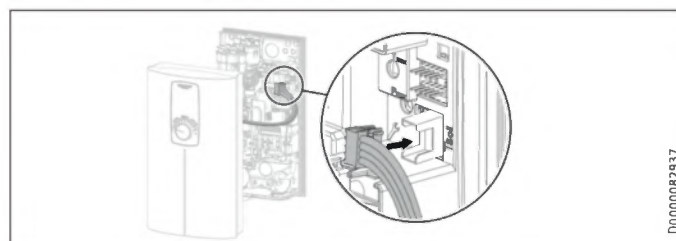
- ▶ Marque con una cruz la potencia conectada seleccionada en la placa de especificaciones técnicas. Use para ello un bolígrafo.



- ▶ Abra y cierre 15 veces todas las válvulas de dispensado conectadas en al menos 3 minutos hasta que no quede aire en la red de tuberías y el aparato. Purgue el aire de la tubería de suministro de agua fría y del aparato con un caudal de al menos 3,5 l/min.
- ▶ Realice una inspección de estanqueidad.



- ▶ Active el interruptor de seguridad presionando con fuerza el botón de restablecimiento (el aparato se suministra con el interruptor de seguridad desactivado).

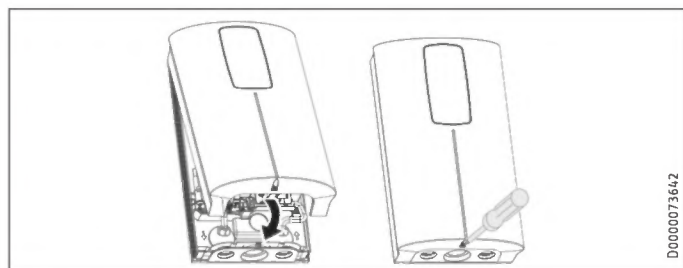


- ▶ Inserte el conector del cable de conexión de la unidad de programación en la conexión electrónica.



Nota

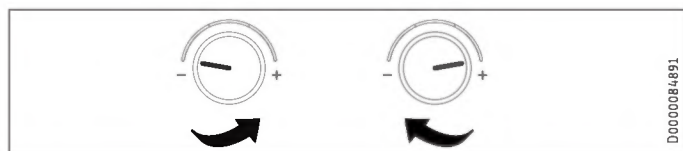
Inserte en todo caso el cable de conexión de la unidad de programación en la conexión electrónica antes de conectar la tensión. De lo contrario, la unidad de programación no estará en funcionamiento.



- ▶ Enganche la tapa del aparato en la parte superior trasera en el panel posterior del aparato. Gire la tapa del aparato hacia abajo. Compruebe el asiento firme de la tapa del aparato arriba y abajo.
- ▶ Fije la tapa del aparato con el tornillo.
- ▶ Retire la lámina de protección de la consola de mando.



- ▶ Conecte la fuente de suministro.
- ▶ Asegúrese de que la unidad de programación funciona correctamente.



- ▶ Gire el selector de temperatura hasta el tope izquierdo y derecho.

10.3.1 Entrega del aparato

- ▶ Explique al usuario el funcionamiento del aparato y haga que se familiarice con el uso del mismo.
- ▶ Indique al usuario los posibles peligros existentes, en particular en relación al peligro de escaldamiento.
- ▶ Entregue las instrucciones.

10.4 Nueva puesta en marcha



Daños materiales

Para que el sistema de calefacción de cables desnudos no quede dañado tras interrumpir el abastecimiento de agua, el aparato se tiene que volver a poner en marcha con los siguientes pasos.

- ▶ Corte la tensión del aparato desconectando los fusibles.
- ▶ Purgue el aire del aparato y de la tubería de suministro de agua fría (véase el capítulo "Puesta en marcha / Primera puesta en marcha").
- ▶ Vuelva a encender la fuente de suministro.

11. Puesta fuera de servicio

- ▶ Desconecte el aparato omnipolarmente de la conexión a la red eléctrica.
- ▶ Vacíe el aparato (véase el capítulo "Mantenimiento / vaciar el aparato").

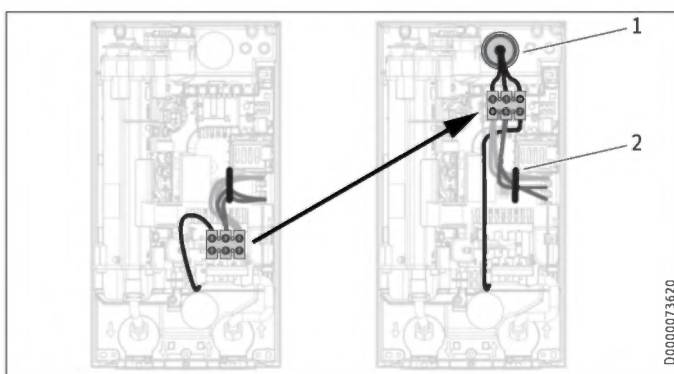
12. Alternativas de montaje



ADVERTENCIA Electrocutación

Siempre que desee realizar cualquier tarea en el aparato, debe desconectarlo omnipolarmente de la conexión a la red eléctrica.

12.1 Empalme eléctrico oculto en la parte superior



- 1 Manguito del cable
- 2 Guiado de cables

- ▶ Realice el orificio necesario para el cable de conexión a la red eléctrica en el panel posterior del aparato (vea las posiciones en el capítulo "Especificaciones técnicas / Dimensiones y conexiones"). Elimine la rebaba de los cantos afilados con una lima.
- ▶ Recorte un orificio en el manguito del cable según el cable de conexión elegido. Monte el manguito del cable.
- ▶ Desplace el terminal de conexión eléctrica de abajo arriba. Desconecte para ello el terminal de conexión eléctrica desplazando con fuerza el terminal hacia la izquierda y tirando hacia adelante. Gire 180° en sentido horario el terminal de conexión eléctrica con los cables de conexión a la red eléctrica. Disponga el cableado interno bajo el guiado de cables. Conecte el terminal de conexión eléctrica apretando el terminal y desplazando hacia la izquierda hasta que encaje.
- ▶ Monte el aparato y conecte el cable de conexión a la red eléctrica al terminal de conexión eléctrica, tal y como se describe en el capítulo "Montaje / montaje estándar visto".

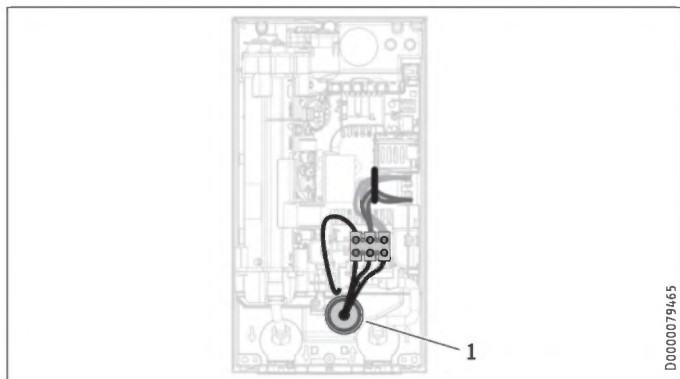


Nota

Desmontaje del terminal de conexión eléctrica la parte superior:

- ▶ Use un destornillador para desbloquear el gancho de enclavamiento del lado derecho.

12.2 Empalme eléctrico oculto en la parte inferior

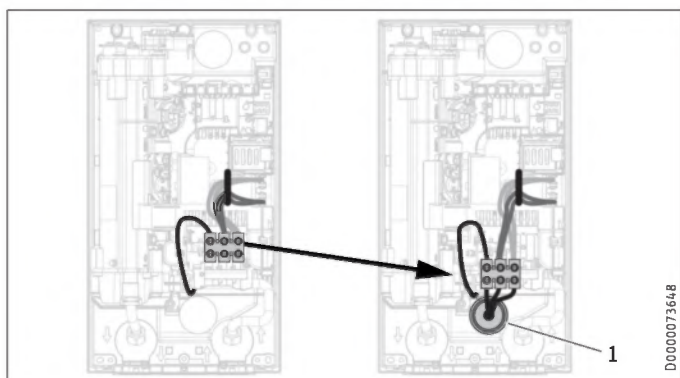


1 Manguito del cable

- ▶ Realice el orificio necesario para el cable de conexión a la red eléctrica en el panel posterior del aparato (vea las posiciones en el capítulo "Especificaciones técnicas / Dimensiones y conexiones"). Elimine la rebaba de los cantos afilados con una lima.
- ▶ Recorte un orificio en el manguito del cable según el cable de conexión elegido. Monte el manguito del cable.
- ▶ Monte el aparato y conecte el cable de conexión a la red eléctrica al terminal de conexión eléctrica, tal y como se describe en el capítulo "Montaje / montaje estándar visto".

12.3 Empalme eléctrico con un cable de conexión a la red eléctrica corto

Con un cable de conexión a la red eléctrica corto, se puede montar el terminal de conexión eléctrica en el aparato más cerca del orificio de paso.



1 Manguito del cable

- ▶ Desplace el terminal de conexión eléctrica de red de arriba abajo. Desconecte para ello el terminal de conexión eléctrica desplazando con fuerza el terminal hacia la izquierda y tirando hacia adelante. Conecte el terminal de conexión eléctrica en la parte inferior apretando el terminal y desplazando hacia la izquierda hasta que encaje.

12.4 Acoplamiento eléctrico visto lateral

- ▶ Sierre y realice el orificio necesario para el cable de conexión a la red eléctrica en el panel posterior del aparato y tapa del aparato (para ver las posiciones, véase el capítulo "Especificaciones técnicas / Dimensiones y conexiones"). Elimine la rebaba de los cantos afilados con una lima.

- ▶ Monte el aparato y conecte el cable de conexión a la red eléctrica al terminal de conexión eléctrica, tal y como se describe en el capítulo "Montaje / montaje estándar visto".

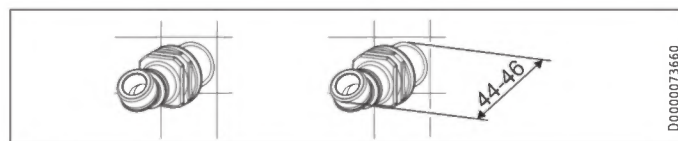
12.5 Instalación de agua oculta

Para la instalación necesitará los accesorios correspondientes. El set de montaje "Instalación de agua oculta" incluye:

- 2 arandelas de goma para sellar las aperturas en el panel posterior del aparato.
- Filtro con borde de estanqueidad para instalación en el racor doble 45°.
- Junta plana.

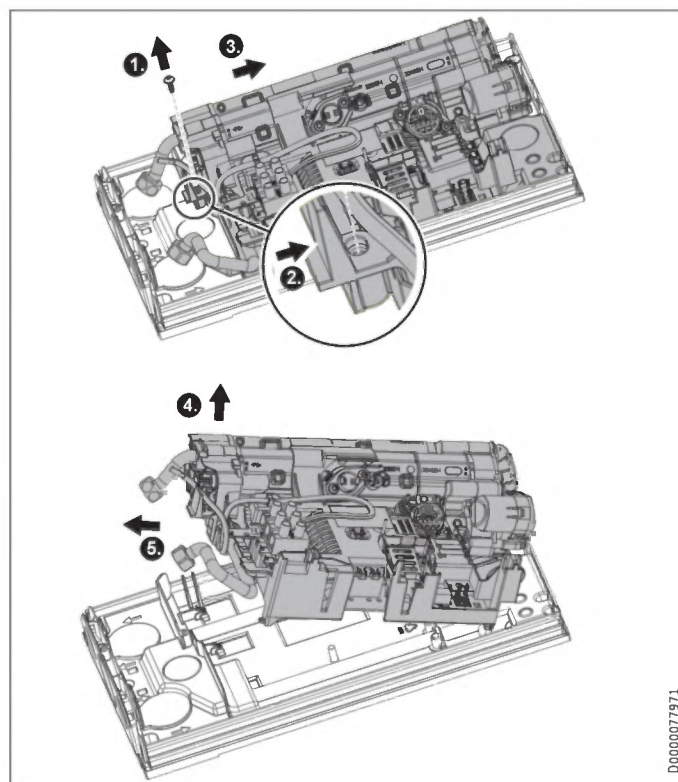
Además, necesitará el limitador de caudal incluido en el ámbito de suministro del aparato.

Preparación



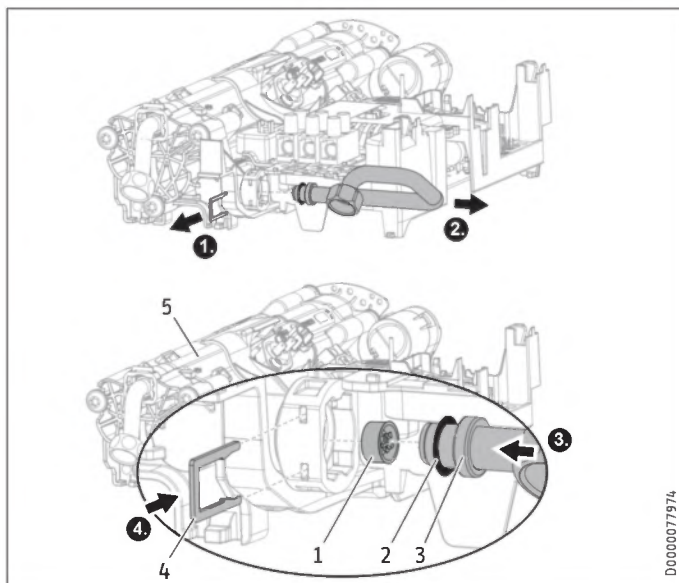
- ▶ Obture y enrosque los racores dobles de 45°.

Para perforar los pasos en el panel posterior del aparato, hay que desmontar el grupo funcional del panel posterior del aparato.



- ▶ Extraiga el tornillo y desbloquee el gancho de enclavamiento.
- ▶ Desplace un poco hacia atrás el grupo funcional en el panel posterior del aparato.
- ▶ Levante el grupo funcional de la pared posterior del aparato tirando del grupo funcional un poco hacia adelante y extrayéndolo.

- ▶ Perfore o realice desde atrás los orificios necesarios en el panel posterior del aparato para las conexiones de agua (para ver las posiciones véase el capítulo "Especificaciones técnicas / dimensiones y conexiones"). Elimine la rebaba de los cantos afilados con una lima.



- 1 Limitador de caudal
- 2 Junta tórica
- 3 Tubo acodado de agua fría con hendidura para clip de fijación
- 4 Clip de fijación
- 5 Calefacción

- ▶ Desmonte el tubo acodado de agua fría y la junta tórica.
- ▶ Monte el limitador de caudal (incluido en el ámbito de suministro del aparato) en la alimentación de agua fría de la calefacción. Observe la alineación.
- ▶ Monte el tubo acodado de agua fría con la junta tórica.



Daños materiales

Para asegurar la estanqueidad del aparato, la junta tórica deberá haberse montado.

- ▶ Durante la instalación, compruebe si la junta tórica se ha montado.

- ▶ Asegure el tubo acodado de agua fría con el clip de fijación.

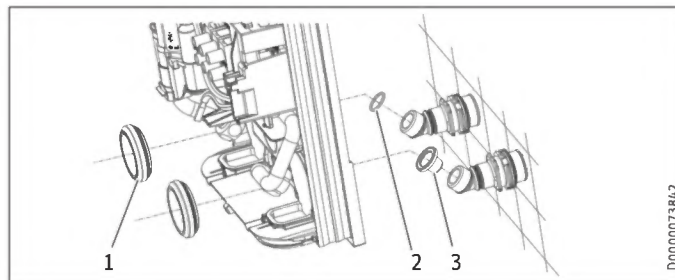


Daños materiales

Asegúrese de que el clip de fijación esté situado detrás de la hendidura del tubo acodado y fije el tubo acodado en su posición.

- ▶ Monte el grupo funcional en orden inverso en la pared posterior del aparato hasta que el grupo funcional encaje.
- ▶ Fije el grupo funcional con el tornillo.

Montaje del aparato



- 1 Arandelas de goma
- 2 Junta plana.
- 3 Filtro con borde de estanqueidad

- ▶ Marque las 2 posiciones de taladrado en la parte superior de la pared posterior del aparato con ayuda de la pared posterior del aparato.
- ▶ Monte las arandelas de goma desde la parte delantera en el panel posterior del aparato.
- ▶ Taladre los orificios y fije el aparato con el material de fijación apropiado (ni los tornillos ni los tacos van incluidos en el ámbito de suministro): Tornillo de cabeza mecanizada $\varnothing 4,5$ mm con diámetro máx. de cabeza de 9 mm.



Nota

- ▶ Monte el aparato pegado a la pared. En caso necesario, fije el aparato adicionalmente en los dos puntos de fijación inferiores. Para ello, perfore / realice los orificios alargados inferiores (distancia: 175 mm) en la pared posterior del aparato (véanse las posiciones en el capítulo "Especificaciones técnicas / Dimensiones y conexiones").

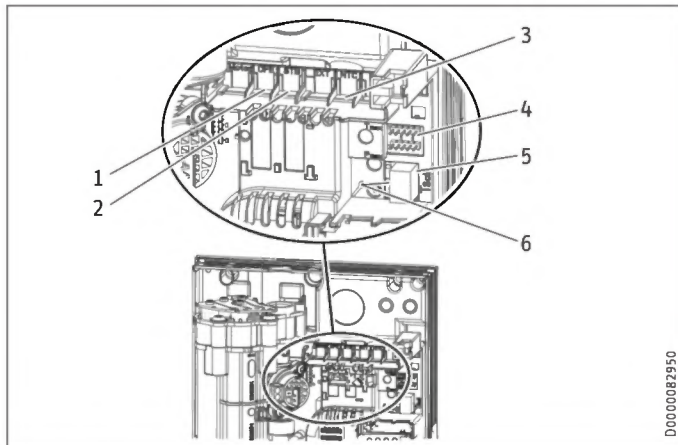
- ▶ Extraiga los toques de protección para el transporte de las tuberías de conexión de agua.
- ▶ Atornille el tubo de conexión de agua caliente con una junta plana y la tubería de suministro de agua fría con el filtro con borde de estanqueidad (incluido en los accesorios) en el racor doble.

12.6 Operación con agua precalentada

Instalando una valvulería del termostato central se limita la temperatura máxima de admisión.

13. Información de servicio

Resumen de conexiones / resumen de componentes



- 1 Medición de caudal
- 2 Limitador de temperatura de seguridad con restablecimiento automático
- 3 Sensor NTC
- 4 Regletas de tomas para potencia conectada y protección antiquemaduras
- 5 Posición de inserción de unidad de programación
- 6 Indicador de diagnóstico

14. Reparación de averías



ADVERTENCIA Electrocutación
Para poder comprobar el aparato, este deberá estar conectado a la fuente de suministro.



Nota
La comprobación del aparato con el semáforo de diagnóstico se debe hacer con el agua fluyendo.

Posibilidades de indicación del semáforo de diagnóstico (LED)

●○○	rojo	se ilumina en caso de avería
○●○	amarillo	se enciende en modo calefacción / parpadea al llegar al límite de potencia
○○●	verde	parpadeo: el aparato está conectado a la red eléctrica

Semáforo de diagnóstico (modo de dispensación)	Avería	Causa	Solución
No se enciende ningún LED	El aparato no calienta	Faltan una o más fases de la tensión de red	Comprobar los fusibles en la instalación doméstica
Verde intermitente, amarillo apagado, rojo apagado	No hay agua caliente	Sistema electrónico defectuoso	Sustituir el grupo funcional
		No se alcanza el caudal de conexión del aparato, el cabezal de la ducha / el regulador de chorro están obstruidos por la cal	Descalcificar/sustituir el cabezal de la ducha / el regulador de chorro
		No se alcanza el caudal de conexión del aparato, el filtro en la alimentación de agua fría está sucio	Limpiar el filtro
		La medición de caudal no está conectada	Comprobar la conexión del conector, corregirla si es necesario
Verde intermitente, amarillo encendido, rojo apagado	No hay agua caliente, la temperatura de salida no se corresponde con el valor de referencia	El caudalímetro está defectuoso o sucio	Sustituir el caudalímetro
		Sistema electrónico defectuoso	Sustituir el grupo funcional
		Válvula defectuosa	Sustituir la válvula
		Unidad de programación conectada al sistema electrónico después de conectar la tensión de la red	Desconectar los fusibles de la instalación doméstica y luego volver a conectarlos
		Sensor de salida defectuoso	Sustituir el sensor de salida
Sistema de calefacción defectuoso	Sustituir el grupo funcional		
Sistema electrónico defectuoso	Sustituir el grupo funcional		

INSTALACIÓN

Mantenimiento

Semáforo de diagnóstico (modo de dispensación)	Avería	Causa	Solución
Verde intermitente, amarillo apagado, rojo encendido	No hay agua caliente, la temperatura de salida no se corresponde con el valor de referencia	La detección de aire se ha activado	Continuar con la operación de dispensación > 1 min
		El interruptor de seguridad no está activado en la "primera puesta en marcha"	Activar el interruptor de seguridad presionando firmemente el botón de restablecimiento
		El interruptor de seguridad ha sido activado por el limitador de temperatura de seguridad	Comprobar el limitador de temperatura de seguridad (conector, cable de conexión), activar el interruptor de seguridad
		El interruptor de seguridad se vuelve a disparar después de comprobar el limitador de temperatura de seguridad, el limitador de temperatura de seguridad está defectuoso	Sustituir el limitador de temperatura de seguridad, activar el interruptor de seguridad y dispensar con el máximo valor de referencia > 1 min
		El interruptor de seguridad se vuelve a disparar, el sistema electrónico está defectuoso	Sustituir el grupo funcional
		Cortocircuito del sensor de salida	Comprobar el sensor de salida y sustituirlo si fuera necesario
		Sistema electrónico defectuoso	Sustituir el grupo funcional

15. Mantenimiento



ADVERTENCIA Electrocución

Siempre que desee realizar cualquier tarea en el aparato, debe desconectarlo omnipolarmente de la conexión a la red eléctrica.

Este aparato contiene condensadores que se descargan si se separan de la red de corriente. La tensión de descarga del condensador puede, en su caso, ser > 60 V DC durante un breve periodo.

15.1 Vaciado del aparato

Puede drenar el aparato para los trabajos de mantenimiento.



ADVERTENCIA Quemaduras

Cuando vacíe el aparato puede salir agua caliente.

- ▶ Cierre la válvula de cierre en la tubería de suministro de agua fría.
- ▶ Abra todas las válvulas de dispensado.
- ▶ Desenrosque las conexiones de agua del aparato.
- ▶ Guarde el aparato desmontado resguardado de la escarcha, ya que hay agua residual en su interior que puede congelarse y causar daños en el aparato.

15.2 Limpiar el filtro



ADVERTENCIA Quemaduras

Cuando vacíe el aparato puede salir agua caliente.



Daños materiales

Para que el sistema de calefacción de cables desnudos no quede dañado tras interrumpir el abastecimiento de agua, el aparato se tiene que volver a poner en marcha con los siguientes pasos.

- ▶ Corte la tensión del aparato desconectando los fusibles.
- ▶ Purgue el aire del aparato y de la tubería de suministro de agua fría (véase el capítulo "Puesta en marcha / Primera puesta en marcha").
- ▶ Vuelva a encender la fuente de suministro.

El filtro en la unión de tornillo del agua fría se debe limpiar con regularidad.

15.2.1 Limpiar el filtro, montaje estándar visto

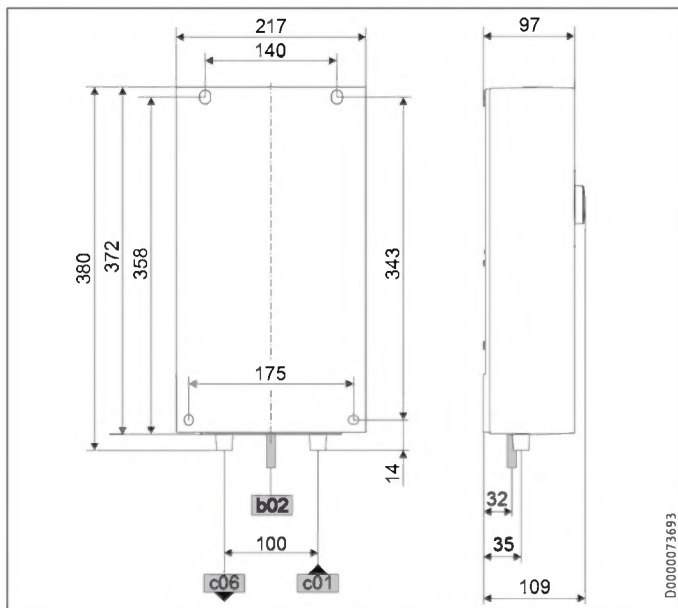
- ▶ Corte la tensión del aparato y espere hasta que se haya desenergizado.
- ▶ Cierre la válvula de cierre en la tubería de suministro de agua fría.
- ▶ Abra todas las válvulas de dispensado.
- ▶ Desmonte la unión enroscada del agua fría.
- ▶ Retire el filtro del racor doble con ayuda de un destornillador plano. Limpie el filtro.
- ▶ Vuelva a montar el filtro. Enrosque el tubo de empalme de agua fría en el racor doble.
- ▶ Abra la válvula de cierre en la tubería de suministro de agua fría.
- ▶ Purgue el aire del aparato y de la tubería de suministro de agua fría (véase el capítulo "Puesta en marcha / Primera puesta en marcha").
- ▶ Conecte la fuente de suministro.

15.2.2 Limpiar el filtro, instalación de agua oculta

- ▶ Corte la tensión del aparato y espere hasta que se haya desenergizado.
- ▶ Cierre la válvula de cierre en la tubería de suministro de agua fría.
- ▶ Abra todas las válvulas de dispensado.
- ▶ Abra el aparato aflojando el tornillo y abriendo la tapa del aparato.
- ▶ Desenrosque el tubo de empalme de agua fría del racor doble. Gire hacia arriba el tubo de empalme de agua fría.
- ▶ Retire el filtro del racor doble. Limpie el filtro.
- ▶ Enrosque el tubo de empalme de agua fría con el filtro con borde de estanqueidad en el racor doble.
- ▶ Abra la válvula de cierre en la tubería de suministro de agua fría.
- ▶ Purgue el aire del aparato y de la tubería de suministro de agua fría (véase el capítulo "Puesta en marcha / Primera puesta en marcha").
- ▶ Compruebe la conexión del agua fría para ver si hay fugas.
- ▶ Enganche la tapa del aparato por la parte superior trasera en la pared posterior del aparato. Gire la tapa del aparato hacia abajo. Compruebe que la tapa del aparato quede firmemente asentada por arriba y abajo. Fije la tapa del aparato con el tornillo.
- ▶ Conecte la fuente de suministro.

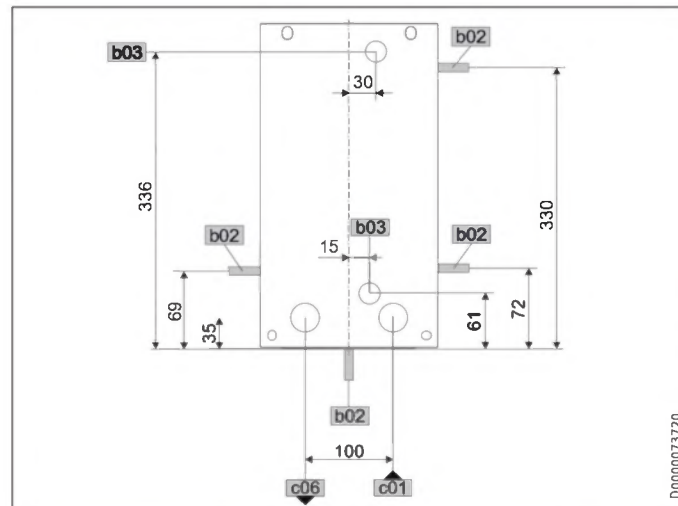
16. Especificaciones técnicas

16.1 Dimensiones y conexiones



DCE-S Plus		
b02	Tendido de cableado eléct. I	Visto
c01	Alimentación del agua fría	Rosca exterior G 1/2 A
c06	Salida de agua caliente	Rosca exterior G 1/2 A

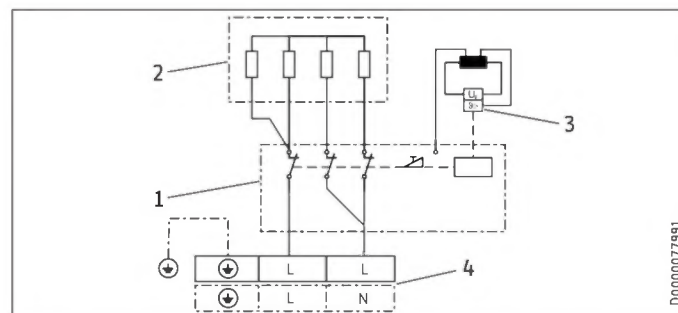
Posibilidades de conexión alternativas



DCE-S Plus		
b02	Tendido de cableado eléct. I	Visto
b03	Tendido de cableado eléct. II	Oculto
c01	Alimentación del agua fría	Rosca exterior G 1/2 A
c06	Salida de agua caliente	Rosca exterior G 1/2 A

16.2 Diagrama eléctrico

DCE-S Plus	
	2/GRD ~ 220 - 240 V
	1/N/PE ~ 220 - 240 V



- 1 Electrónica de potencia con interruptor de seguridad integrado
- 2 Sistema de calefacción de cables desnudos
- 3 Limitador de temperatura de seguridad
- 4 Terminal de conexión eléctrica

INSTALACIÓN

Especificaciones técnicas

16.3 Rendimiento de agua caliente

El rendimiento de agua caliente depende de la fuente de suministro existente, de la potencia conectada del aparato y de la temperatura de admisión del agua fría. La tensión de alimentación y la potencia nominal se pueden consultar en la placa de especificaciones técnicas.

Potencia conectada en kW			Rendimiento de agua caliente a 38 °C en L/min.			
Tensión de alimentación			Temperatura de suministro del agua fría			
220 V	230 V	240 V	5 °C	10 °C	15 °C	20 °C
DCE-S 6/8 Plus						
6,0			2,6	3,1	3,7	4,8
8,0			3,5	4,1	5,0	6,3
	6,6		2,9	3,4	4,1	5,2
	8,7		3,8	4,4	5,4	6,9
		7,2	3,1	3,7	4,5	5,7
		9,6	4,2	4,9	6,0	7,6
DCE-S 10/12 Plus						
10,0			4,3	5,1	6,2	7,9
12,0			5,2	6,1	7,5	9,5
	11,0		4,8	5,6	6,8	8,7
	13,1		5,7	6,7	8,1	10,4
		12,0	5,2	6,1	7,5	9,5
		14,3	6,2	7,3	8,9	11,3

Potencia conectada en kW			Rendimiento de agua caliente a 50 °C en L/min.			
Tensión de alimentación			Temperatura de suministro del agua fría			
220 V	230 V	240 V	5 °C	10 °C	15 °C	20 °C
DCE-S 6/8 Plus						
6,0			1,9	2,1	2,4	2,9
8,0			2,5	2,9	3,3	3,8
	6,6		2,1	2,4	2,7	3,1
	8,7		2,8	3,1	3,6	4,1
		7,2	2,3	2,6	2,9	3,4
		9,6	3,0	3,4	3,9	4,6
DCE-S 10/12 Plus						
10,0			3,2	3,6	4,1	4,8
12,0			3,8	4,3	4,9	5,7
	11,0		3,5	3,9	4,5	5,2
	13,1		4,2	4,7	5,3	6,2
		12,0	3,8	4,3	4,9	5,7
		14,3	4,5	5,1	5,8	6,8

16.7 Datos sobre el consumo energético

Hoja de datos del producto: Calentador convencional según reglamento (UE) n.º 812/2013 | 814/2013

		DCE-S 6/8 Plus	DCE-S 10/12 Plus
		238153	238154
Fabricante		STIEBEL ELTRON	STIEBEL ELTRON
Perfil de carga		XS	XS
Clase de eficiencia energética		A	A
Rendimiento energético	%	39	39
Consumo anual de corriente	kWh	472	474
Ajuste de temperatura de fábrica	°C	60	60
Nivel de potencia acústica	dB(A)	15	15
Notas especiales para medir la eficiencia		Medido con el limitador de caudal incorporado, potencia máxima y valor de referencia máximo	Medido con el limitador de caudal incorporado, potencia máxima y valor de referencia máximo
Consumo diario de corriente	kWh	2,161	2,174

16.4 Ámbitos de aplicación / Tabla de conversión

Resistencia eléctrica específica y conductividad eléctrica específica.

Indicación estándar a 15 °C			20 °C			25 °C		
Resistencia $\rho \geq$	Conductividad $\sigma \leq$		Resistencia $\rho \geq$	Conductividad $\sigma \leq$		Resistencia $\rho \geq$	Conductividad $\sigma \leq$	
Ωcm	mS/m	$\mu\text{S/cm}$	Ωcm	mS/m	$\mu\text{S/cm}$	Ωcm	mS/m	$\mu\text{S/cm}$
1100	91	910	970	103	1031	895	112	1117

16.5 Pérdida de presión

Grifería/valvulería

Pérdida de presión de la grifería/valvulería a un caudal de 10 L/min

Mezclador monomanual, aprox.	MPa	0,04 - 0,08
Valvulería del termostato, aprox.	MPa	0,03 - 0,05
Cabezal de la ducha, aprox.	MPa	0,03 - 0,15

Dimensionado de la red de tuberías

Para calcular el dimensionado de la red de tuberías se recomienda una pérdida de presión de 0,1 MPa para el aparato.

16.6 Condiciones en caso de avería

En la instalación pueden aparecer, en caso de avería y de forma breve, cargas de máx. 80 °C con una presión de 1,0 MPa.

16.8 Tabla de especificaciones

		DCE-S 6/8 Plus			DCE-S 10/12 Plus		
		238153			238154		
Especificaciones eléctricas							
Tensión de alimentación	V	220	230	240	220	230	240
Potencia nominal	kW	6,0/8,0	6,6/8,7	7,2/9,6	10,0/12,0	11,0/13,1	12,0/14,3
Corriente nominal	A	27,3/36,4	28,5/38,0	30,0/40,0	45,5/54,5	47,8/57,0	50,0/59,5
Fusible	A			30/40			50/60
Frecuencia	Hz			50/60			50/60
Fases				1/N/PE			1/N/PE
Resistencia específica $\rho_{15} \geq$	Ω cm			1100			1100
Conductividad específica $\sigma_{15} \leq$	μ S/cm			910			910
Impedancia máx. de red a 50 Hz	Ω	0,0385	0,0368	0,0353	0,0257	0,0245	0,0235
Conexiones							
Conexión de agua				G 1/2 A			G 1/2 A
Límites de utilización							
Presión mínima de suministro	MPa		0,18 (1,8 bar / 26 psi)		0,18 (1,8 bar / 26 psi)		
Presión máx. admisible	MPa		1 (10 bar / 150 psi)		1 (10 bar / 150 psi)		
Temperatura de admisión máx. para postcalentamiento	$^{\circ}$ C			55			55
Ámbito de ajuste de temperatura	$^{\circ}$ C			20-60			20-60
Valores							
Temperatura de admisión máx. (p. ej., desinfección térmica)	$^{\circ}$ C			70			70
ON	l/min			1,3			1,3
Caudal con 28 K	l/min		3,1/4,1 a 220 V		5,1/6,2 a 220 V		
Caudal con 50 K	l/min		1,7/2,3 a 220 V		2,9/3,5 a 220 V		
Pérdida de presión para caudal con 50 K (sin limitador de flujo)	MPa			0,01/0,01			0,02/0,03
Límite de caudal en	l/min			4			5
Especificaciones hidráulicas							
Contenido nominal	l			0,277			0,277
Ejecuciones							
Tipo de montaje				Sobre mesa/bajo mesa			Sobre mesa/bajo mesa
Potencia conectada seleccionable				X			X
Clase de protección				1			1
Bloque de aislamiento				Plástico			Plástico
Sistema de calefacción con generador de calor				Alambre desnudo			Alambre desnudo
Tapa y pared posterior				Plástico			Plástico
Color				Blanco			Blanco
Tipo de protección (IP)				IP 25			IP 25
Dimensiones							
Altura	mm			372			372
Ancho	mm			217			217
Profundidad	mm			109			109
Pesos							
Peso	kg			2,5			2,5



Nota

El aparato cumple la norma IEC 61000-3-12.

Garantía

Para los aparatos adquiridos fuera de Alemania no son aplicables las condiciones de garantía de nuestras sociedades alemanas. Además, en los países en los que alguna de nuestras filiales comercialice nuestros productos, la garantía sólo será otorgada por dicha filial. Este tipo de garantía únicamente se otorgará si la filial hubiera publicado unas condiciones de garantía propias. No se otorgará ninguna garantía adicional.

No otorgamos ninguna garantía para aquellos aparatos adquiridos en países en los que ninguna de nuestras filiales comercialicen nuestros productos. Cualquier garantía asegurada por el importador permanecerá inalterada.

Medio ambiente y reciclado

Colabore para proteger nuestro medio ambiente. Elimine los materiales después de su uso conforme a la normativa nacional vigente.

POSEBNE NAPOMENE

RUKOVANJE

1. Opće napomene	51
1.1 Sigurnosne napomene	51
1.2 Druge oznake u ovoj dokumentaciji	52
1.3 Mjerne jedinice	52
2. Sigurnost	52
2.1 Namjenska uporaba	52
2.2 Opće sigurnosne napomene	52
2.3 Ispitni znak	52
3. Opis uređaja	52
3.1 Namještanje zadane temperature	53
3.2 Preporuke za namještanje	53
4. Čišćenje, njega i održavanje	53
5. Otklanjanje problema	53

INSTALACIJA

6. Sigurnost	54
6.1 Opće sigurnosne napomene	54
6.2 Pogon tuša	54
6.3 Propisi, norme i odredbe	54
7. Opis uređaja	54
7.1 Opseg isporuke	54
7.2 Pribor	54
8. Pripreme	54
8.1 Mjesto montaže	54
8.2 Minimalni razmaci	55
8.3 Vodoinstalacija	55
9. Montaža	55
9.1 Standardna nadžbukna montaža	55
10. Puštanje u rad	57
10.1 Interna zaštita od oparotina preko utora za premosnik	57
10.2 Promjena priključne snage pomoću utičnog mjesta premosnika	57
10.3 Prvo puštanje u rad	57
10.4 Ponovno puštanje u rad	58
11. Stavljanje izvan pogona	58
12. Alternativna montaža	58
12.1 Električni priključak gore, nadžbukna montaža	58
12.2 Električni priključak dolje, podžbukna montaža	59
12.3 Električni priključak kod prekratkog mrežnog priključnog kabela	59
12.4 Električni priključak kod nadžbukne montaže bočno	59
12.5 Podžbukna instalacija vode	59
12.6 Rad s unaprijed zagrijanom vodom	60
13. Servisne informacije	60
14. Otklanjanje kvarova	61
15. Održavanje	61
15.1 Pražnjenje uređaja	61
15.2 Čišćenje sita	62
16. Tehnički podatci	62
16.1 Mjere i priključci	62
16.2 Električna spojna shema	63
16.3 Učinak tople vode	63
16.4 Područja primjene / Tablica za preračunavanje	63

16.5 Pad tlaka	63
16.6 Uvjeti u slučaju smetnje	63
16.7 Podatci o potrošnji energije	63
16.8 Tablica s podacima	64

JAMSTVO

OKOLIŠ I RECIKLIRANJE

POSEBNE NAPOMENE

- Uređaj mogu upotrebljavati djeca starija od 3 godina te osobe smanjenih fizičkih, osjetilnih ili mentalnih sposobnosti ili osobe s nedovoljnim iskustvom i znanjem ako su pod nadzorom ili su upućene u sigurnu uporabu uređaja te shvaćaju opasnosti koje bi mogle nastati. Djeca se ne smiju igrati s ovim uređajem. Djeca ne smiju bez nadzora obavljati čišćenje i održavanje koje inače vrši korisnik.
- Tijekom rada slavina se može zagrijati na temperaturu do najviše 70 °C. Kod temperatura izlazne vode većih od 43 °C postoji opasnost od oparina.
- Ovaj uređaj prikladan je za opskrbu tuša (pogon tuša). Ako se uređaj koristi i za pogon tuša ili isključivo za pogon tuša, stručni serviser mora namjestiti područje namještanja temperature preko interne zaštite od oparotina u uređaju na 55 °C. Pri korištenju unaprijed zagrijane vode mora se osigurati da nije prekoračena temperatura ulazne vode od 55 °C.
- Uređaj se mora moći odvojiti od mrežnog priključka preko rastavne dionice od najmanje 3 mm na svim polovima.
- Navedeni napon mora odgovarati dovodu napona.
- Uređaj mora biti priključen na zaštitni vodič.
- Uređaj mora biti trajno priključen na fiksno ožičenje.
- Pričvrstite uređaj na način opisan u poglavlju „Instalacija / Montaža“.
- Obratite pozornost na granice primjene (vidjeti poglavlje „Instalacija / Tehnički podatci / Tablica s podacima“).
- Ne smije se prekoračiti donja granica specifičnog otpora vode iz vodoopskrbne mreže (vidi poglavlje „Instalacija / Tehnički podatci / Tablica s podacima“).

- Ispraznite uređaj na način opisan u poglavlju „Instalacija / Održavanje / Pražnjenje uređaja“.

RUKOVANJE

1. Opće napomene

Poglavlja „Posebne napomene“ i „Rukovanje“ namijenjena su korisniku uređaja i stručnom serviseru.

Poglavlje „Instalacija“ namijenjeno je stručnom serviseru.



Napomena

Prije uporabe uređaja pažljivo pročitajte ove upute i sačuvajte ih.

Upute po potrebi predajte sljedećem korisniku.

1.1 Sigurnosne napomene

1.1.1 Struktura sigurnosnih napomena



SIGNALNA RIJEČ Vrsta opasnosti

Ovdje su navedene moguće posljedice u slučaju nepoštovanja sigurnosnih napomena.

► Ovdje su navedene mjere za uklanjanje opasnosti.

1.1.2 Simboli, vrsta opasnosti

Simbol	Vrsta opasnosti
	Ozljeda
	Strujni udar
	Opekлина (opeklina, oparina)

1.1.3 Signalne riječi

SIGNALNA RIJEČ	Značenje
OPASNOST	Napomene čije nepoštovanje dovodi do teških ozljeda ili smrti.
UPOZORENJE	Napomene čije nepoštovanje može dovesti do teških ozljeda ili smrti.
OPREZ	Napomene čije nepoštovanje može dovesti do srednje teških ili lakih ozljeda.

1.2 Druge oznake u ovoj dokumentaciji



Napomena

Opće napomene označene su simbolom pored.
▶ Pažljivo pročitajte tekst napomena.

Simbol	Značenje
	Materijalne štete (štete na uređaju, posljedične štete, štete za okoliš)
	Zbrinjavanje uređaja

▶ Ovaj simbol ukazuje vam na ono što je potrebno napraviti.
Potrebne radnje opisane su korak po korak.

1.3 Mjerne jedinice



Napomena

Ako nije drugačije navedeno, sve su mjere izražene u milimetrima.

2. Sigurnost

2.1 Namjenska uporaba

Ovaj uređaj služi za zagrijavanje pitke vode ili za dogrijavanje unaprijed zagrijane vode. Ovaj uređaj može opskrbljivati jedno ili više ispusnih mjesta.

Kad se prekorači maksimalna temperatura ulazne vode za dogrijavanje, ne vrši se dogrijavanje.

Uređaj je predviđen za primjenu u kućanstvu. Neupućene osobe uređajem mogu sigurno rukovati. Izvan kućanstva, npr. u malom obrtu, uređaj se također može koristiti, ako se to vrši na isti način.

Svaka druga uporaba ili uporaba koja prelaze te granice nije namjenska. Namjenska uporaba podrazumijeva i poštovanje ovih uputa te naputaka za korišteni pribor.

2.2 Opće sigurnosne napomene



OPREZ opekline

Tijekom rada slavina se može zagrijati na temperaturu do najviše 70 °C.
Kod temperatura izlazne vode većih od 43 °C postoji opasnost od oparina.



OPREZ opekline

Ako se ovim uređajem koriste djeca ili osobe ograničenih tjelesnih, osjetilnih ili mentalnih sposobnosti, potrebno je trajno i nepromjenjivo ograničenje temperature. Stručni serviser neka namjesti internu zaštitu od oparina.



OPREZ opekline

Pri radu s unaprijed zagrijanom vodom, npr. pri korištenju solarnog sustava, poštujujte sljedeću napomenu: Temperatura tople vode može prekoračiti namještenu zadanu temperaturu odn. namješteno ograničenje temperature.

▶ U tom slučaju ograničite temperaturu na predspojenoj središnjoj termostatskoj slavini.



UPOZORENJE na ozljede

Uređaj mogu upotrebljavati djeca starija od 3 godina te osobe smanjenih fizičkih, osjetilnih ili mentalnih sposobnosti ili osobe s nedovoljnim iskustvom i znanjem ako su pod nadzorom ili su upućene u sigurnu uporabu uređaja te shvaćaju opasnosti koje bi mogle nastati. Djeca se ne smiju igrati s ovim uređajem. Djeca ne smiju bez nadzora obavljati čišćenje i održavanje koje inače vrši korisnik.



Materijalne štete

Uređaj i slavinu korisnik mora zaštititi od smrzavanja.



Napomena

Da biste osigurali vrstu zaštite IP 25, za pričvršćenje uređaja na zid morate upotrijebiti vijke s upuštenom glavom.

2.3 Ispitni znak

Pogledajte natpisnu pločicu na uređaju.

3. Opis uređaja

Čim otvorite ventil za toplu vodu na slavini, uređaj se automatski uključuje. Kada zatvorite slavinu, uređaj se ponovno automatski isključuje.

Ovaj uređaj zagrijava vodu dok ona protječe kroz njega. Zadanu temperaturu je moguće namjestiti. Od neke utvrđene količine protoka regulacija ovisno o namještenoj temperaturi i temperaturi hladne vode uključuje potrebnu snagu grijanja.

Elektronički regulirani protočni grijač s automatskom prilagodbom snage održava temperaturu izlazne vode konstantnom. To se događa neovisno o temperaturi ulazne vode do maksimalnog učinka uređaja.

Ako se uređaj upotrebljava s unaprijed zagrijanom vodom i temperatura ulazne vode prekorači namještenu temperaturu, voda se dalje ne zagrijava.

Sustav grijanja

Sustav grijanja s neizoliranim žicama obložen je plastičnim omotačem otpornim na tlak. Ovaj sustav grijanja s grijačem spiralom od nehrđajućeg čelika prikladan je za vodu s malo i za vodu s puno kamenca, na kamenac je poprilično neosjetljiv. Sustav grijanja osigurava brzu i učinkovitu opskrbu toplom vodom.



Napomena

Ovaj je uređaj opremljen prepoznavanjem zraka koje u znatnoj mjeri sprječava oštećenje sustava grijanja. Ako tijekom rada u uređaj dospije zrak, uređaj na jednu minutu isključuje snagu grijanja i tako štiti sustav grijanja.

Nakon prekida vodoopskrbe

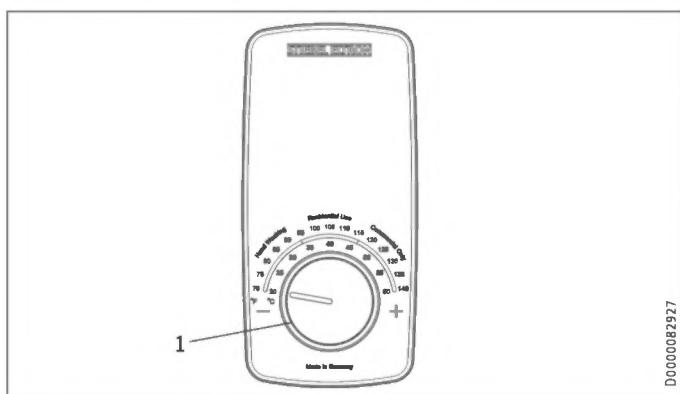


Materijalne štete

Da ne bi došlo do oštećenja sustava grijanja s neizoliranim žicama nakon prekida vodoopskrbe, uređaj morate ponovno pustiti u rad prateći sljedeće korake.

- ▶ Odvojite uređaj od izvora napona isključivanjem osigurača.
- ▶ Odzračite uređaj i dovodni vod hladne vode (vidjeti poglavlje „Instalacija / Puštanje u rad / Prvo puštanje u rad“).
- ▶ Ponovno uključite dovod napona.

3.1 Namještanje zadane temperature



1 Gumb za namještanje zadane temperature

3.2 Preporuke za namještanje

Vaš protočni grijač osigurava maks. točnost i maks. komfor u pripremi tople vode. Ako ipak trebate koristiti svoj uređaj s termostatskom slavicom, preporučujemo:

- ▶ Namjestite zadanu temperaturu na uređaju na vrijednost veću od 50 °C. Zatim željenu zadanu temperaturu namjestite na termostatskoj slavini.

Ušteda energije

Najmanje energije troši se pri sljedećim postavkama koje preporučujemo:

- 38 °C za mali umivaonik za ruke, tuš, kadu
- 55 °C za sudoper

Ograničenje temperature pomoću interne zaštite od oparina (stručni serviser)

Po želji stručni serviser može namjestiti trajno ograničenje temperature, npr. u vrtičima, bolnicama itd.

Kod opskrbe tuša stručni serviser mora ograničiti područje namještanja temperature u uređaju na 55 °C ili na nižu temperaturu.

Ograničenje sprečava da voda istječe iz uređaja pri temperaturama pri kojima može doći do oparina.

Preporuka za namještanje pri radu s termostatskom slavicom i unaprijed solarno zagrijanom vodom

- ▶ Namjestite temperaturu na uređaju na maksimalnu temperaturu.

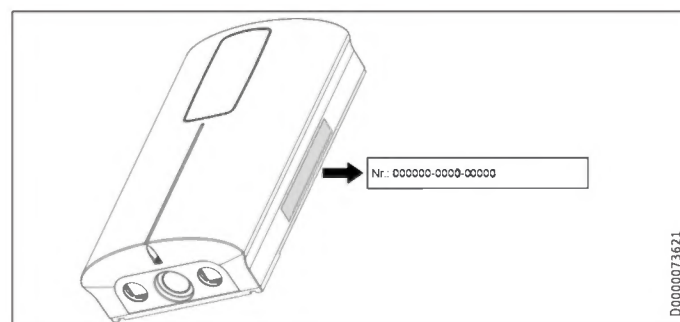
4. Čišćenje, njega i održavanje

- ▶ Ne upotrebljavajte sredstva za čišćenje koja grebu ili otapaju. Za njegu i čišćenje uređaja dovoljna je vlažna krpa.
- ▶ Redovito kontrolirajte slavine. Kamenac na izlazu slavina možete ukloniti običnim sredstvima za uklanjanje kamenca.

5. Otklanjanje problema

Problem	Uzrok	Rješenje
Uređaj se ne uključuje iako je ventil za toplu vodu do kraja otvoren.	Nema napona.	Provjerite osigurače u kućnoj instalaciji.
	Na regulatoru mlaza u slavini ili na glavi tuša nakupili su se kamenac ili onečišćenja.	Očistite mlazni regulator ili glavu tuša i/ili uklonite kamenac iz njih.
	Došlo je do prekida vodoopskrbe.	Odzračite uređaj i dovodni vod hladne vode (vidjeti poglavlje „Instalacija / Puštanje u rad / Prvo puštanje u rad“).
Dok se crpi topla voda, nakratko istječe hladna voda.	Prepoznavanje zraka detektira zrak u vodi. Ono kratkotrajno isključuje grijanje.	Nakon 1 minute uređaj samostalno počinje ponovno raditi.
Tijekom rada se javlja zvuk vrenja.	Uređaj nije odzračen.	Odzračite uređaj (vidjeti poglavlje „Instalacija / Puštanje u rad / Prvo puštanje u rad“).
	Tlak opskrbe je premalen.	Uvjerite se da je minimalni tlak opskrbe dostignut (vidjeti poglavlje „Instalacija / Tehnički podatci / Tablica s podacima“).
Željena se temperatura ne može namjestiti.	Interna zaštita od oparina je aktivirana.	Internu zaštitu od oparina može mijenjati samo serviser.

Ako ne možete ukloniti uzrok, pozovite stručnog serviser. Radi bolje i brže pomoći priopćite mu broj natpisne pločice (000000-0000-000000).



INSTALACIJA

6. Sigurnost

Instalaciju, puštanje u rad, održavanje i popravak uređaja smije provoditi samo stručni serviser.

6.1 Opće sigurnosne napomene

Jamčimo besprijekoran rad i radnu sigurnost samo ako su korišteni originalni pribor namijenjen uređaju i originalni rezervni dijelovi.



Materijalne štete

Pridržavajte se maksimalne temperature ulazne vode. Kod viših temperatura može doći do oštećenja uređaja. Ugradnjom središnje termostatske slavine možete ograničiti maksimalnu temperaturu ulazne vode.



UPOZORENJE strujni udar

Ovaj uređaj sadržava kondenzatore koji se prazne nakon odvajanja od strujne mreže. Napon pražnjenja kondenzatora kratkotrajno može iznositi event. > 60 V DC.

6.2 Pogon tuša



OPREZ opekline

► Pri opskrbi tuša namjestite internu zaštitu od oparina na 55 °C ili manje, pogledajte poglavlje „Puštanje u rad/Pripreme“.



OPREZ opekline

Pri radu s unaprijed zagrijanom vodom, npr. pri korištenju solarnog sustava, poštujujte sljedeću napomenu: Temperatura tople vode može prekoračiti namještenu zadanu temperaturu odn. namješteno ograničenje temperature.

► U tom slučaju ograničite temperaturu na predspojnoj središnjoj termostatskoj slavini.

6.3 Propisi, norme i odredbe



Napomena

Obratite pozornost na sve nacionalne i regionalne propise i odredbe.

- Vrsta zaštite IP 25 (zaštićeno od mlaza vode) zajamčena je samo kad je kabelski tuljac propisno montiran i kada se upotrebljavaju vijci s upuštenom glavom \varnothing 4,5 mm s maks. promjerom glave od 9 mm.
- Specifični električni otpor vode ne smije biti niži od onog navedenog na natpisnoj pločici. Kod kombinirane vodoopskrbne mreže uzmete u obzir najniži električni otpor vode. Specifični električni otpor vode ili električnu provodljivost vode možete saznati od svojeg vodoopskrbnog poduzeća.

7. Opis uređaja

7.1 Opseg isporuke

S uređajem se isporučuju:

- 2 dvostruke nazuvice s 45°
- 2 plosnate brtve
- 2 O-prstena
- kabelski tuljac
- sito
- graničnik količine protoka
- Premosnik za zaštitu od oparotina utaknut
- premosnik za prebacivanje snage, utaknut

7.2 Pribor

Montažni komplet za podžbuknu instalaciju vode (200016 - UP-Kit EU)

Montažni komplet za podžbuknu instalaciju vode sadržava:

- 2 tuljka za brtvljenje otvora u poledini uređaja.
- Sito s brtvenim rubom za ugradnju u dvostruku nazuvicu od 45°.
- Plosnata brtva

8. Pripreme

8.1 Mjesto montaže



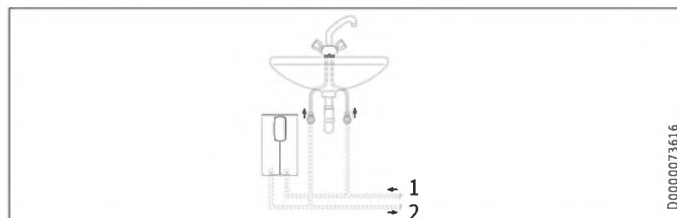
Materijalne štete

Ovaj se uređaj smije instalirati samo u prostoriji zaštićenoj od smrzavanja.

- Montirajte uređaj okomito i u blizini ispusnog mjesta.

Ovaj je uređaj prikladan i za montažu iznad i za montažu ispod umivaonika.

Montaža ispod umivaonika

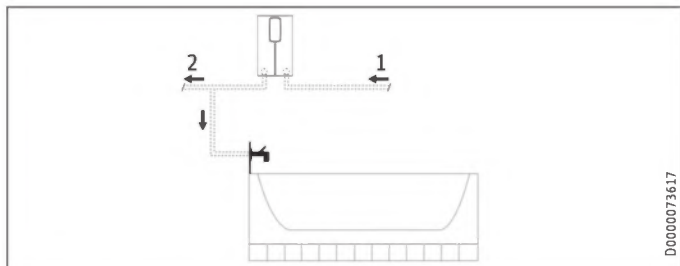


- 1 Ulazna hladna voda
- 2 Izlazna topla voda

INSTALACIJA

Montaža

Montaža iznad umivaonika



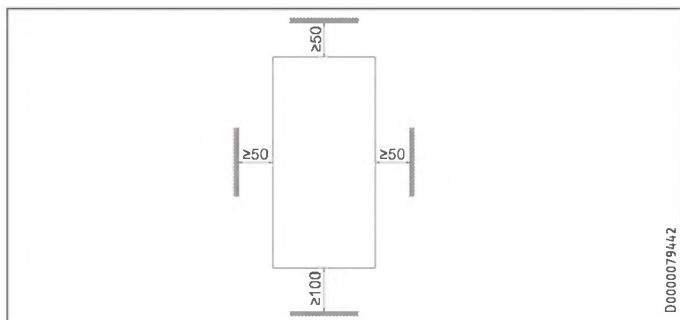
- 1 Ulazna hladna voda
- 2 Izlazna topla voda



Napomena

- ▶ Montirajte uređaj na zid. Zid mora imati dovoljnu nosivost.

8.2 Minimalni razmaci



- ▶ Pridržavajte se minimalnih razmaka kako biste zajamčili rad bez smetnji i omogućili radove održavanja na uređaju.

8.3 Vodoinstalacija



Materijalne štete

Propisno izvedite sve radove priključivanja vode i instalacijske radove.

- ▶ Dobro isperite vodovodnu cijev.

Slavine

Koristite prikladne tlačne slavine. Nisu dopuštene otvorene slavine.

Dopušteni materijali vodovodnih cijevi

- Dovodni vod hladne vode: vruće pocinčana čelična cijev, cijev od plemenitog čelika, bakrena cijev ili plastična cijev
- Izlazni vod tople vode: cijev od plemenitog čelika, bakrena cijev ili plastična cijev



Materijalne štete

Pri primjeni cijevnih sustava od plastike obratite pozornost na maksimalno dopuštenu temperaturu ulazne vode i maksimalno dopušteni tlak.

Volumni protok

- ▶ Pobrinite se da se postigne volumni protok potreban za uključivanje uređaja.
- ▶ Ako se, dok je do kraja otvoren odvodni ventil, ne postigne potrebni volumni protok, uklonite ograničivač količine protoka iz dovodnog voda hladne vode.

Po potrebi, međutim, možete povisiti i tlak u instalaciji vode.

9. Montaža

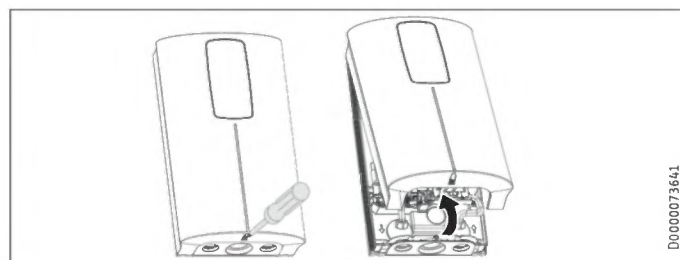
Tvorničke postavke	DCE-S 6/8 Plus	DCE-S 10/12 Plus
Interna zaštita od oparotina °C	60	60
Priključna snaga u kW	@ 220 V 8,0	12,0
	@ 230 V 8,7	13,1
	@ 240 V 9,6	14,3

Standardna montaža	DCE-S 6/8 Plus	DCE-S 10/12 Plus
Električni priključak dolje, nadžbukna instalacija	x	x
Priključak za vodu kod nadžbukne instalacije	x	x

Za ostale mogućnosti montaže vidi poglavlje „Alternativna montaža“.

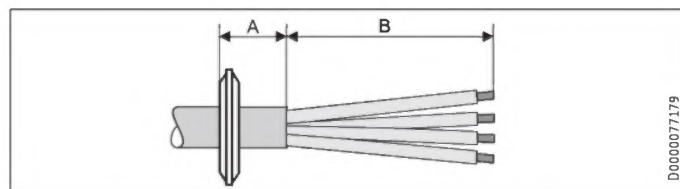
9.1 Standardna nadžbukna montaža

Otvaranje uređaja



- ▶ Otvorite uređaj popuštanjem vijaka i zakretanjem poklopca uređaja.

Priprema mrežnog priključnog kabela



- ▶ Pripremite mrežni priključni kabel.

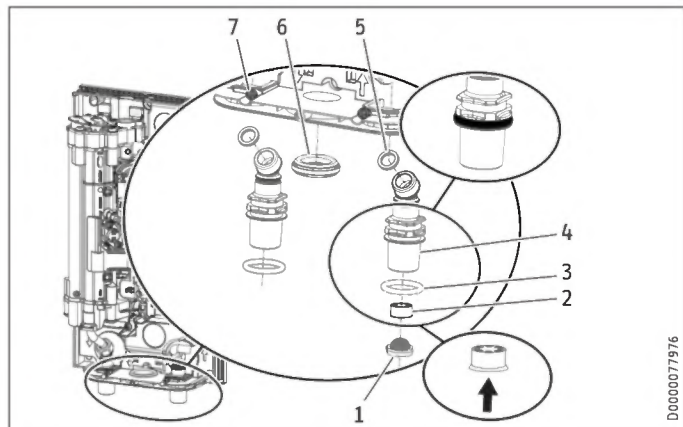
Pozicija nadžbukno	Mjera A	Mjera B
dolje, na sredini	30	120
dolje, lijeva strana uređaja	20	90
dolje, desna strana uređaja	20	90
gore, desna strana uređaja	20	80

Pozicija podžbukno	Mjera A	Mjera B
dolje	20	90
gore	20	80

INSTALACIJA

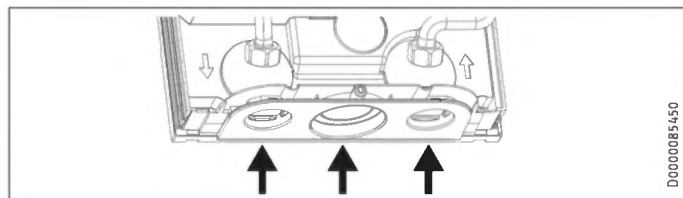
Montaža

Pripreme



- 1 sito
- 2 graničnik količine protoka
- 3 O-prsteni
- 4 dvostruke nazuvice s 45°
- 5 plosnate brtve
- 6 kabelski tuljac
- 7 sigurnosni vijci

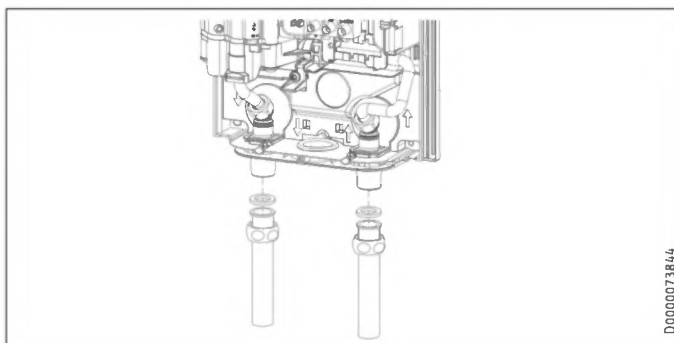
- ▶ Otpustite sigurnosne vijke.



- ▶ Kroz poledinu uređaja probijte / izbijte duž oznaka potrebne provodnice za mrežni priključni kabel i dvostruku nazuvicu. U tu svrhu upotrijebite prikladan plosnati alat. Oštre bridove izbrusite turpijom.
- ▶ Skinite transportne zaštitne čepove s cijevi za priključak vode.
- ▶ Prema izabranom priključnom vodu izrežite rupu u kabelskom tuljcu. Montirajte kabelski tuljac.
- ▶ Montirajte O-prstene u žlijeb dvostruke nazuvice.
- ▶ Utaknite dvostruke nazuvice u otvore na poledini uređaja i montirajte ih s plosnatim brtvama na priključne cijevi uređaja (pritezni moment 8 Nm).
- ▶ Osigurajte dvostruke nazuvice sigurnosnim vijcima.
- ▶ Montirajte ograničivač količine protoka i sito u dvostruku nazuvicu od priključka za hladnu vodu. Obratite pozornost na položaj ograničivača količine protoka.

Montaža uređaja

- ▶ Probijte/izbijte označene donje uzdužne provrte (razmak 175 mm) za pričvršćivanje uređaja (za položaje vidi poglavlje „Tehnički podatci/Mjere i priključci“) iz poledine uređaja. Oba gornja provrta za pričvršćenje već su otvorena.
- ▶ Ucrtajte 4 položaja za bušenje pomoću poledine uređaja.
- ▶ Izbušite provrte pa pričvrstite uređaj prikladnim materijalom za pričvršćivanje (vijci i pričvrsnice ne spadaju u opseg isporuke): vijak s upuštenom glavom \varnothing 4,5 mm s maks. promjerom glave od 9 mm.



- ▶ Montirajte prikladnu tlačnu slavinu.
- ▶ Vijcima pričvrstite cijevi za priključak vode za slavinu (nisu sadržane u opsegu isporuke) s plosnatim brtvama na dvostruke nazuvice.
- ▶ Otvorite zaporni ventil u dovodnom vodu hladne vode.

Uspostava električnog priključka



UPOZORENJE strujni udar

Propisno izvedite sve električne radove i radove priključivanja.



UPOZORENJE strujni udar

Priključak na strujnu mrežu dopušten je samo kao fiksni priključak u kombinaciji s kabelskom provodnicom koja se može izvaditi. Uređaj se mora moći odvojiti od mrežnog priključka preko rastavne dionice od najmanje 3 mm na svim polovima.



UPOZORENJE strujni udar

Pazite na to da uređaj bude priključen na zaštitni vodič.



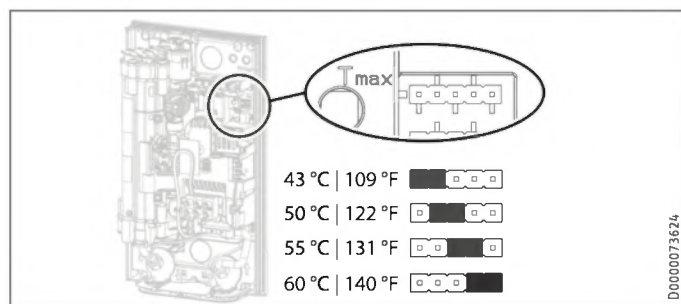
Materijalne štete

Obratite pozornost na natpisnu pločicu. Navedeni nazivni napon mora odgovarati dovodu napona.

- ▶ Gurnite mrežni priključni kabel kroz kabelski tuljac.
- ▶ Priključite mrežni priključni kabel na mrežnu priključnu stazaljku (vidi poglavlje „Instalacija/Tehnički podatci/Električna spojna shema“).

10. Puštanje u rad

10.1 Interna zaštita od oparotina preko utora za prenosnik



- ▶ Montirajte prenosnik na željenu poziciju pin letvice „Tmax“.

Pozicija prenosnika	Opis
43 °C 109 °F	npr. u vrtićima, bolnicama itd.
50 °C 122 °F	
55 °C 131 °F	maks. za pogon tuša
60 °C 140 °F	Tvornička postavka
bez prenosnika	Ograničenje 43 °C 109 °F



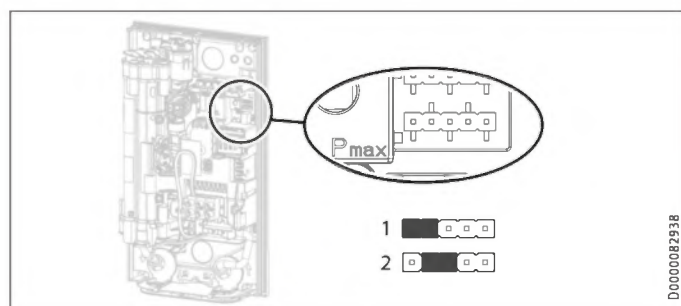
OPREZ opekline

Pri radu s unaprijed zagrijanom vodom, npr. pri korištenju solarnog sustava, interna se zaštita od oparina može prekoračiti.

- ▶ U tom slučaju ograničite temperaturu na predspojnoj središnjoj termostatskoj slavini.

10.2 Promjena priključne snage pomoću utičnog mjesta prenosnika

Kada na uređaju izaberete neku drugu priključnu snagu a ne onu koja je tvornički namještena, morate prespojiti prenosnik.

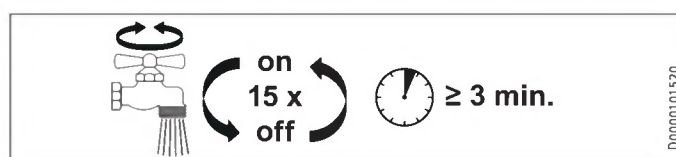


- ▶ Montirajte prenosnik na željenu poziciju pin letvice „Pmax“.

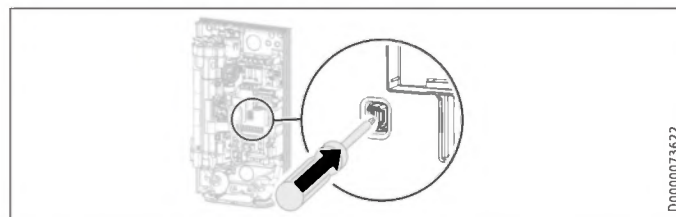
Pozicija prenosnika	Priključna snaga	DCE-S 6/8	DCE-S 10/12
		Plus	Plus
1 [low]	@ 220 V	6,0 kW	10,0 kW
	@ 230 V	6,6 kW	11,0 kW
	@ 240 V	7,2 kW	12,0 kW
2 [high]	@ 220 V	8,0 kW	12,0 kW
	Tvornička postavka @ 230 V	8,7 kW	13,1 kW
	@ 240 V	9,6 kW	14,3 kW
	bez prenosnika [low]	@ 220 V	6,0 kW
	@ 230 V	6,6 kW	11,0 kW
	@ 240 V	7,2 kW	12,0 kW

10.3 Prvo puštanje u rad

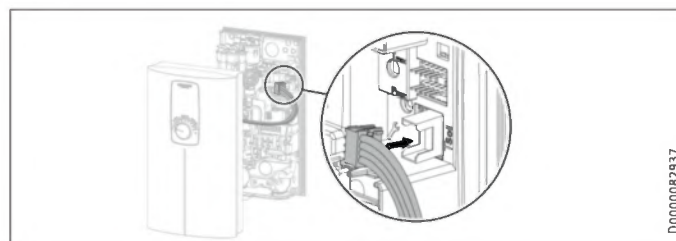
- ▶ Stavite križić pokraj odabrane snage priključivanja na natpismoj pločici. Za to upotrijebite kemijsku olovku.



- ▶ Otvorite i zatvorite unutar najmanje 3 minute 15 puta sve priključena ispusna mjesta dok u mreži vodova i uređaju ne bude više zraka. Odzračite dovodni vod hladne vode i uređaj s protokom od najmanje 3,5 l/min.
- ▶ Provedite kontrolu nepropusnosti.



- ▶ Aktivirajte sigurnosnu sklopku tako što ćete čvrsto utisnuti tipku za resetiranje (uređaj se isporučuje s deaktiviranom sigurnosnom sklopkom).

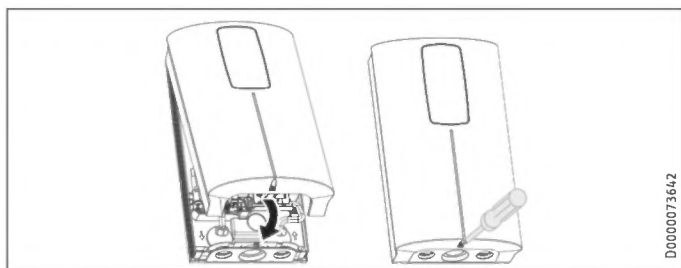


- ▶ Utaknite utikač spojnog kabela upravljačke jedinice na elektroniku.



Napomena

Obvezno utaknite spojni kabel upravljačke jedinice na elektroniku prije nego što priključite napon. Upravljačka jedinica je inače izvan funkcije.



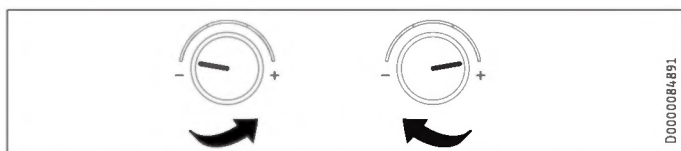
D0000073642

- ▶ Ovjesite poklopac uređaja na gornjoj strani iza poledine uređaja. Okrenite poklopac uređaja prema dolje. Provjerite naliježe li čvrsto poklopac uređaja gore i dolje.
- ▶ Poklopac uređaja pričvrstite vijkom.
- ▶ Uklonite zaštitnu foliju s upravljačke jedinice.



D0000053281

- ▶ Uključite dovod napona.
- ▶ Uvjerite se da upravljačka jedinica propisno funkcioniра.



D0000084891

- ▶ Okrećite gumb za namještanje temperature lijevo i desno do kraja.

10.3.1 Predaja uređaja

- ▶ Objasnite korisniku funkciju uređaja i upoznajte ga s uporabom uređaja.
- ▶ Uputite korisnika na moguće opasnosti, posebno na opasnost od oparina.
- ▶ Predajte ove upute.

10.4 Ponovno puštanje u rad



Materijalne štete

Da ne bi došlo do oštećenja sustava grijanja s neizoliranim žicama nakon prekida vodoopskrbe, uređaj morate ponovno pustiti u rad prateći sljedeće korake.

- ▶ Odvojite uređaj od izvora napona isključivanjem osigurača.
- ▶ Odzračite uređaj i dovodni vod hladne vode (vidjeti poglavlje „Puštanje u rad / Prvo puštanje u rad“).
- ▶ Ponovno uključite dovod napona.

11. Stavljanje izvan pogona

- ▶ Odvojite uređaj na svim polovima od mrežnog priključka.
- ▶ Ispraznite uređaj (vidi poglavlje „Održavanje / Pražnjenje uređaja“).

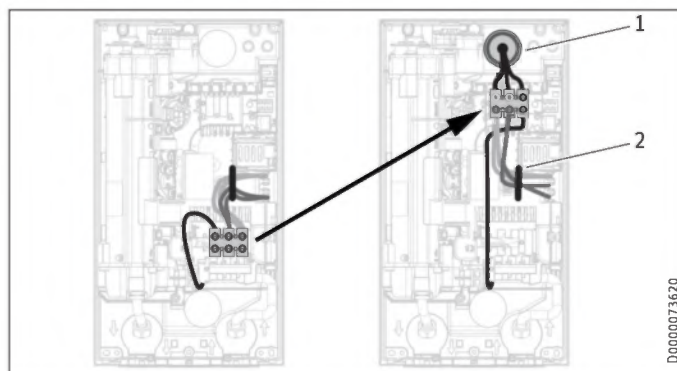
12. Alternativna montaža



UPOZORENJE strujni udar

Pri izvođenju svih radova odvojite uređaj na svim polovima od mrežnog priključka.

12.1 Električni priključak gore, nadžbukna montaža



D0000073620

- 1 kabelski tuljac
- 2 Kabelska provodnica

- ▶ Izbijte potrebnu provodnicu za mrežni priključni kabel iz poledine uređaja (za položaje vidi poglavlje „Tehnički podatci / Mjere i priključci“). Oštre bridove izbrusite turpijom.
- ▶ Prema izabranom priključnom vodu izrežite rupu u kabelskom tuljcu. Montirajte kabelski tuljac.
- ▶ Pomičite mrežnu priključnu stezaljku odozdo prema gore. U tu svrhu odglavite mrežnu priključnu stezaljku tako što ćete je snažno gurnuti ulijevo te izvući prema naprijed. Okrenite mrežnu priključnu stezaljku s priključnim kabelima za 180° u smjeru kazaljke sata. Postavite interno ožičenje ispod kabelske provodnice. Uglavite mrežnu priključnu stezaljku tako što ćete je utisnuti i gurati ulijevo dok se ne uglavi.
- ▶ Montirajte uređaj i priključite mrežni priključni kabel na mrežnu priključnu stezaljku kao što je opisano u poglavlju „Montaža/Standardna montaža u nadžbuknoj izvedbi“).

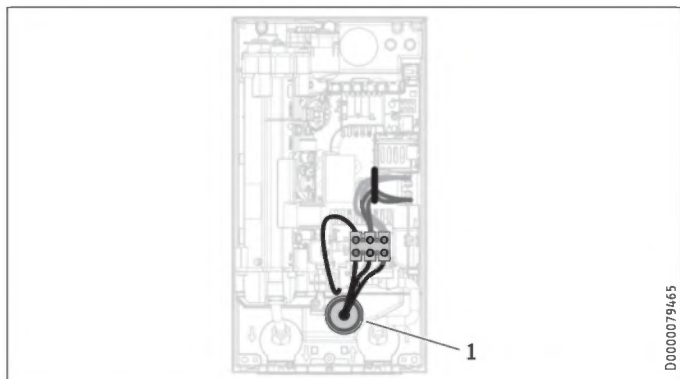


Napomena

Demontaža mrežne priključne stezaljke gore:

- ▶ Otvijačem deblokirajte uskočnu kuku s desne strane.

12.2 Električni priključak dolje, podžbukna montaža

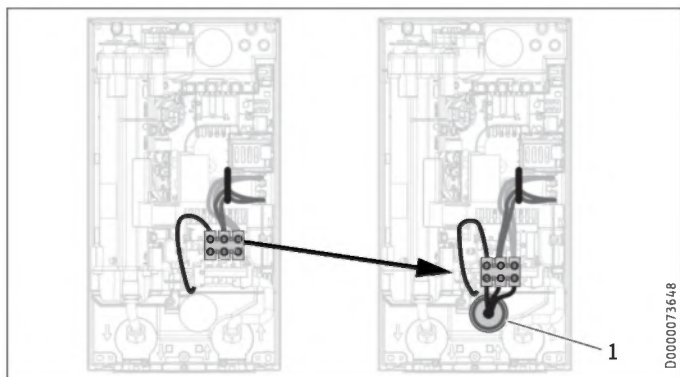


1 kabelski tuljac

- ▶ Izbijte potrebnu provodnicu za mrežni priključni kabel iz poledine uređaja (za položaje vidi poglavlje „Tehnički podatci / Mjere i priključci“). Oštre bridove izbrusite turpijom.
- ▶ Prema izabranom priključnom vodu izrežite rupu u kabelskom tuljcu. Montirajte kabelski tuljac.
- ▶ Montirajte uređaj i priključite mrežni priključni kabel na mrežnu priključnu stezaljku kao što je opisano u poglavlju „Montaža/Standardna montaža u nadžbuknoj izvedbi“).

12.3 Električni priključak kod prekratkog mrežnog priključnog kabela

Kod prekratkog mrežnog priključnog kabela mrežnu priključnu stezaljku u uređaju možete montirati bliže otvoru provodnice.



1 kabelski tuljac

- ▶ Pomičite mrežnu priključnu stezaljku odozgo prema dolje. U tu svrhu odglavite mrežnu priključnu stezaljku tako što ćete je snažno gurnuti ulijevo te izvući prema naprijed. Uglavite mrežnu priključnu stezaljku ispod tako što ćete je utisnuti i gurati ulijevo dok se ne uglavi.

12.4 Električni priključak kod nadžbukne montaže bočno

- ▶ Izrežite i izbijte potrebnu provodnicu za mrežni priključni kabel iz poledine uređaja i poklopca uređaja (za položaje vidi poglavlje „Tehnički podatci / Mjere i priključci“). Oštre bridove izbrusite turpijom.
- ▶ Montirajte uređaj i priključite mrežni priključni kabel na mrežnu priključnu stezaljku kao što je opisano u poglavlju „Montaža/Standardna montaža u nadžbuknoj izvedbi“).

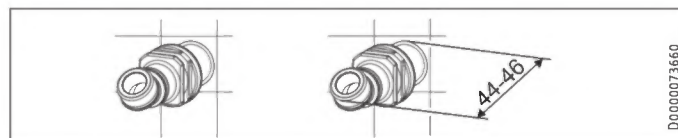
12.5 Podžbukna instalacija vode

Za instalaciju je potreban odgovarajući dodatni pribor. Montažni komplet „podžbukna instalacija vode“ sadržava:

- 2 tuljka za brtvljenje otvora u poledini uređaja.
- Sito s brtvjenim rubom za ugradnju u dvostruku nazuvicu od 45°.
- Plosnata brtva

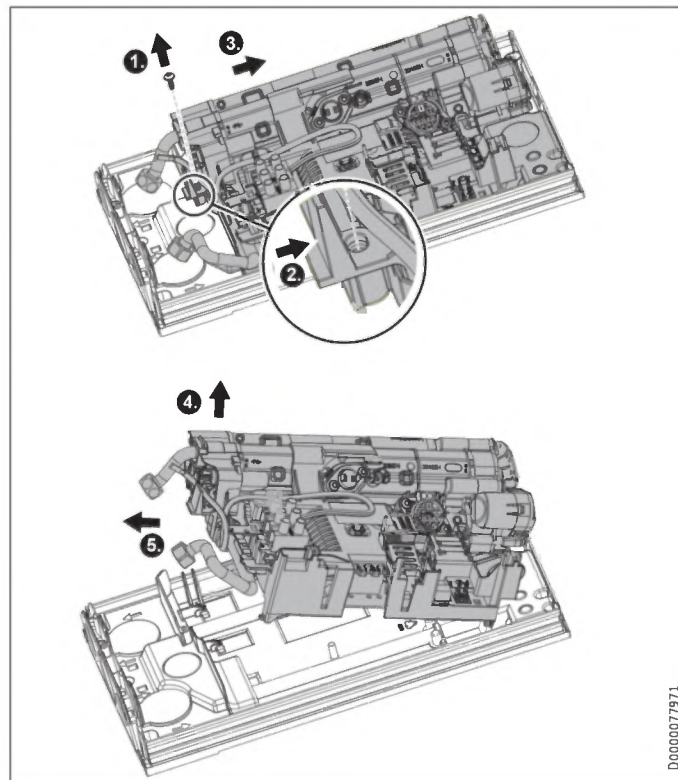
Osim toga, iz sadržaja isporuke uređaja potreban je ograničivač količine protoka.

Pripreme

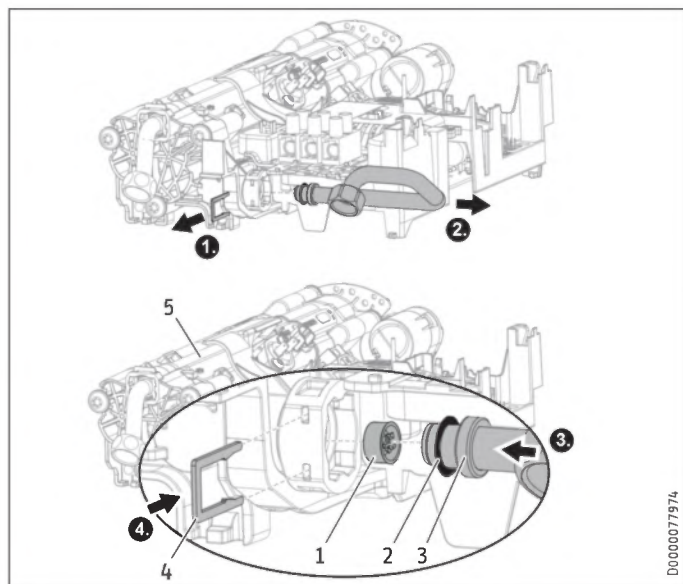


- ▶ Zabrtnite pa uvrnite dvostruku nazuvicu od 45°.

Za probijanje provodnica u poledini uređaja morate demontirati funkcijsku grupu sastavnica iz poledine uređaja.



- ▶ Odvijte vijak i odblokirajte uskočnu kuku.
- ▶ Lagano prema natrag gurnite funkcijsku grupu sastavnica u poledini uređaja.
- ▶ Podignite funkcijski ugradni sklop iz poledine uređaja tako što ćete ga lagano povući naprijed i izvaditi.
- ▶ Izbijte/probijte straga potrebne provodnice za priključke vode iz poledine uređaja (za položaje vidi poglavlje „Tehnički podatci / Mjere i priključci“). Oštre bridove izbrusite turpijom.



- 1 graničnik količine protoka
- 2 O-prsten
- 3 Cijevni luk za hladnu vodu s odjeljkom za sigurnosnu kopču
- 4 Sigurnosna kopča
- 5 Grijanje

- ▶ Demontirajte cijevni luk za hladnu vodu i O-prsten.
- ▶ Montirajte ograničivač količine protoka (iz sadržaja isporuke uređaja) u dovodni vod hladne vode grijanja. Pazite na smjer postavljanja.
- ▶ Montirajte cijevni luk za hladnu vodu s O-prstenom.

! Materijalne štete

Da bi uređaj bio zabrtvljen, O-prsten mora biti ugrađen.

- ▶ Pri ugradnji provjerite je li O-prsten na svom mjestu.

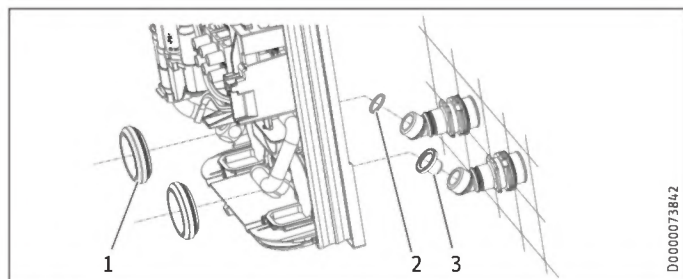
- ▶ Osigurajte cijevni luk za hladnu vodu sigurnosnom kopčom.

! Materijalne štete

Obratite pozornost na to da se sigurnosna kopča nalazi iza odjeljka cijevnog luka te da je cijevni luk fiksiran u svom položaju.

- ▶ Montirajte funkcijski ugradni sklop obrnutim redoslijedom u poleđinu uređaja tako da se on uglavi u mjesto.
- ▶ Funkcijsku grupu sastavnica pričvrstite vijkom.

Montaža uređaja



- 1 Tuljci
- 2 Plosnata brtva
- 3 Sito s brtvenim rubom

- ▶ Ucrtajte 2 položaja za bušenje u gornjem području poleđine uređaja pomoću poleđine uređaja.
- ▶ Montirajte tuljke s prednje strane u poleđinu uređaja.
- ▶ Izbušite provrte pa pričvrstite uređaj prikladnim materijalom za pričvršćivanje (vijci i pričvrtnice ne spadaju u opseg isporuke): vijak s upuštenom glavom \varnothing 4,5 mm s maks. promjerom glave od 9 mm.

! Napomena

▶ Montirajte uređaj na zid. Pričvrstite uređaj dodatno na 2 donje točke pričvršćivanja. U tu svrhu izbijte/probijte donje uzdužne provrte (razmak 175 mm) iz poleđine uređaja (za položaje vidi poglavlje „Tehnički podatci/Mjere i priključci“).

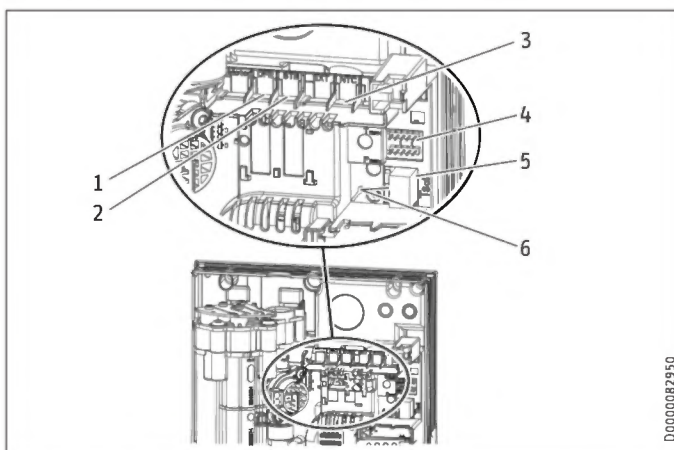
- ▶ Skinite transportne zaštitne čepove s cijevi za priključak vode.
- ▶ Vijcima pričvrstite priključnu cijev za toplu vodu s plosnatom brtvom, a dovodni vod za hladnu vodu sa sitom s brtvenim rubom (iz dodatnog pribora) na dvostruku nazuvicu.

12.6 Rad s unaprijed zagrijanom vodom

Ugradnjom središnje termostatske slavine ograničava se maksimalna temperatura ulazne vode.

13. Servisne informacije

Pregled priključaka / sastavnica



- 1 Detekcija protoka
- 2 Sigurnosni ograničivač temperature, samoresetirajući
- 3 NTC osjetnik
- 4 Pin letvica za priključnu snagu i zaštitu od oparotina
- 5 Utični položaj upravljačke jedinice
- 6 Dijagnostička signalizacija

14. Otklanjanje kvarova



UPOZORENJE strujni udar
Da biste mogli provjeriti uređaj, on mora biti spojen na opskrbu napona na uređaju.



Napomena
Provjera uređaja s dijagnostičkim signalnim svjetlima mora se provesti dok voda teče.

Mogućnosti prikaza dijagnostičke signalizacije (LED)

●○○○	crveno	svijetli u slučaju smetnje
○○●○	žuto	svijetli u pogonu grijanja / treperi pri postizanju granice snage
○○○●	zeleno	trepti: uređaj je na mrežnom priključku

Dijagnostička signalizacija (potrošnja)	Kvar	Uzrok	Rješenje
Niti jedna LED dioda ne svijetli.	Uređaj ne grije.	Nema jedne faze ili više faza mrežnog napona. Elektronika je neispravna.	Provjerite osigurače u kućnoj instalaciji. Zamijenite funkcijski ugradni sklop.
Zeleno treperi, žuto isključeno, crveno isključeno	Nema tople vode	Količina za uključivanje uređaja se ne postiže, kame-nac u glavi tuša/mlaznog regulatoru. Količina za uključivanje uređaja se ne postiže, sito u dovodu hladne vode je prljavo. Detekcija protoka nije utaknuta. Detekcija protoka neispravna ili prljava. Elektronika je neispravna.	Uklonite kamenac iz glave tuša/mlaznog regulatora/ zamijenite ih. Čišćenje sita Provjerite utični spoj, po potrebi ga ispravite. Zamijenite detekciju protoka. Zamijenite funkcijski ugradni sklop.
Zeleno treperi, žuto uključeno, crveno isključeno	Nema tople vode, tempera-tura izlaza vode ne odgovara zadanoj vrijednosti.	Slavina je neispravna. Upravljačka jedinica je nakon uključivanja mrežnog napona spojena s elektronikom. Osjetnik istjecanja neispravan. Sustav grijanja u kvaru Elektronika je neispravna.	Zamijenite slavinu. Isključite osigurače u kućnoj instalaciji i zatim ih ponovo uključite. Zamijenite osjetnik istjecanja. Zamijenite funkcijski ugradni sklop. Zamijenite funkcijski ugradni sklop.
Zeleno treperi, žuto isključeno, crveno uključeno	Nema tople vode, tempera-tura izlaza vode ne odgovara zadanoj vrijednosti.	Prepoznavanje zraka se aktiviralo. Sigurnosna sklopka nije aktivirana pri „prvom pušta-nju u rad“. Sigurnosni graničnik temperatura aktivirao je sigurnosnu sklopku. Sigurnosna sklopka se nakon izvršene provjere si-gurnosnog graničnika temperature ponovo aktivira, sigurnosni graničnik temperatura je neispravan. Sigurnosna sklopka ponovo se aktivira, elektronika je neispravna Kratki spoj osjetnika istjecanja Elektronika je neispravna.	Nastavite puštati vodu > 1 min. Aktivirajte sigurnosnu sklopku, u tu svrhu čvrsto pri-tisnite tipku za resetiranje. Provjerite sigurnosni graničnik temperature (utični spoj, spojni kabel), aktivirajte sigurnosnu sklopku. Zamijenite sigurnosni graničnik temperature, aktivi-rajte sigurnosnu sklopku i ispuštajte vodu s maksi-malnom zadanom vrijednošću > 1 min Zamijenite funkcijski ugradni sklop. Provjerite izlazni osjetnik, po potrebi ga zamijenite. Zamijenite funkcijski ugradni sklop.

15. Održavanje



UPOZORENJE strujni udar
Pri izvođenju svih radova odvojite uređaj na svim polo-vima od mrežnog priključka.
Ovaj uređaj sadržava kondenzatore koji se prazne nakon odvajanja od strujne mreže. Napon pražnjenja kondenza-tora kratkotrajno može iznositi event. > 60 V DC.

15.1 Pražnjenje uređaja

Uređaj možete isprazniti radi radova održavanja.



UPOZORENJE opekline
Dok praznite uređaj, može istjecati vruća voda.

- ▶ Zatvorite zaporni ventil u dovodnom vodu hladne vode.
- ▶ Otvorite sve odvodne ventile.
- ▶ Odvojite priključke za vodu od uređaja.
- ▶ Demontirani uređaj skladištite tako da je zaštićen od smrza-vanja jer se u uređaju nalazi preostala voda koja bi se mogla smrznuti i tako prouzročiti štetu.

15.2 Čišćenje sita



UPOZORENJE opekлина
Dok praznite uređaj, može istjecati vruća voda.



Materijalna šteta

Da ne bi došlo do oštećenja sustava grijanja s neizoliranim žicama nakon prekida vodoopskrbe, uređaj morate ponovno pustiti u rad prateći sljedeće korake.

- ▶ Odvojite uređaj od izvora napona isključivanjem osigurača.
- ▶ Odzračite uređaj i dovodni vod hladne vode (vidjeti poglavlje „Puštanje u rad / Prvo puštanje u rad“).
- ▶ Ponovno uključite dovod napona.

Sito u vijčanom priključku hladne vode treba redovito čistiti.

15.2.1 Očistite sito, standardna nadžbukna montaža

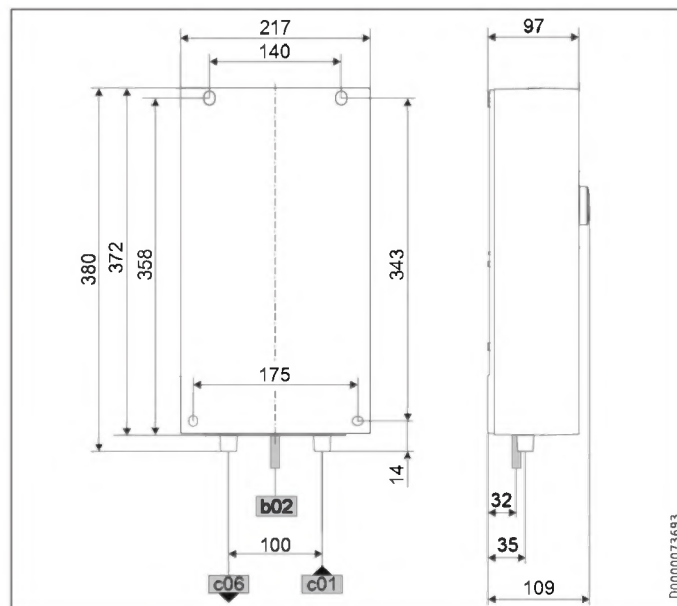
- ▶ Odvojite uređaj od izvora napona.
- ▶ Zatvorite zaporni ventil u dovodnom vodu hladne vode.
- ▶ Otvorite sve odvodne ventile.
- ▶ Demontirajte vijčani priključak hladne vode.
- ▶ Plosnatim odvijačem izvadite sito iz dvostruke nazuvice. Očistite sito.
- ▶ Ponovo montirajte sito. Zavrnite priključnu cijev za hladnu vodu na dvostruku nazuvicu.
- ▶ Otvorite zaporni ventil u dovodnom vodu hladne vode.
- ▶ Odzračite uređaj i dovodni vod hladne vode (vidjeti poglavlje „Puštanje u rad / Prvo puštanje u rad“).
- ▶ Uključite dovod napona.

15.2.2 Očistite sito, podžbukna instalacija vode

- ▶ Odvojite uređaj od izvora napona.
- ▶ Zatvorite zaporni ventil u dovodnom vodu hladne vode.
- ▶ Otvorite sve odvodne ventile.
- ▶ Otvorite uređaj popuštanjem vijka i zakretanjem poklopca uređaja.
- ▶ Odvrnite priključnu cijev za hladnu vodu s dvostruke nazuvice. Zakrenite priključnu cijev za hladnu vodu prema gore.
- ▶ Izvadite sito iz dvostruke nazuvice. Očistite sito.
- ▶ Zavrnite priključnu cijev za hladnu vodu sa sitom s brtvenim rubom na dvostruku nazuvicu.
- ▶ Otvorite zaporni ventil u dovodnom vodu hladne vode.
- ▶ Odzračite uređaj i dovodni vod hladne vode (vidjeti poglavlje „Puštanje u rad / Prvo puštanje u rad“).
- ▶ Provjerite nepropusnost priključka za hladnu vodu.
- ▶ Ovjesite poklopac uređaja na gornjoj strani iza poledine uređaja. Okrenite poklopac uređaja prema dolje. Provjerite naliježe li poklopac uređaja čvrsto i gore i dolje. Poklopac uređaja pričvrstite vijkom.
- ▶ Uključite dovod napona.

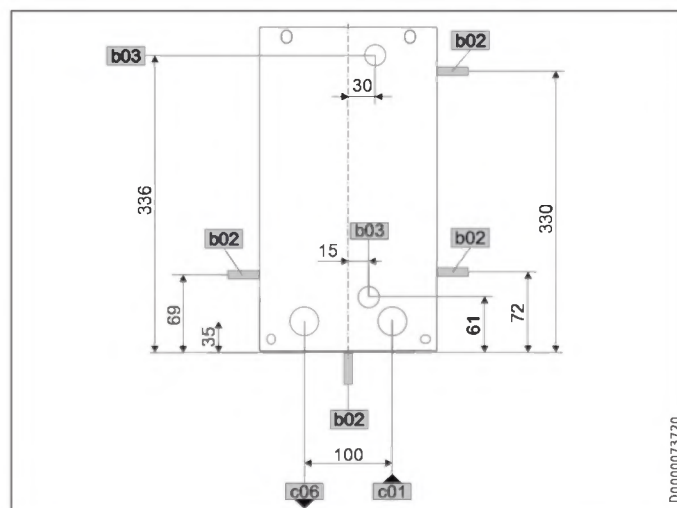
16. Tehnički podatci

16.1 Mjere i priključci



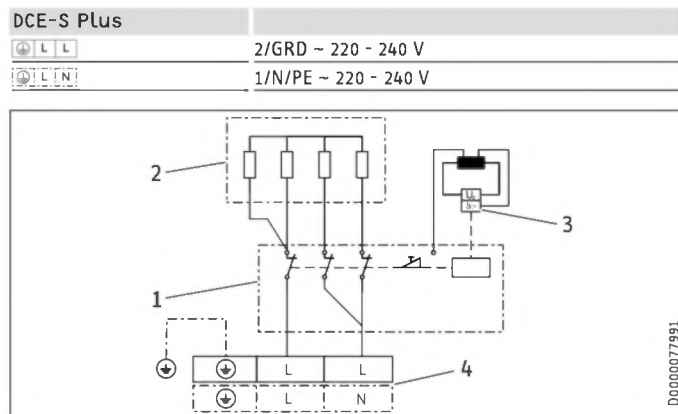
		DCE-S Plus
b02	Provodnica elektr. vodova I	Nadžbukna izvedba
c01	Ulazna hladna voda	Vanjski navoj G 1/2 A
c06	Izlazna topla voda	Vanjski navoj G 1/2 A

Alternativne mogućnosti priključka



		DCE-S Plus
b02	Provodnica elektr. vodova I	Nadžbukna izvedba
b03	Provodnica elektr. vodova II	Podžbukna izvedba
c01	Ulazna hladna voda	Vanjski navoj G 1/2 A
c06	Izlazna topla voda	Vanjski navoj G 1/2 A

16.2 Električna spojna shema



16.3 Učink toplote vode

Učink toplote vode ovisi o dovodu napona, priključnoj snazi uređaja i temperaturi ulazne hladne vode. Nazivni napon i nazivni učinak navedeni su na natpisnoj pločici.

Priključna snaga u kW		Učink toplote vode od 38 °C u L/min.				
Nazivni napon		Temperatura ulazne hladne vode				
220 V	230 V	240 V	5 °C	10 °C	15 °C	20 °C
DCE-S 6/8 Plus						
6,0			2,6	3,1	3,7	4,8
8,0			3,5	4,1	5,0	6,3
	6,6		2,9	3,4	4,1	5,2
	8,7		3,8	4,4	5,4	6,9
		7,2	3,1	3,7	4,5	5,7
		9,6	4,2	4,9	6,0	7,6
DCE-S 10/12 Plus						
10,0			4,3	5,1	6,2	7,9
12,0			5,2	6,1	7,5	9,5
	11,0		4,8	5,6	6,8	8,7
	13,1		5,7	6,7	8,1	10,4
		12,0	5,2	6,1	7,5	9,5
		14,3	6,2	7,3	8,9	11,3

16.7 Podatci o potrošnji energije

List s informacijama o proizvodu: Konvencionalni uređaji za pripremu tople vode prema Uredbi (EU) br. 812/2013 | 814/2013

	DCE-S 6/8 Plus	DCE-S 10/12 Plus
Proizvođač	238153	238154
Profil opterećenja	XS	XS
Razred energetske učinkovitosti	A	A
Energetski stupanj djelovanja	39	39
Godišnja potrošnja električne energije	472 kWh	474 kWh
Tvornička postavka temperature	60 °C	60 °C
Razina zvučne snage	15 dB(A)	15 dB(A)
Posebne napomene za mjerenje učinkovitosti	Izmjereno s ugrađenim DMB, maksimalnom snagom i maksimalnom zadanim vrijednosti	Izmjereno s ugrađenim DMB, maksimalnom snagom i maksimalnom zadanim vrijednosti
Dnevna potrošnja električne energije	2,161 kWh	2,174 kWh

Priključna snaga u kW		Učink toplote vode od 50 °C u L/min.				
Nazivni napon		Temperatura ulazne hladne vode				
220 V	230 V	240 V	5 °C	10 °C	15 °C	20 °C
DCE-S 6/8 Plus						
6,0			1,9	2,1	2,4	2,9
8,0			2,5	2,9	3,3	3,8
	6,6		2,1	2,4	2,7	3,1
	8,7		2,8	3,1	3,6	4,1
		7,2	2,3	2,6	2,9	3,4
		9,6	3,0	3,4	3,9	4,6
DCE-S 10/12 Plus						
10,0			3,2	3,6	4,1	4,8
12,0			3,8	4,3	4,9	5,7
	11,0		3,5	3,9	4,5	5,2
	13,1		4,2	4,7	5,3	6,2
		12,0	3,8	4,3	4,9	5,7
		14,3	4,5	5,1	5,8	6,8

16.4 Područja primjene / Tablica za preračunavanje

Za specifični električni otpor i specifičnu električnu provodljivost.

Normirani podatak na 15 °C		20 °C		25 °C				
Otpor $\rho \geq$	Provodljivost $\sigma \leq$	Otpor $\rho \geq$	Provodljivost $\sigma \leq$	Otpor $\rho \geq$	Provodljivost $\sigma \leq$			
Ωcm	mS/m	$\mu\text{S/cm}$	Ωcm	mS/m	$\mu\text{S/cm}$			
1100	91	910	970	103	1031	895	112	1117

16.5 Pad tlaka

Slavine

Pad tlaka slavina pri volumnom protoku od 10 L/min	
Jednoručna miješalica, pribl.	MPa 0,04 - 0,08
Termostatska slavina, pribl.	MPa 0,03 - 0,05
Glava tuša, pribl.	MPa 0,03 - 0,15

Dimenzioniranje cjevovodne mreže

Za izračun dimenzioniranja cjevovodne mreže za ovaj se uređaj preporučuje pad tlaka od 0,1 MPa.

16.6 Uvjeti u slučaju smetnje

U slučaju smetnje u instalaciji nakratko može doći do opterećenja od maksimalno 80 °C pri tlaku od 1,0 MPa.

INSTALACIJA

Tehnički podatci

16.8 Tablica s podacima

		DCE-S 6/8 Plus			DCE-S 10/12 Plus		
		238153			238154		
Električni podatci							
Nazivni napon	V	220	230	240	220	230	240
Nazivna snaga	kW	6,0/8,0	6,6/8,7	7,2/9,6	10,0/12,0	11,0/13,1	12,0/14,3
Nazivna struja	A	27,3/36,4	28,5/38,0	30,0/40,0	45,5/54,5	47,8/57,0	50,0/59,5
Osiguranje	A			30/40			50/60
Frekvencija	Hz			50/60			50/60
Faze				1/N/PE			1/N/PE
Specifični otpor $\rho_{15} \geq$	Ω cm			1100			1100
Specifična provodljivost $\sigma_{15} \leq$	μ S/cm			910			910
Maks. impedancija mreže pri 50 Hz	Ω	0,0385	0,0368	0,0353	0,0257	0,0245	0,0235
Priključci							
Priključak vode				G 1/2 A			G 1/2 A
Granice primjene							
Minimalni tlak opskrbe	MPa		0,18 (1,8 bar / 26 psi)		0,18 (1,8 bar / 26 psi)		
Maks. dopušteni tlak	MPa		1 (10 bar / 150 psi)		1 (10 bar / 150 psi)		
Maks. temperatura ulazne vode za dogrijavanje	$^{\circ}$ C			55			55
Područje namještanja temperature	$^{\circ}$ C			20-60			20-60
Vrijednosti							
Maks. temperatura ulazne vode (npr. toplinska dezinfekcija)	$^{\circ}$ C			70			70
Uklj	l/min			1,3			1,3
Volumni protok pri 28 K	l/min			3,1/4,1 @ 220 V			5,1/6,2 @ 220 V
Volumni protok pri 50 K	l/min			1,7/2,3 @ 220 V			2,9/3,5 @ 220 V
Gubitak tlaka za volumni protok pri 50 K (bez ograničivača protoka)	MPa			0,01/0,01			0,02/0,03
Ograničenje volumnog protoka pri	l/min			4			5
Hidraulični podatci							
Nazivni sadržaj	l			0,277			0,277
Izvedbe							
Vrsta montaže				Nadstolno/podstolno postavljanje			Nadstolno/podstolno postavljanje
Snaga priključivanja koja se može odabrati				X			X
Razred zaštite				1			1
Izolacijski blok				plastika			plastika
Proizvođač topline sustava grijanja				neizolirana žica			neizolirana žica
Poklopac i stražnja oplata				plastika			plastika
Boja				bijela			bijela
Vrsta zaštite (IP)				IP 25			IP 25
Dimenzije							
Visina	mm			372			372
Širina	mm			217			217
Dubina	mm			109			109
Težine							
Težina	kg			2,5			2,5



Napomena

Uređaj je usklađen s IEC 61000-3-12.

Jamstvo

Za uređaje koji su kupljeni izvan Njemačke ne vrijede jamstveni uvjeti naših njemačkih tvrtki. Osim toga, u zemljama u kojima neka od naših podružnica prodaje naše proizvode može se dobiti jamstvo od te naše podružnice. Takvo jamstvo daje se samo u slučaju ako je ta podružnica izdala vlastite jamstvene uvjete. Inače se ne daje jamstvo.

Za uređaje koji su kupljeni u zemljama u kojima nijedna od naših podružnica ne prodaje naše proizvode mi ne dajemo jamstvo.

Sva jamstva koje daju uvoznici nisu obuhvaćeni ovim pravilom.

Okoliš i recikliranje

Molimo pomozite da sačuvamo naš okoliš. Zbrinite materijale nakon korištenja sukladno nacionalnim propisima.

ΕΙΔΙΚΕΣ ΥΠΟΔΕΙΞΕΙΣ

ΧΕΙΡΙΣΜΟΣ

1. Γενικές υποδείξεις	68
1.1 Υποδείξεις ασφαλείας	68
1.2 Άλλες σημάνσεις σε αυτήν την τεκμηρίωση	68
1.3 Μονάδες διαστάσεων	68
2. Ασφάλεια	68
2.1 Ενδεδειγμένη χρήση	68
2.2 Γενικές υποδείξεις ασφαλείας	69
2.3 Σήμα ελέγχου	69
3. Περιγραφή συσκευής	69
3.1 Ρύθμιση προδιαγραφόμενης θερμοκρασίας	70
3.2 Συμβουλές ρύθμισης	70
4. Καθαρισμός, φροντίδα και συντήρηση	70
5. Αντιμετώπιση προβλημάτων	70

ΕΓΚΑΤΑΣΤΑΣΗ

6. Ασφάλεια	71
6.1 Γενικές υποδείξεις ασφαλείας	71
6.2 Λειτουργία ντους	71
6.3 Προδιαγραφές, πρότυπα και κανονισμοί	71
7. Περιγραφή συσκευής	71
7.1 Συσκευασία παράδοσης	71
7.2 Αξεσουάρ	71
8. Προετοιμασίες	71
8.1 Θέση συναρμολόγησης	71
8.2 Ελάχιστες αποστάσεις	72
8.3 Υδραυλική εγκατάσταση	72
9. Συναρμολόγηση	72
9.1 Στάνταρ εγκατάσταση, επίτοιχη	72
10. Θέση σε λειτουργία	74
10.1 Εσωτερική προστασία έναντι εγκαυμάτων μέσω θέσης σύνδεσης γέφυρας	74
10.2 Αλλαγή της ισχύος σύνδεσης μέσω θέσης σύνδεσης της γέφυρας	74
10.3 Πρώτη θέση σε λειτουργία	74
10.4 Νέα θέση σε λειτουργία	75
11. Θέση εκτός λειτουργίας	75
12. Εναλλακτικές επιλογές συναρμολόγησης	75
12.1 Ηλεκτρική σύνδεση εντοιχισμένη, επάνω	75
12.2 Ηλεκτρική σύνδεση εντοιχισμένη, κάτω	76
12.3 Ηλεκτρική σύνδεση με κοντό καλώδιο σύνδεσης ρεύματος	76
12.4 Ηλεκτρική σύνδεση επίτοιχη, πλευρικά	76
12.5 Υδραυλική εγκατάσταση εντοιχισμένη	76
12.6 Λειτουργία με προθερμασμένο νερό	78
13. Πληροφορίες σέρβις	78
14. Αντιμετώπιση βλαβών	79
15. Συντήρηση	80
15.1 Εκκένωση συσκευής	80
15.2 Καθαρίστε τη σήτα	80
16. Τεχνικά χαρακτηριστικά	81
16.1 Διαστάσεις και συνδέσεις	81
16.2 Ηλεκτρικό διάγραμμα	81
16.3 Απόδοση ζεστού νερού	81
16.4 Πεδία εφαρμογής / Πίνακας μετατροπής	82

16.5 Απώλειες πίεσης	82
16.6 Συνθήκες βλάβης	82
16.7 Στοιχεία για την κατανάλωση ενέργειας	82
16.8 Πίνακας χαρακτηριστικών	83

ΕΓΓΥΗΣΗ

ΠΕΡΙΒΑΛΛΟΝ ΚΑΙ ΑΝΑΚΥΚΛΩΣΗ

ΕΙΔΙΚΕΣ ΥΠΟΔΕΙΞΕΙΣ

- Ο χειρισμός της συσκευής μπορεί να γίνεται από παιδιά μεγαλύτερα των 3 ετών, καθώς και από άτομα με μειωμένες φυσικές, αισθητηριακές ή διανοητικές ικανότητες ή με έλλειψη εμπειρίας και γνώσεων, εφόσον επιτηρούνται ή έχουν λάβει οδηγίες σχετικά με την ασφαλή χρήση της συσκευής και έχουν κατανοήσει τους κινδύνους που προκύπτουν. Τα παιδιά δεν επιτρέπεται να παίζουν με τη συσκευή. Ο καθαρισμός και η συντήρηση από το χρήστη δεν επιτρέπεται να εκτελούνται από παιδιά χωρίς επιτήρηση.
- Κατά τη λειτουργία, η μπαταρία μπορεί να αναπτύξει θερμοκρασία έως 70 °C. Σε θερμοκρασίες απορροής πάνω από 43 °C υπάρχει κίνδυνος ζεματίσματος.
- Η συσκευή ενδείκνυται για την τροφοδοσία του ντους (λειτουργία ντους). Όταν η συσκευή χρησιμοποιείται επίσης ή αποκλειστικά για τη λειτουργία ντους, ο τεχνικός εγκαταστάτης πρέπει να ρυθμίσει την περιοχή θερμοκρασιακής ρύθμισης στους 55 °C ή χαμηλότερα, μέσω της εσωτερικής προστασίας έναντι εγκαυμάτων της συσκευής. Σε περίπτωση που χρησιμοποιείται προθερμασμένο νερό, πρέπει να διασφαλιστεί ότι η θερμοκρασία ροής εισόδου δεν υπερβαίνει τους 55 °C.
- Η συσκευή πρέπει να μπορεί να αποσυνδεθεί ολοπολικά από τη σύνδεση ηλεκτρικού δικτύου σε εύρος αποσύνδεσης τουλάχιστον 3 mm.
- Η αναφερόμενη τάση πρέπει να συμφωνεί με την τροφοδοσία τάσης.
- Η συσκευή πρέπει να συνδέεται στον προστατευτικό αγωγό.
- Η συσκευή πρέπει να συνδέεται μόνιμα σε σταθερή καλωδίωση.
- Στερεώνετε τη συσκευή, όπως περιγράφεται στο κεφάλαιο «Εγκατάσταση / Συναρμολόγηση».
- Τηρείτε τα όρια χρήσης (βλέπε κεφάλαιο «Εγκατάσταση / Τεχνικά χαρακτηριστικά / Πίνακας στοιχείων»).
- Δεν επιτρέπεται η υπέρβαση της ειδικής αντίστασης νερού του δικτύου υδροδότησης (βλέπε κεφάλαιο «Εγκατάσταση / Τεχνικά χαρακτηριστικά / Πίνακας στοιχείων»).
- Εκκενώνετε τη συσκευή όπως περιγράφεται στο κεφάλαιο «Εγκατάσταση / Συντήρηση / Εκκένωση συσκευής».

ΧΕΙΡΙΣΜΟΣ

1. Γενικές υποδείξεις

Το κεφάλαιο «Ειδικές υποδείξεις» και «Χειρισμός» απευθύνεται στον χρήστη της συσκευής και στον τεχνικό εγκαταστάτη.

Το κεφάλαιο «Εγκατάσταση» απευθύνεται στον τεχνικό εγκαταστάτη.



Υπόδειξη

Διαβάστε προσεκτικά αυτές τις οδηγίες πριν από τη χρήση και φυλάξτε τις. Να μεταβιβάζετε τις οδηγίες στους τυχόν μεταγενέστερους χρήστες.

1.1 Υποδείξεις ασφαλείας

1.1.1 Δομή των υποδείξεων ασφαλείας



ΠΡΟΕΙΔΟΠΟΙΗΤΙΚΗ ΛΕΞΗ Είδος του κινδύνου
Εδώ αναφέρονται οι πιθανές συνέπειες από την μη τήρηση της υπόδειξης ασφαλείας.
► Εδώ αναφέρονται μέτρα για την αποτροπή του κινδύνου.

1.1.2 Σύμβολα, είδος του κινδύνου

Σύμβολο	Είδος του κινδύνου
	Τραυματισμός
	Ηλεκτροπληξία
	Έγκαυμα (Έγκαυμα, ζεμάτισμα)

1.1.3 Προειδοποιητικές λέξεις

ΠΡΟΕΙΔΟΠΟΙΗΤΙΚΗ ΛΕΞΗ	Σημασία
ΚΙΝΔΥΝΟΣ	Υποδείξεις, οι οποίες αν δεν τηρηθούν προκαλούν σοβαρούς τραυματισμούς ή θάνατο.
ΠΡΟΕΙΔΟΠΟΙΗΣΗ	Υποδείξεις, οι οποίες αν δεν τηρηθούν μπορούν να προκαλέσουν σοβαρούς τραυματισμούς ή θάνατο.
ΠΡΟΣΟΧΗ	Υποδείξεις, οι οποίες αν δεν τηρηθούν μπορούν να προκαλέσουν μέτριους έως ελαφρείς τραυματισμούς.

1.2 Άλλες σημάνσεις σε αυτήν την τεκμηρίωση



Υπόδειξη

Οι γενικές οδηγίες σημειώνονται με το διπλανό σύμβολο.
► Διαβάστε προσεκτικά τα κείμενα των υποδείξεων.

Σύμβολο	Σημασία
	Υλικές ζημιές (Ζημιές συσκευής, επακόλουθες ζημιές και περιβαλλοντικές βλάβες)
	Απόρριψη συσκευής

► Αυτό το σύμβολο σας υποδεικνύει ότι πρέπει να κάνετε κάτι. Οι απαιτούμενες ενέργειες περιγράφονται βήμα προς βήμα.

1.3 Μονάδες διαστάσεων



Υπόδειξη

Εάν δεν αναφέρεται διαφορετικά, τότε όλες οι διαστάσεις δηλώνονται σε χιλιοστά.

2. Ασφάλεια

2.1 Ενδεδειγμένη χρήση

Η συσκευή προορίζεται για τη θέρμανση πόσιμου νερού ή για το ζέσταμα προθερμασμένου νερού. Η συσκευή μπορεί να τροφοδοτήσει ένα ή περισσότερα σημεία λήψης.

Εάν γίνει υπέρβαση της μέγιστης θερμοκρασίας ροής εισόδου για το ζέσταμα, τότε δεν πραγματοποιείται το ζέσταμα.

Η συσκευή προορίζεται για χρήση σε οικιακό περιβάλλον. Ο χειρισμός της είναι ασφαλής από μη εκπαιδευμένα άτομα. Η συσκευή μπορεί, επίσης, να χρησιμοποιηθεί εκτός οικιακού περιβάλλοντος, π.χ. σε μικρά μαγαζιά, εφόσον η χρήση της δεν μεταβληθεί.

Κάποια άλλη ή περαιτέρω χρήση δεν ισχύει ως ενδεδειγμένη. Στην ενδεδειγμένη χρήση ανήκει επίσης η τήρηση αυτών των οδηγιών, καθώς και των οδηγιών για τα χρησιμοποιούμενα αξεσουάρ.

2.2 Γενικές υποδείξεις ασφαλείας



ΠΡΟΣΟΧΗ Έγκαυμα

Κατά τη λειτουργία, η μπαταρία μπορεί να αναπτύξει θερμοκρασία έως 70 °C. Σε θερμοκρασίες απορροής πάνω από 43 °C υπάρχει κίνδυνος ζεματίσματος.



ΠΡΟΣΟΧΗ Έγκαυμα

Εάν η συσκευή χρησιμοποιείται από παιδιά ή από άτομα με περιορισμένες σωματικές, αισθητηριακές ή νοητικές ικανότητες, απαιτείται ένας συνεχής και μη τροποποιήσιμος περιορισμός θερμοκρασίας. Αναθέστε τη ρύθμιση της εσωτερικής προστασίας έναντι εγκαυμάτων σε τεχνικό εγκαταστάτη.



ΠΡΟΣΟΧΗ Έγκαυμα

Σε περίπτωση λειτουργίας με προθερμασμένο νερό, π.χ. κατά τη χρήση μιας ηλιακής εγκατάστασης, προσέξτε την παρακάτω υπόδειξη:
Η θερμοκρασία του ζεστού νερού μπορεί να υπερβεί τη ρυθμισμένη προδιαγραφόμενη θερμοκρασία ή έναν ρυθμισμένο περιορισμό θερμοκρασίας.
► Σε αυτήν την περίπτωση πρέπει να μειώνετε τη θερμοκρασία με θερμοστατική μπαταρία που να προηγείται στην εν σειρά σύνδεση.



ΠΡΟΕΙΔΟΠΟΙΗΣΗ Τραυματισμός

Ο χειρισμός της συσκευής μπορεί να γίνεται από παιδιά μεγαλύτερα των 3 ετών, καθώς και από άτομα με μειωμένες φυσικές, αισθητηριακές ή διανοητικές ικανότητες ή με έλλειψη εμπειρίας και γνώσεων, εφόσον επιτηρούνται ή έχουν λάβει οδηγίες σχετικά με την ασφαλή χρήση της συσκευής και έχουν κατανοήσει τους κινδύνους που προκύπτουν. Τα παιδιά δεν επιτρέπεται να παίζουν με τη συσκευή. Ο καθαρισμός και η συντήρηση από το χρήστη δεν επιτρέπεται να εκτελούνται από παιδιά χωρίς επιτήρηση.



Υλικές ζημιές

Ο χρήστης πρέπει να προφυλάσσει τη συσκευή και την μπαταρία από παγετό.



Υπόδειξη

Για να πληρούνται τα κριτήρια του είδους προστασίας IP 25, πρέπει να χρησιμοποιούνται εξάγωνες φρεζάτες βίδες για τη στερέωση της συσκευής στον τοίχο.

2.3 Σήμα ελέγχου

Βλέπε πινακίδα τύπου προϊόντος στη συσκευή.

3. Περιγραφή συσκευής

Μόλις ανοίξετε τη βαλβίδα ζεστού νερού στην μπαταρία, η συσκευή ενεργοποιείται αυτόματα. Όταν κλείνετε την μπαταρία, η συσκευή απενεργοποιείται ξανά αυτόματα.

Η συσκευή θερμαίνει το νερό όσο το νερό διέρχεται από τη συσκευή. Η προδιαγραφόμενη θερμοκρασία είναι ρυθμιζόμενη. Μετά από μια συγκεκριμένη ποσότητα διέλευσης το σύστημα ελέγχου ενεργοποιεί την απαιτούμενη θερμαντική απόδοση σε συνάρτηση με τη θερμοκρασιακή ρύθμιση και τη θερμοκρασία κρούου νερού.

Ο ηλεκτρονικά ρυθμιζόμενος κόμπακτ ταχυθερμαντήρας με αυτόματη προσαρμογή ισχύος διατηρεί τη θερμοκρασία ροής εξόδου σταθερή. Αυτό συμβαίνει ανεξάρτητα από τη θερμοκρασία ροής εισόδου έως τη μέγιστη ισχύ της συσκευής.

Εάν η συσκευή λειτουργεί με προθερμασμένο νερό και η θερμοκρασία ροής εισόδου υπερβεί τη ρυθμισμένη θερμοκρασία, το νερό δεν θερμαίνεται περαιτέρω.

Σύστημα θέρμανσης

Το σύστημα θέρμανσης γυμνού σύρματος βρίσκεται μέσα σε ένα ανθεκτικό στην πίεση πλαστικό περίβλημα. Το σύστημα θέρμανσης με σπείρα θέρμανσης από ανοξείδωτο χάλυβα ενδείκνυται για μαλακό και σκληρό νερό, ενώ είναι σε μεγάλο βαθμό ανεπηρέαστο από τον σχηματισμό αλάτων. Το σύστημα θέρμανσης φροντίζει για τη γρήγορη και αποτελεσματική τροφοδοσία ζεστού νερού.



Υπόδειξη

Η συσκευή εξοπλίζεται με ανίχνευση αέρα, η οποία εμποδίζει σε μεγάλο βαθμό τις ζημιές στο σύστημα θέρμανσης. Εάν στη διάρκεια της λειτουργίας εισαχθεί αέρας στη συσκευή, η συσκευή απενεργοποιεί τη θερμαντική απόδοση για ένα λεπτό προστατεύοντας έτσι το σύστημα θέρμανσης.

Μετά από διακοπή της υδροδότησης

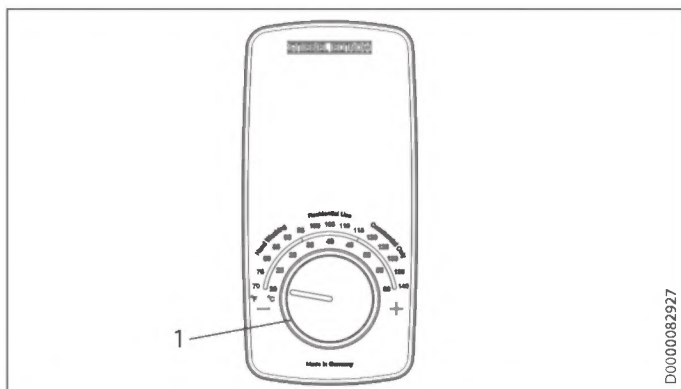


Υλικές ζημιές

Προκειμένου να μην καταστραφεί το σύστημα θέρμανσης γυμνού σύρματος μετά από διακοπή της υδροδότησης, πρέπει να τηρηθούν τα παρακάτω βήματα για να τεθεί εκ νέου σε λειτουργία η συσκευή.

- Διακόψτε την τάση προς τη συσκευή, κατεβάζοντας τις ασφάλειες.
- Εξαερώστε τη συσκευή και τον σωλήνα ροής εισόδου κρούου νερού (βλέπε κεφάλαιο «Εγκατάσταση / Θέση σε λειτουργία / Πρώτη θέση σε λειτουργία»).
- Ενεργοποιήστε ξανά την τροφοδοσία τάσης.

3.1 Ρύθμιση προδιαγραφόμενης θερμοκρασίας



1 Κουμπί ρύθμισης θερμοκρασίας για ονομαστική θερμοκρασιακή ρύθμιση

3.2 Συμβουλές ρύθμισης

Ο στιγμιαίος θερμοαντήρας ροής φροντίζει για τη μέγιστη ακρίβεια και τη μέγιστη άνεση παροχής ζεστού νερού. Ωστόσο, εάν λειτουργείτε τη συσκευή με θερμοστατική μπαταρία, σας συνιστούμε τα εξής:

- Ορίστε την προδιαγραφόμενη θερμοκρασία στη συσκευή πάνω από τους 50 °C. Στη συνέχεια, ορίστε την επιθυμητή προδιαγραφόμενη θερμοκρασία στην θερμοστατική μπαταρία.

Εξοικονόμηση ενέργειας

Στις ρυθμίσεις που προτείνουμε απαιτείται η λιγότερη δυνατή ενέργεια:

- 38 °C για νιπτήρα, ντους, μπανιέρα
- 55 °C για νεροχύτη κουζίνας

Περιορισμός θερμοκρασίας μέσω εσωτερικής προστασίας έναντι εγκαυμάτων (από τεχνικό εγκαταστάτη)

Εφόσον ζητηθεί, ο τεχνικός εγκαταστάτης μπορεί να ρυθμίσει έναν συνεχή περιορισμό της θερμοκρασίας, π.χ. σε νηπιαγωγεία, νοσοκομεία κ.λπ.

Κατά την τροφοδοσία ενός ντους, ο τεχνικός εγκαταστάτης πρέπει να περιορίσει την περιοχή θερμοκρασιακής ρύθμισης στη συσκευή στους 55 °C ή χαμηλότερα.

Ο περιορισμός αποτρέπει τη ροή νερού από τη συσκευή σε θερμοκρασίες που μπορούν να προκαλέσουν ζεμάτισμα.

Συμβουλές ρύθμισης στη λειτουργία με θερμοστατική μπαταρία και ηλιακό προθερμασμένο νερό

- Ρυθμίστε τη θερμοκρασία στη συσκευή στη μέγιστη θερμοκρασία.

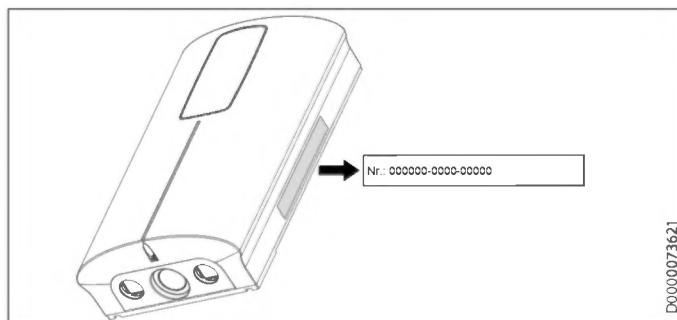
4. Καθαρισμός, φροντίδα και συντήρηση

- Μην χρησιμοποιείτε λειαντικά ή διαλυτικά καθαριστικά υλικά. Για τη φροντίδα και τον καθαρισμό της συσκευής αρκεί ένα υγρό πανί.
- Ελέγχετε τακτικά τις μπαταρίες. Μπορείτε να απομακρύνετε τα άλατα που σχηματίζονται στις εξόδους των μπαταριών με υλικά απασβέστωσης του εμπορίου.

5. Αντιμετώπιση προβλημάτων

Πρόβλημα	Αιτία	Αντιμετώπιση
Η συσκευή δεν ενεργοποιείται παρά την πλήρως ανοιγμένη βαλβίδα ζεστού νερού.	Δεν ασκείται τάση.	Ελέγξτε τις ασφάλειες στην οικιακή εγκατάσταση.
	Ο ρυθμιστής ψεκασμού στην μπαταρία ή η κεφαλή καταιονισμού έχουν επικαθίσεις αλάτων ή ρύπους.	Καθαρίστε και/ή απομακρύνετε τις επικαθίσεις αλάτων από τον ρυθμιστή ψεκασμού ή την κεφαλή καταιονισμού.
	Η υδροδότηση έχει διακοπεί.	Εξαερώστε τη συσκευή και τον σωλήνα παροχής κρύου νερού (βλέπε κεφάλαιο «Εγκατάσταση / Θέση σε λειτουργία / Πρώτη θέση σε λειτουργία»).
Ενώ είναι ανοιχτό το ζεστό νερό, εξέρχεται κρύο νερό για λίγο.	Η ανίχνευση αέρα αναγνωρίζει αέρα στο νερό. Απενεργοποιεί στιγμιαία τη θερμοαντική απόδοση.	Η συσκευή επαναλειτουργεί αυτόνομα μετά από 1 λεπτό.
Κατά τη λειτουργία ακούγονται θόρυβοι βρασμού.	Η συσκευή δεν είναι εξερωμένη.	Εξαερώστε τη συσκευή (βλέπε κεφάλαιο «Εγκατάσταση / Θέση σε λειτουργία / Πρώτη θέση σε λειτουργία»).
	Η πίεση τροφοδοσίας είναι πολύ χαμηλή.	Βεβαιωθείτε ότι έχει επιτευχθεί η ελάχιστη πίεση τροφοδοσίας (βλέπε κεφάλαιο «Εγκατάσταση / Τεχνικά χαρακτηριστικά / Πίνακας στοιχείων»).
Η επιθυμητή θερμοκρασία δεν μπορεί να ρυθμιστεί.	Η εσωτερική προστασία έναντι εγκαυμάτων είναι ενεργοποιημένη.	Η εσωτερική προστασία έναντι εγκαυμάτων μπορεί να τροποποιηθεί μόνο από τον τεχνικό εγκαταστάτη.

Εάν δεν μπορείτε να αντιμετωπίσετε την αιτία, καλέστε έναν τεχνικό εγκαταστάτη. Για την καλύτερη και ταχύτερη βοήθεια δηλώστε τον αριθμό από την πινακίδα τύπου προϊόντος (000000-0000-000000).



ΕΓΚΑΤΑΣΤΑΣΗ

6. Ασφάλεια

Η εγκατάσταση, η θέση σε λειτουργία, καθώς και η συντήρηση και η επισκευή της συσκευής επιτρέπεται να εκτελούνται μόνο από τεχνικό εγκαταστάτη.

6.1 Γενικές υποδείξεις ασφαλείας

Εγγυόμαστε την απροβλημάτιστη λειτουργία και ασφάλεια λειτουργίας μόνο όταν στη συσκευή χρησιμοποιείται συγκεκριμένος γνήσιος εξοπλισμός και γνήσια ανταλλακτικά.



Υλικές ζημιές

Τηρείτε τη μέγιστη θερμοκρασία ροής εισόδου. Με υψηλότερες θερμοκρασίες μπορεί να υποστεί ζημιές η συσκευή. Με την εγκατάσταση μιας κεντρικής θερμοστατικής μπαταρίας μπορείτε να περιορίσετε τη μέγιστη θερμοκρασία ροής εισόδου.



ΠΡΟΕΙΔΟΠΟΙΗΣΗ Ηλεκτροπληξία

Αυτή η συσκευή περιλαμβάνει πυκνωτές οι οποίοι αποφορτίζονται μετά την αποσύνδεσή τους από το δίκτυο ρεύματος. Η τάση αποφόρτισης του πυκνωτή ενδέχεται για μικρό διάστημα να είναι > 60 V DC.

6.2 Λειτουργία ντους



ΠΡΟΣΟΧΗ Έγκαυμα

► Κατά την τροφοδοσία ενός ντους, ρυθμίστε την εσωτερική προστασία έναντι εγκαυμάτων στους 55 °C ή χαμηλότερα, βλέπε κεφάλαιο «Θέση σε λειτουργία / Προεργασίες».



ΠΡΟΣΟΧΗ Έγκαυμα

Σε περίπτωση λειτουργίας με προθερμασμένο νερό, π.χ. κατά τη χρήση μιας ηλιακής εγκατάστασης, προσέξτε την παρακάτω υπόδειξη:

Η θερμοκρασία του ζεστού νερού μπορεί να υπερβαίνει τη ρυθμισμένη προδιαγραφόμενη θερμοκρασία ή έναν ρυθμισμένο περιορισμό θερμοκρασίας.
► Σε αυτήν την περίπτωση πρέπει να μειώνετε τη θερμοκρασία με θερμοστατική μπαταρία που να προηγείται στην εν σειρά σύνδεση.

6.3 Προδιαγραφές, πρότυπα και κανονισμοί



Υπόδειξη

Τηρείτε όλες τις εθνικές και τοπικές προδιαγραφές και τους κανονισμούς.

- Το είδος προστασίας IP 25 (προστασία από δέσμη νερού) διασφαλίζεται μόνο με κατάλληλα τοποθετημένα προστατευτικά περιβλήματα καλωδίων και με χρήση εξάγωνων φρεζάτων βιδών Ø 4,5 mm με μέγ. διάμετρο κεφαλής 9 mm.

- Η ειδική ηλεκτρική αντίσταση του νερού δεν επιτρέπεται να είναι μικρότερη από αυτή που δηλώνεται στην πινακίδα τύπου. Όταν υπάρχει διασυνδεδεμένο δίκτυο νερού, λαμβάνετε υπόψη τη χαμηλότερη ηλεκτρική αντίσταση του νερού. Μπορείτε να πληροφορηθείτε την ειδική ηλεκτρική αντίσταση ή την ηλεκτρική αγωγιμότητα του νερού από την αρμόδια επιχείρηση ύδρευσης.

7. Περιγραφή συσκευής

7.1 Συσκευασία παράδοσης

Μαζί με τη συσκευή παραδίδονται τα εξής:

- 2 διπλοί μαστοί 45°
- 2 πλακέ φλάντζες
- 2 δακτύλιοι O
- Προστατευτικό περίβλημα καλωδίου
- Σήτα
- Περιοριστής ποσότητας ολικής διερχόμενης ροής
- Γέφυρα για προστασία έναντι εγκαυμάτων, κουμπωτή
- Γέφυρα μεταγωγής ρεύματος, κουμπωτή

7.2 Αξεσουάρ

Σετ συναρμολόγησης υδραυλικής εγκατάστασης εντοιχισμένο (200016 - UP-Kit EU)

Το σετ συναρμολόγησης για την εντοιχισμένη υδραυλική εγκατάσταση περιλαμβάνει τα εξής:

- 2 ροδέλες για τη στεγανοποίηση των ανοιγμάτων στο πίσω τοίχωμα της συσκευής.
- Σήτα με στεγανοποιητικό άκρο για τοποθέτηση στον διπλό μαστό 45°.
- Πλακέ φλάντζα

8. Προετοιμασίες

8.1 Θέση συναρμολόγησης



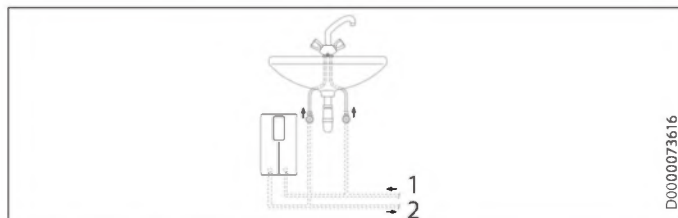
Υλικές ζημιές

Η εγκατάσταση της συσκευής επιτρέπεται να εκτελείται μόνο σε χώρους χωρίς παγετό.

- Συναρμολογήστε τη συσκευή κατακόρυφα και κοντά στο σημείο λήψης.

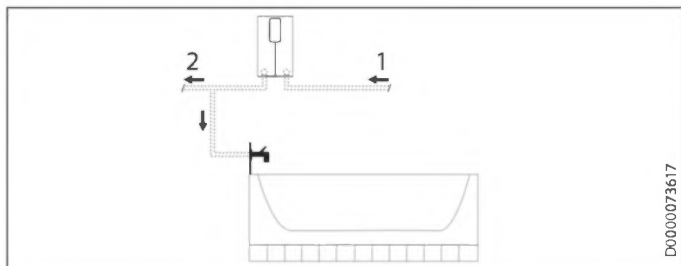
Η συσκευή ενδείκνυται για συναρμολόγηση κάτω και πάνω από τον πάγκο.

Συναρμολόγηση κάτω από πάγκο



- 1 Ροή εισόδου κρύου νερού
- 2 Απορροή ζεστού νερού

Συναρμολόγηση πάνω από πάγκο



D0000073617

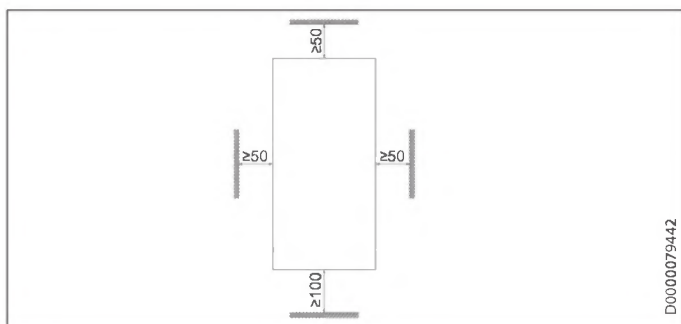
- 1 Ροή εισόδου κρύου νερού
- 2 Απορροή ζεστού νερού



Υπόδειξη

- ▶ Συναρμολογήστε τη συσκευή χωνευτά και ισοπίεδα στον τοίχο. Ο τοίχος πρέπει να διαθέτει επαρκή φέρουσα ικανότητα.

8.2 Ελάχιστες αποστάσεις



D0000079442

- ▶ Τηρείτε τις ελάχιστες αποστάσεις, προκειμένου να διασφαλίζεται η απρόσκοπτη λειτουργία της συσκευής και να μπορούν να εκτελούνται εργασίες συντήρησης στη συσκευή.

8.3 Υδραυλική εγκατάσταση



Υλικές ζημιές

Εκτελείτε όλες τις εργασίες σύνδεσης νερού και εγκατάστασης σύμφωνα με τις προδιαγραφές.

- ▶ Εκπλύνετε καλά τον σωλήνα νερού.

Μπαταρίες

Χρησιμοποιείτε κατάλληλες μπαταρίες πίεσης. Δεν επιτρέπεται ανοιχτές μπαταρίες.

Εγκεκριμένα υλικά των σωλήνων νερού

- Σωλήνας παροχής κρύου νερού:
Γαλβανισμένος χαλυβδοσωλήνας, σωλήνας από ανοξείδωτο χάλυβα, χαλκοσωλήνας ή πλαστικός σωλήνας
- Σωλήνας απορροής ζεστού νερού:
Σωλήνας από ανοξείδωτο χάλυβα, χαλκοσωλήνας ή πλαστικός σωλήνας



Υλικές ζημιές

Κατά την χρήση συστημάτων σωληνώσεων από πλαστικό, τηρείτε τη μέγιστη επιτρεπόμενη θερμοκρασία ροής εισόδου και τη μέγιστη επιτρεπόμενη πίεση.

Ογκομετρική ροή

- ▶ Βεβαιωθείτε ότι επιτυγχάνεται η ογκομετρική ροή για την ενεργοποίηση της συσκευής.
- ▶ Εάν δεν επιτυγχάνεται η απαιτούμενη ογκομετρική ροή όταν η βαλβίδα λήψης είναι εντελώς ανοικτή, αφαιρέστε τον περιοριστή ποσότητας ολικής διερχόμενης ροής από τη ροή εισόδου κρύου νερού.

Ενδεχομένως να μπορείτε επίσης να αυξήσετε την πίεση στην υδραυλική εγκατάσταση.

9. Συναρμολόγηση

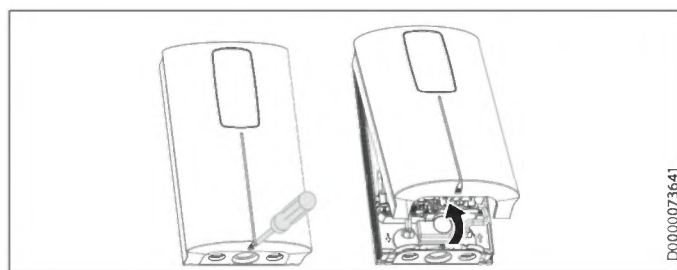
Εργοστασιακές ρυθμίσεις	DCE-S 6/8 Plus	DCE-S 10/12 Plus
Εσωτερική προστασία έναντι εγκαυμάτων σε °C	60	60
Ισχύς σύνδεσης σε kW	@ 220 V	8,0
	@ 230 V	8,7
	@ 240 V	9,6

Στάνταρ εγκατάσταση	DCE-S 6/8 Plus	DCE-S 10/12 Plus
Ηλεκτρική σύνδεση κάτω, επίτοιχη εγκατάσταση	x	x
Σύνδεση νερού επίτοιχης εγκατάστασης	x	x

Για πρόσθετες δυνατότητες εγκατάστασης, ανατρέξτε στο κεφάλαιο «Εναλλακτικές δυνατότητες συναρμολόγησης».

9.1 Στάνταρ εγκατάσταση, επίτοιχη

Άνοιγμα συσκευής



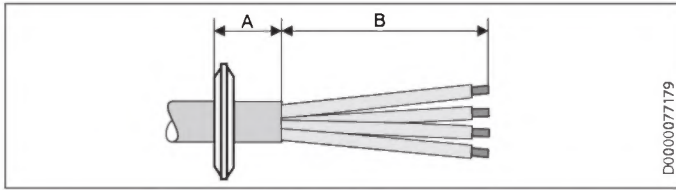
D0000073641

- ▶ Ανοίξτε τη συσκευή λύνοντας τις βίδες και ανασηκώνοντας το κάλυμμα.

ΕΓΚΑΤΑΣΤΑΣΗ

Συναρμολόγηση

Προετοιμασία καλωδίου σύνδεσης ρεύματος



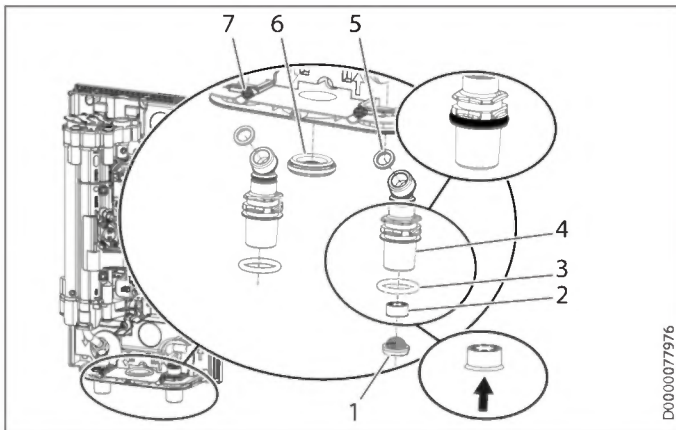
D000007179

- ▶ Προετοιμάστε το καλώδιο σύνδεσης ρεύματος.

Θέση επίτοιχης εγκατάστασης	Διάσταση A	Διάσταση B
κάτω, κέντρο	30	120
κάτω, αριστερή πλευρά συσκευής	20	90
κάτω, δεξιά πλευρά συσκευής	20	90
επάνω, δεξιά πλευρά συσκευής	20	80

Θέση εντοιχισμένης εγκατάστασης	Διάσταση A	Διάσταση B
κάτω	20	90
επάνω	20	80

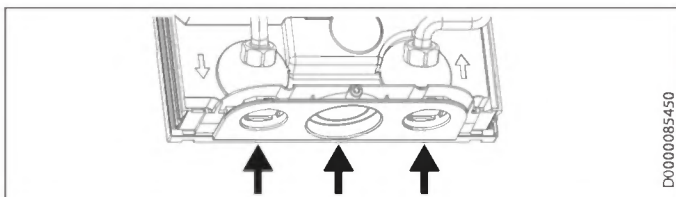
Προετοιμασίες



D000007976

- 1 Σήτα
- 2 Περιοριστής ποσότητας ολικής διερχόμενης ροής
- 3 Δακτύλιος O
- 4 Διπλός μαστός 45°
- 5 Πλακέ φλάντζες
- 6 Προστατευτικό περίβλημα καλωδίου
- 7 Βίδες ασφάλισης

- ▶ Λύστε τις βίδες ασφάλισης.



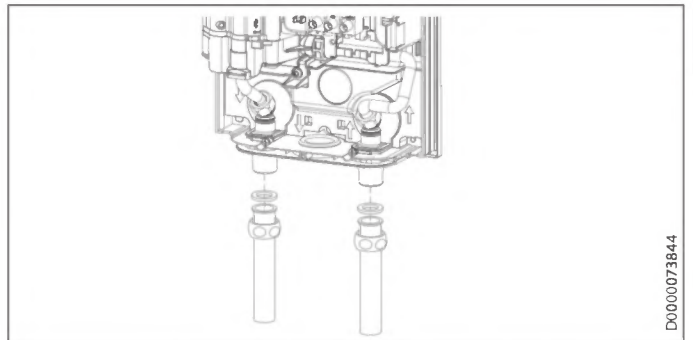
D0000085450

- ▶ Χτυπήστε / σπάστε κατά μήκος των σημαδιών τις απαιτούμενες διελεύσεις για το καλώδιο σύνδεσης ρεύματος και τους διπλούς μαστούς από το πίσω τοίχωμα της συσκευής. Για τον σκοπό αυτό, χρησιμοποιήστε το κατάλληλο πλακέ εργαλείο. Απογρεζώστε τις αιχμηρές ακμές με λίμα.
- ▶ Αφαιρέστε τα πώματα προστασίας μεταφοράς από τους σωλήνες σύνδεσης νερού.

- ▶ Ανοίξτε μια τρύπα στο προστατευτικό περίβλημα καλωδίου, σύμφωνα με τον επιλεγμένο αγωγό σύνδεσης. Συναρμολογήστε το προστατευτικό περίβλημα καλωδίου.
- ▶ Συναρμολογήστε τους δακτυλίους O στην εγκοπή του διπλού μαστού.
- ▶ Βάλτε τους διπλούς μαστούς στα ανοίγματα του πίσω τοιχώματος της συσκευής και συναρμολογήστε τους με πλακέ φλάντζες στους σωλήνες σύνδεσης της συσκευής (ροπή σύσφιξης 8 Nm).
- ▶ Ασφαλίστε τους διπλούς μαστούς με τις βίδες ασφάλισης.
- ▶ Συναρμολογήστε τον περιοριστή ποσότητας ολικής διερχόμενης ροής και τη σήτα στον διπλό μαστό της σύνδεσης κρύου νερού. Προσέξτε την ευθυγράμμιση του περιοριστή ποσότητας ολικής διερχόμενης ροής.

Συναρμολόγηση συσκευής

- ▶ Χτυπήστε / σπάστε τις κάτω επιμήκεις οπές (απόσταση 175 mm) για τη στερέωση της συσκευής (για τις θέσεις βλέπε κεφάλαιο «Τεχνικά δεδομένα / Διαστάσεις και συνδέσεις») από το πίσω τοίχωμα της συσκευής. Οι δύο επάνω οπές στερέωσης είναι ήδη ανοιχτές.
- ▶ Σημειώστε τα 4 σημεία διάτρησης με τη βοήθεια του πίσω τοιχώματος της συσκευής.
- ▶ Διατρύπηστε τις οπές και στερεώστε τη συσκευή με κατάλληλα υλικά στερέωσης (οι βίδες και τα ούπατ δεν συμπεριλαμβάνονται στη συσκευασία παράδοσης): Εξάγωνη φρεζάτη βίδα Ø 4,5 mm με μέγ. διάμετρο κεφαλής 9 mm.



D0000073844

- ▶ Συναρμολογήστε κατάλληλη μπαταρία πίεσης.
- ▶ Βιδώστε τους σωλήνες σύνδεσης νερού της μπαταρίας (δεν συμπεριλαμβάνονται στη συσκευασία παράδοσης) με τις πλακέ φλάντζες στους διπλούς μαστούς.
- ▶ Ανοίξτε τη βαλβίδα φραγής στον σωλήνα παροχής κρύου νερού.

Δημιουργία ηλεκτρικής σύνδεσης

ΠΡΟΕΙΔΟΠΟΙΗΣΗ Ηλεκτροπληξία
Εκτελείτε όλες τις ηλεκτρικές εργασίες σύνδεσης και εγκατάστασης σύμφωνα με τις προδιαγραφές.

ΠΡΟΕΙΔΟΠΟΙΗΣΗ Ηλεκτροπληξία
Η σύνδεση στο δίκτυο ρεύματος επιτρέπεται μόνο ως σταθερή σύνδεση σε συνδυασμό με την αφαιρούμενη διέλευση καλωδίων. Η συσκευή πρέπει να μπορεί να αποσυνδεθεί ολοπολικά από τη σύνδεση ηλεκτρικού δικτύου σε εύρος αποσύνδεσης τουλάχιστον 3 mm.

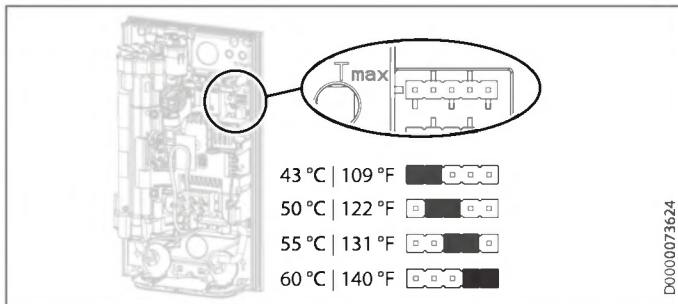
ΠΡΟΕΙΔΟΠΟΙΗΣΗ Ηλεκτροπληξία
Προσέξτε η συσκευή να είναι συνδεδεμένη στον αγωγό γείωσης.

Υλικές ζημιές
Προσέξτε την πινακίδα τύπου. Η αναφερόμενη ονομαστική τάση πρέπει να συμφωνεί με την τροφοδοσία τάσης.

- ▶ Σπρώξτε το καλώδιο σύνδεσης ρεύματος μέσω του προστατευτικού περιβλήματος καλωδίου.
- ▶ Συνδέστε το καλώδιο σύνδεσης ρεύματος στον ακροδέκτη σύνδεσης δικτύου ρεύματος (βλέπε κεφάλαιο «Εγκατάσταση / Τεχνικά χαρακτηριστικά/ Ηλεκτρικό διάγραμμα»).

10. Θέση σε λειτουργία

10.1 Εσωτερική προστασία έναντι εγκαυμάτων μέσω θέσης σύνδεσης γέφυρας



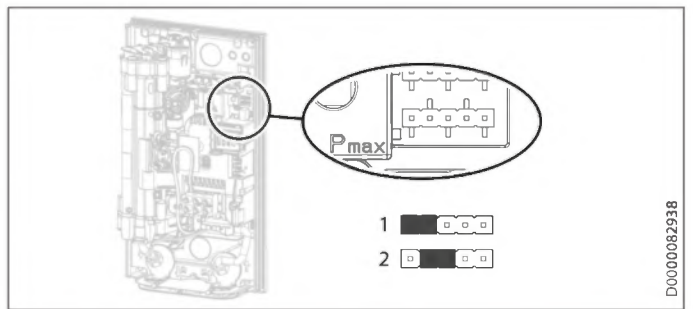
- ▶ Τοποθετήστε την γέφυρα στην επιθυμητή θέση της πινοσειράς «Tmax».

Θέση γέφυρας	Περιγραφή
43 °C 109 °F	π. χ. σε νηπιαγωγεία, νοσοκομεία, κ.λπ.
50 °C 122 °F	
55 °C 131 °F	μέγ. για λειτουργία ντους
60 °C 140 °F	Εργοστασιακή ρύθμιση
χωρίς γέφυρα	Περιορισμός 43 °C 109 °F

ΠΡΟΣΟΧΗ Έγκαυμα
Σε περίπτωση λειτουργίας με προθερμασμένο νερό, π.χ. κατά τη χρήση μιας ηλιακής εγκατάστασης, είναι πιθανή η υπέρβαση της εσωτερικής προστασίας έναντι εγκαυμάτων.
▶ Σε αυτήν την περίπτωση πρέπει να μειώνετε τη θερμοκρασία με θερμοστατική μπαταρία που να προηγείται στην εν σειρά σύνδεση.

10.2 Αλλαγή της ισχύος σύνδεσης μέσω θέσης σύνδεσης της γέφυρας

Εάν επιθυμείτε στη συσκευή μια ισχύ σύνδεσης διαφορετική από την εργοστασιακή ρύθμιση, πρέπει να αλλάξετε τη θέση της γέφυρας.

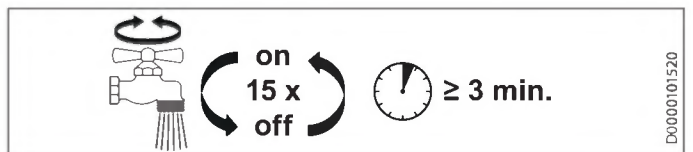


- ▶ Τοποθετήστε τη γέφυρα στην επιθυμητή θέση της πινοσειράς «Pmax».

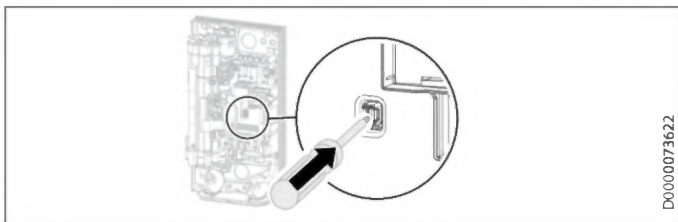
Θέση γέφυρας	Ισχύς σύνδεσης	DCE-S 6/8 Plus		DCE-S 10/12 Plus	
		@ 220 V	@ 230 V	@ 220 V	@ 230 V
1 [low]	@ 220 V	6,0 kW	10,0 kW		
	@ 230 V	6,6 kW	11,0 kW		
	@ 240 V	7,2 kW	12,0 kW		
2 [high]	@ 220 V	8,0 kW	12,0 kW		
	Εργοστασιακή ρύθμιση @ 230 V	8,7 kW	13,1 kW		
χωρίς γέφυρα [low]	@ 220 V	6,0 kW	10,0 kW		
	@ 230 V	6,6 kW	11,0 kW		
	@ 240 V	7,2 kW	12,0 kW		

10.3 Πρώτη θέση σε λειτουργία

- ▶ Σημειώστε την επιλεγμένη ισχύ σύνδεσης επάνω στην πινακίδα τύπου. Για τον σκοπό αυτό, χρησιμοποιήστε ένα στυλό.

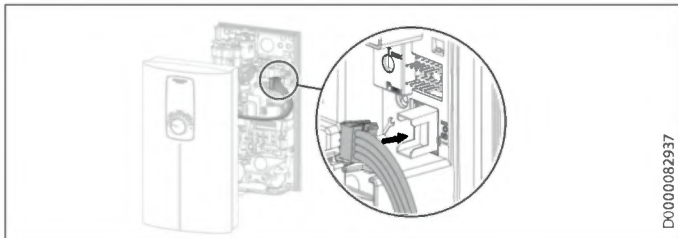


- ▶ Ανοίξτε και κλείστε 15 φορές εντός τουλάχιστον 3 λεπτών όλες τις συνδεδεμένες βαλβίδες λήψης, ώσπου να διαφύγει ο αέρας από το δίκτυο σωλήνων και τη συσκευή. Εξαερώστε τον σωλήνα ροής εισόδου κρύου νερού και τη συσκευή με διέλευση τουλάχιστον 3,5 l/min.
- ▶ Διεξάγετε έλεγχο στεγανότητας.



D0000073622

- ▶ Ενεργοποιήστε τον διακόπτη ασφαλείας, πατώντας σταθερά το πλήκτρο επαναφοράς (η συσκευή παραδίδεται με τον διακόπτη ασφαλείας απενεργοποιημένο).



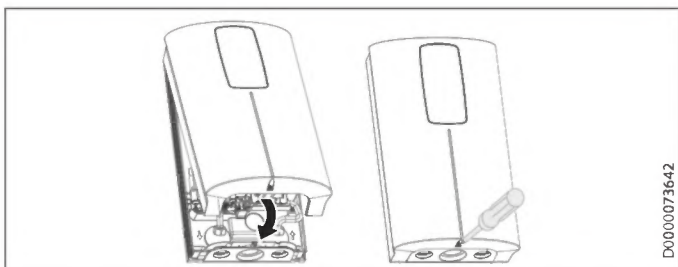
D0000082937

- ▶ Εισαγάγετε το φισ του καλωδίου σύνδεσης της μονάδας χειρισμού στο ηλεκτρονικό σύστημα.



Υπόδειξη

Συνδέστε οπωσδήποτε το καλώδιο σύνδεσης της μονάδας χειρισμού στο ηλεκτρονικό σύστημα, πριν να ενεργοποιήσετε την τάση. Διαφορετικά, η μονάδα χειρισμού είναι εκτός λειτουργίας.



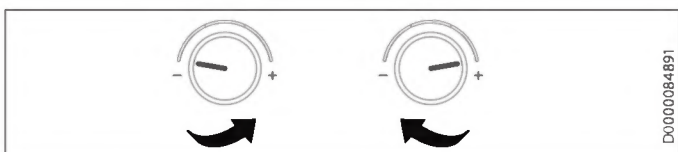
D0000073642

- ▶ Αναρτήστε το κάλυμμα της συσκευής από την επάνω πλευρά πίσω από το πίσω τοίχωμα της συσκευής. Σπρώξτε το κάλυμμα της συσκευής προς τα κάτω. Ελέγξτε τη σταθερή έδραση του καλύμματος της συσκευής επάνω και κάτω.
- ▶ Στερεώστε το κάλυμμα της συσκευής με τη βίδα.
- ▶ Αφαιρέστε την προστατευτική μεμβράνη από το πεδίο χειρισμού.



D0000053281

- ▶ Ενεργοποιήστε την τροφοδοσία τάσης.
- ▶ Βεβαιωθείτε ότι η μονάδα χειρισμού λειτουργεί σωστά.



D0000084891

- ▶ Περιστρέψτε το κομβίο ρύθμισης της θερμοκρασίας προς το αριστερό και δεξιό τέρμα.

10.3.1 Μεταβίβαση της συσκευής

- ▶ Εξηγήστε στον χρήστη τη λειτουργία της συσκευής και βοηθήστε τον να εξοικειωθεί με τη χρήση της συσκευής.
- ▶ Υποδείξτε στον χρήστη τους πιθανούς κινδύνους, ειδικά τον κίνδυνο εγκαύματος.
- ▶ Παραδώστε το εγχειρίδιο.

10.4 Νέα θέση σε λειτουργία



Υλικές ζημιές

Προκειμένου να μην καταστραφεί το σύστημα θέρμανσης γυμνού σύρματος μετά από διακοπή της υδροδότησης, πρέπει να τηρηθούν τα παρακάτω βήματα για να τεθεί εκ νέου σε λειτουργία η συσκευή.

- ▶ Διακόψτε την τάση προς τη συσκευή, κατεβάζοντας τις ασφάλειες.
- ▶ Εξαερώστε τη συσκευή και τον σωλήνα ροής εισόδου κρύου νερού (βλέπε κεφάλαιο «Θέση σε λειτουργία / Πρώτη θέση σε λειτουργία»).
- ▶ Ενεργοποιήστε ξανά την τροφοδοσία τάσης.

11. Θέση εκτός λειτουργίας

- ▶ Αποσυνδέστε ολοπολικά τη συσκευή από τη σύνδεση ηλεκτρικού δικτύου.
- ▶ Εκκενώνετε τη συσκευή (βλέπε κεφάλαιο «Συντήρηση / Εκκένωση συσκευής»).

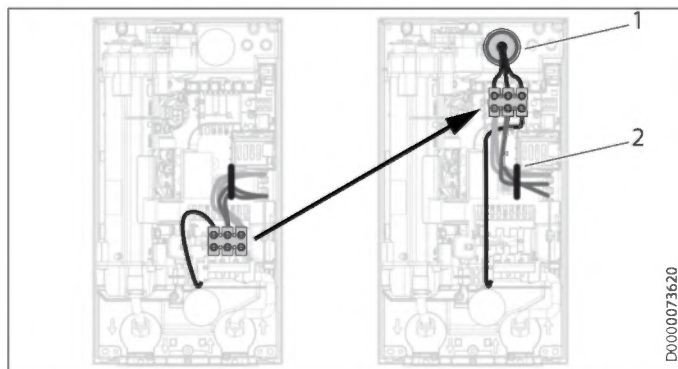
12. Εναλλακτικές επιλογές συναρμολόγησης



ΠΡΟΕΙΔΟΠΟΙΗΣΗ Ηλεκτροπληξία

Αποσυνδέετε ολοπολικά τη συσκευή από τη σύνδεση ηλεκτρικού δικτύου σε όλες τις εργασίες.

12.1 Ηλεκτρική σύνδεση εντοιχισμένη, επάνω



D0000073620

- 1 Προστατευτικό περίβλημα καλωδίου
- 2 Κανάλι καλωδίων

- ▶ Βγάλτε την απαιτούμενη διέλευση για το καλώδιο σύνδεσης ρεύματος από το πίσω τοίχωμα της συσκευής (για τις θέσεις, βλέπε κεφάλαια «Τεχνικά χαρακτηριστικά / Διαστάσεις και συνδέσεις»). Απογρεζώστε τις αιχμηρές ακμές με λίμα.

Εναλλακτικές επιλογές συναρμολόγησης

- ▶ Ανοίξτε μια τρύπα στο προστατευτικό περίβλημα καλωδίου, σύμφωνα με τον επιλεγμένο αγωγό σύνδεσης. Συναρμολογήστε το προστατευτικό περίβλημα καλωδίου.
- ▶ Μετατοπίστε από κάτω προς τα επάνω τον ακροδέκτη σύνδεσης δικτύου ρεύματος. Ασφαλίστε τον ακροδέκτη σύνδεσης δικτύου ρεύματος, σπρώχνοντας με δύναμη τον ακροδέκτη σύνδεσης δικτύου ρεύματος προς τα αριστερά και τραβώντας προς τα εμπρός. Περιστρέψτε τον ακροδέκτη σύνδεσης δικτύου ρεύματος με τα καλώδια σύνδεσης κατά 180° προς τα δεξιά. Περάστε την εσωτερική καλωδίωση κάτω από το κανάλι καλωδίων. Ασφαλίστε τον ακροδέκτη σύνδεσης δικτύου ρεύματος, πιέζοντας και σπρώχνοντας τον ακροδέκτη σύνδεσης δικτύου ρεύματος προς τα αριστερά, ώσπου να ασφαλίσει.
- ▶ Συναρμολογήστε τη συσκευή και συνδέστε το καλώδιο σύνδεσης ρεύματος στον ακροδέκτη σύνδεσης δικτύου ρεύματος, όπως περιγράφεται στο κεφάλαιο «Συναρμολόγηση / Στάνταρ επίτοιχη συναρμολόγηση».

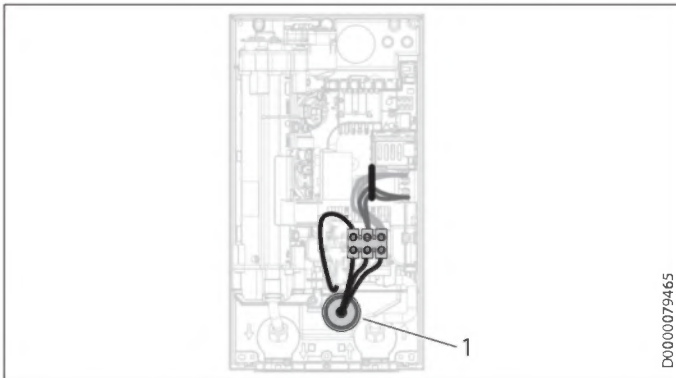


Υπόδειξη

Αποσυναρμολόγηση κλέμας σύνδεσης δικτύου ρεύματος επάνω:

- ▶ Ασφαλίστε με ένα κατσαβίδι το άγκιστρο ασφάλισης από τη δεξιά πλευρά.

12.2 Ηλεκτρική σύνδεση εντοιχισμένη, κάτω

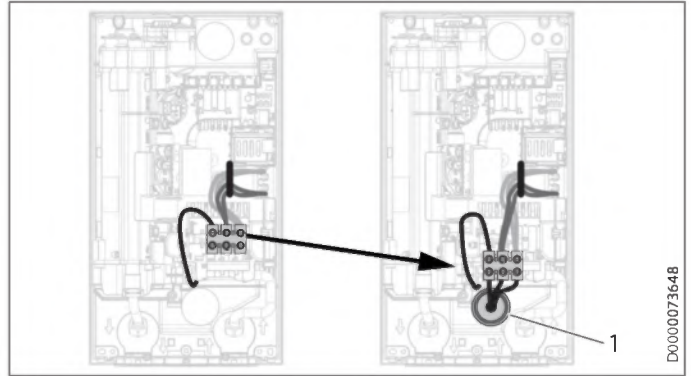


1 Προστατευτικό περίβλημα καλωδίου

- ▶ Βγάλτε την απαιτούμενη διέλευση για το καλώδιο σύνδεσης ρεύματος από το πίσω τοίχωμα της συσκευής (για τις θέσεις, βλέπε κεφάλαια «Τεχνικά χαρακτηριστικά / Διαστάσεις και συνδέσεις»). Απογρεζώστε τις αιχμηρές ακμές με λίμα.
- ▶ Ανοίξτε μια τρύπα στο προστατευτικό περίβλημα καλωδίου, σύμφωνα με τον επιλεγμένο αγωγό σύνδεσης. Συναρμολογήστε το προστατευτικό περίβλημα καλωδίου.
- ▶ Συναρμολογήστε τη συσκευή και συνδέστε το καλώδιο σύνδεσης ρεύματος στον ακροδέκτη σύνδεσης δικτύου ρεύματος, όπως περιγράφεται στο κεφάλαιο «Συναρμολόγηση / Στάνταρ επίτοιχη συναρμολόγηση».

12.3 Ηλεκτρική σύνδεση με κοντό καλώδιο σύνδεσης ρεύματος

Εάν το καλώδιο σύνδεσης ρεύματος είναι πολύ κοντό, μπορείτε να συναρμολογήσετε τον ακροδέκτη σύνδεσης δικτύου ρεύματος της συσκευής πιο κοντά στο άνοιγμα διέλευσης.



1 Προστατευτικό περίβλημα καλωδίου

- ▶ Μετατοπίστε από επάνω προς τα κάτω τον ακροδέκτη σύνδεσης δικτύου ρεύματος. Ασφαλίστε τον ακροδέκτη σύνδεσης δικτύου ρεύματος, σπρώχνοντας με δύναμη τον ακροδέκτη σύνδεσης δικτύου ρεύματος προς τα αριστερά και τραβώντας προς τα εμπρός. Ασφαλίστε τον ακροδέκτη σύνδεσης δικτύου ρεύματος κάτω, πιέζοντας και σπρώχνοντας τον ακροδέκτη σύνδεσης δικτύου ρεύματος προς τα αριστερά, ώσπου να ασφαλίσει.

12.4 Ηλεκτρική σύνδεση επίτοιχη, πλευρικά

- ▶ Πριονίστε και σπάστε την απαιτούμενη διέλευση για το καλώδιο σύνδεσης ρεύματος από το πίσω τοίχωμα και το κάλυμμα της συσκευής (για τις θέσεις, βλέπε κεφάλαια «Τεχνικά χαρακτηριστικά / Διαστάσεις και συνδέσεις»). Απογρεζώστε τις αιχμηρές ακμές με λίμα.
- ▶ Συναρμολογήστε τη συσκευή και συνδέστε το καλώδιο σύνδεσης ρεύματος στον ακροδέκτη σύνδεσης δικτύου ρεύματος, όπως περιγράφεται στο κεφάλαιο «Συναρμολόγηση / Στάνταρ επίτοιχη συναρμολόγηση».

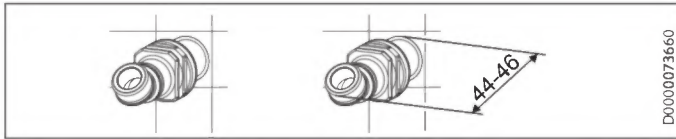
12.5 Υδραυλική εγκατάσταση εντοιχισμένη

Για την εγκατάσταση χρειάζεστε τα αντίστοιχα εξαρτήματα. Το σετ συναρμολόγησης «Υδραυλική εγκατάσταση εντοιχισμένη» περιλαμβάνει:

- 2 ροδέλες για τη στεγανοποίηση των ανοιγμάτων στο πίσω τοίχωμα της συσκευής.
- Σήτα με στεγανοποιητικό άκρο για τοποθέτηση στον διπλό μαστό 45°.
- Πλακέ φλάντζα

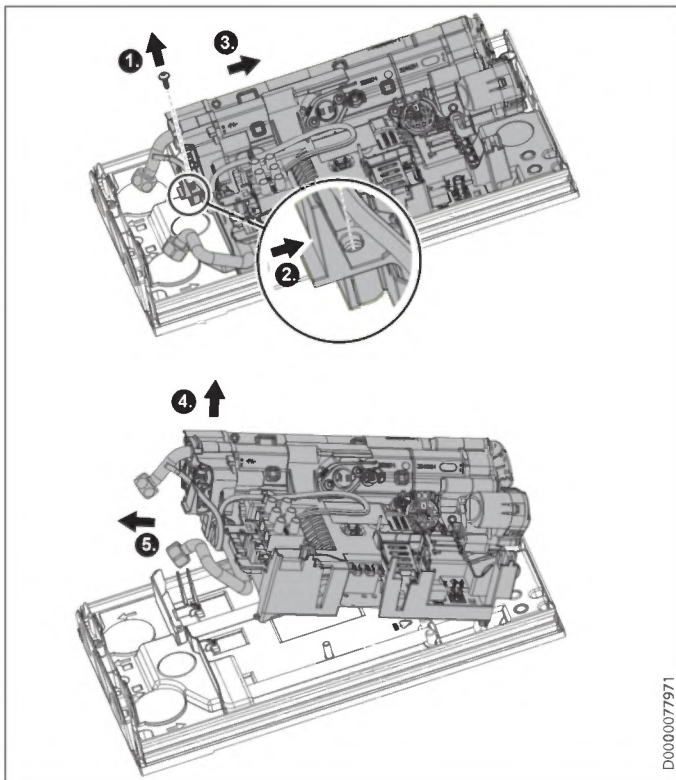
Επιπλέον, χρειάζεστε τον περιοριστή ποσότητας ολικής διερχόμενης ροής από τη συσκευασία παράδοσης της συσκευής.

Προετοιμασίες

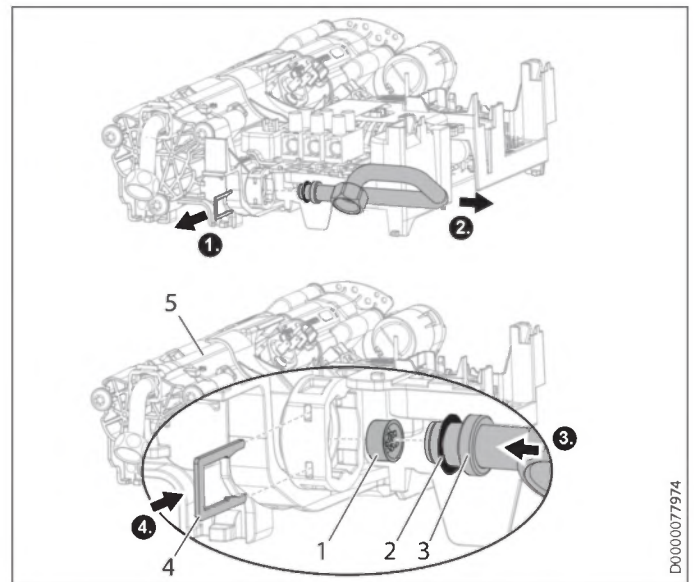


► Στεγανοποιήστε και βιδώστε τους διπλούς μαστούς 45°.

Για το πέρασμα των διελεύσεων στο πίσω τοίχωμα της συσκευής, πρέπει να αποσυναρμολογήσετε το λειτουργικό υποσύστημα από το πίσω τοίχωμα της συσκευής.



- Ξεβιδώστε τις βίδες και απασφαλίστε το άγκιστρο ασφαλείας.
- Σπρώξτε το λειτουργικό υποσύστημα στο πίσω τοίχωμα της συσκευής ελαφρώς προς τα πίσω.
- Σηκώστε το λειτουργικό υποσύστημα από το πίσω τοίχωμα της συσκευής, τραβώντας το ελαφρώς προς τα εμπρός και αφαιρώντας το.
- Χτυπήστε / σπάστε από πίσω τις απαιτούμενες διελεύσεις για τις συνδέσεις νερού από το πίσω τοίχωμα της συσκευής (για τις θέσεις, βλέπε κεφάλαια «Τεχνικά χαρακτηριστικά / Διαστάσεις και συνδέσεις»). Απογρεζώστε τις αιχμηρές ακμές με λίμα.



- 1 Περιοριστής ποσότητας ολικής διερχόμενης ροής
- 2 Δακτύλιος O
- 3 Τόξο σωλήνα κρύου νερού με σκαλοπάτι για κλιπ ασφαλείας
- 4 Κλιπ ασφαλείας
- 5 Θέρμανση

- Αποσυναρμολογήστε το τόξο σωλήνα κρύου νερού και τον δακτύλιο O.
- Συναρμολογήστε τον περιοριστή ποσότητας ολικής διερχόμενης ροής (από τη συσκευασία παράδοσης της συσκευής) στη ροή εισόδου κρύου νερού της θέρμανσης. Προσέξτε τον προσανατολισμό.
- Συναρμολογήστε το τόξο σωλήνα κρύου νερού μαζί με τον δακτύλιο O.



Υλικές ζημιές

- Για τη στεγανότητα της συσκευής πρέπει να είναι τοποθετημένος ο δακτύλιος O.
- Ελέγξτε κατά την εγκατάσταση, εάν είναι διαθέσιμος ο δακτύλιος O.

- Ασφαλίστε το τόξο σωλήνα κρύου νερού με το κλιπ ασφαλείας.

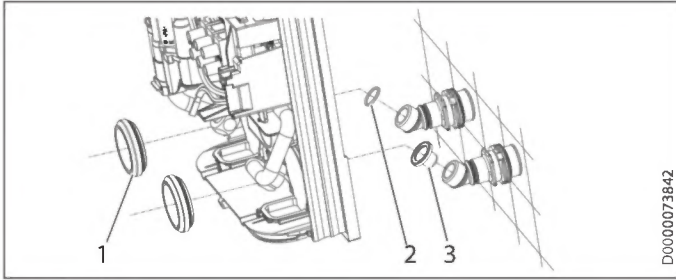


Υλικές ζημιές

Βεβαιωθείτε ότι το κλιπ ασφαλείας βρίσκεται πίσω από το σκαλοπάτι του τόξου σωλήνα και ότι το τόξο σωλήνα είναι σταθεροποιημένο στη θέση του.

- Συναρμολογήστε το λειτουργικό υποσύστημα στο πίσω τοίχωμα της συσκευής με αντίστροφη σειρά, ώσπου να ασφαλίσει στη θέση του.
- Στερεώστε το λειτουργικό υποσύστημα με τη βίδα.

Συναρμολόγηση συσκευής



1 Ροδέλες

2 Πλακέ φλάντζα

3 Σήτα με στεγανοποιητικό άκρο

- ▶ Σημειώστε τα 2 σημεία διάτρησης στο επάνω μέρος του πίσω τοιχώματος της συσκευής με τη βοήθεια του πίσω τοιχώματος της συσκευής.
- ▶ Συναρμολογήστε τις ροδέλες στο πίσω τοίχωμα της συσκευής από την μπροστινή πλευρά.
- ▶ Διατρυπήστε τις οπές και στερεώστε τη συσκευή με κατάλληλα υλικά στερέωσης (οι βίδες και τα ούπατ δεν συμπεριλαμβάνονται στη συσκευασία παράδοσης): Εξάγωνη φρεζάτη βίδα \varnothing 4,5 mm με μέγ. διάμετρο κεφαλής 9 mm.

 Υπόδειξη

- ▶ Συναρμολογήστε τη συσκευή χωνευτά και ισοπέδα στον τοίχο. Στερεώστε ενδεχομένως επιπρόσθετα τη συσκευή στα 2 κάτω σημεία στερέωσης. Για τον σκοπό αυτό χτυπήστε / σπάστε τις κάτω επιμήκεις οπές (απόσταση 175 mm) από το πίσω τοίχωμα της συσκευής (για τις θέσεις, βλέπε κεφάλαια «Τεχνικά δεδομένα / Διαστάσεις και συνδέσεις»).

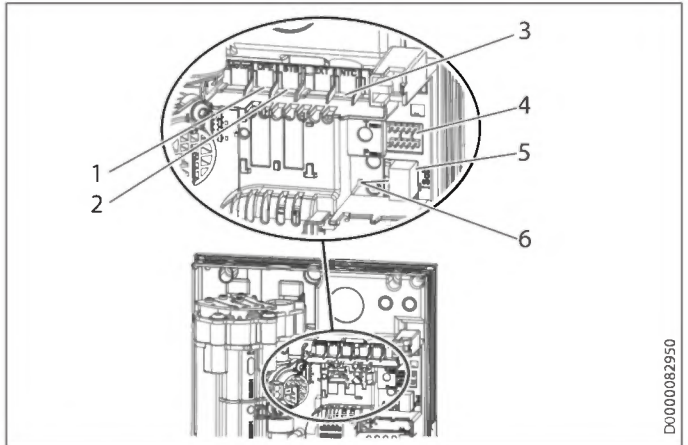
- ▶ Αφαιρέστε τα πώματα προστασίας μεταφοράς από τους σωλήνες σύνδεσης νερού.
- ▶ Βιδώστε στους διπλούς μαστούς τον σωλήνα σύνδεσης ζεστού νερού με μία πλακέ φλάντζα και τον σωλήνα παροχής κρύου νερού με τη σήτα με στεγανοποιητικό άκρο (από τα εξαρτήματα).

12.6 Λειτουργία με προθερμασμένο νερό

Με την εγκατάσταση μιας κεντρικής θερμοστατικής μπαταρίας περιορίζεται η μέγιστη θερμοκρασία ροής εισόδου.

13. Πληροφορίες σέρβις

Επισκόπηση συνδέσεων / Επισκόπηση εξαρτημάτων



1 Καταγραφή ολικής ροής

2 Περιοριστής θερμοκρασίας ασφαλείας, αυτόματης επαναφοράς

3 Αισθητήρας NTC

4 Πινοσειρές για την ισχύ σύνδεσης και την προστασία έναντι εγκαυμάτων

5 Θέση κουμπώματος της μονάδας χειρισμού

6 Διαγνωστική σηματοδότηση

14. Αντιμετώπιση βλαβών



ΠΡΟΕΙΔΟΠΟΙΗΣΗ Ηλεκτροπληξία
Για να μπορείτε να ελέγξετε τη συσκευή, πρέπει να ασκείται τροφοδοσία τάσης στη συσκευή.



Υπόδειξη
Ο έλεγχος της συσκευής με τη διαγνωστική σηματοδότηση πρέπει να πραγματοποιείται με τρεχούμενο νερό.

Δυνατότητες ενδείξεων του διαγνωστικού σηματοδότη (LED)	
●○○	κόκκινο ανάβει σε περίπτωση βλάβης
○●○	κίτρινο ανάβει στη λειτουργία θέρμανσης / αναβοσβήνει όταν προσεγγίζεται το όριο ισχύος
○○●	πράσινο αναβοσβήνει: συσκευή στο ηλεκτρικό δίκτυο

Διαγνωστικός σηματοδότης (λειτουργία λήψης)	Βλάβη	Αιτία	Αντιμετώπιση
Δεν ανάβει καμία λυχνία LED	Η συσκευή δεν θερμαίνεται	Λείπει μία ή περισσότερες φάσεις της τάσης δικτύου ρεύματος Ηλεκτρονικό σύστημα χαλασμένο	Ελέγξτε τις ασφάλειες στην οικιακή εγκατάσταση Αντικαταστήστε το λειτουργικό υποσύστημα
Πράσινο που αναβοσβήνει, κίτρινο σβηστό, κόκκινο σβηστό	Όχι ζεστό νερό	Η ποσότητα ενεργοποίησης της συσκευής δεν επιτυγχάνεται, η κεφαλή καταιονισμού / ο ρυθμιστής ψεκασμού έχει επικαθίσεις αλάτων Η ποσότητα ενεργοποίησης της συσκευής δεν επιτυγχάνεται, η σήτα στη ροή εισόδου κρύου νερού έχει ρύπους Η καταγραφή διέλευσης δεν είναι συνδεδεμένη Η καταγραφή διέλευσης είναι χαλασμένη ή έχει ρύπους Ηλεκτρονικό σύστημα χαλασμένο	Απομακρύνετε τις επικαθίσεις αλάτων / αντικαταστήστε την κεφαλή καταιονισμού / τον ρυθμιστή ψεκασμού Καθαρίστε τη σήτα Ελέγξτε τη σύνδεση φως και ενδεχ. διορθώστε τη Αντικαταστήστε την καταγραφή διέλευσης Αντικαταστήστε το λειτουργικό υποσύστημα
Πράσινο που αναβοσβήνει, κίτρινο αναμμένο, κόκκινο σβηστό	Καθόλου ζεστό νερό, η θερμοκρασία ροής εξόδου δεν αντιστοιχεί στην προδιαγραφόμενη τιμή	Μπαταρία χαλασμένη Μονάδα χειρισμού μετά την ενεργοποίηση της τάσης δικτύου ρεύματος συνδεδεμένη στο ηλεκτρονικό σύστημα Αισθητήρας ροής εξόδου χαλασμένος Σύστημα θέρμανσης χαλασμένο Ηλεκτρονικό σύστημα χαλασμένο	Αντικαταστήστε την μπαταρία Απενεργοποιήστε τις ασφάλειες στην οικιακή εγκατάσταση και έπειτα ενεργοποιήστε τις ξανά Αντικαταστήστε τον αισθητήρα ροής εξόδου Αντικαταστήστε το λειτουργικό υποσύστημα Αντικαταστήστε το λειτουργικό υποσύστημα
Πράσινο που αναβοσβήνει, κίτρινο σβηστό, κόκκινο αναμμένο	Καθόλου ζεστό νερό, η θερμοκρασία ροής εξόδου δεν αντιστοιχεί στην προδιαγραφόμενη τιμή	Διηγέρθηκε η αναγνώριση αέρα Ο διακόπτης ασφαλείας δεν ενεργοποιήθηκε κατά την «Πρώτη θέση σε λειτουργία» Ο διακόπτης ασφαλείας ενεργοποιήθηκε από τον περιοριστή θερμοκρασίας ασφαλείας Ο διακόπτης ασφαλείας ενεργοποιείται εκ νέου μετά από έλεγχο του περιοριστή θερμοκρασίας ασφαλείας χαλασμένος Ο διακόπτης ασφαλείας ενεργοποιείται εκ νέου, ηλεκτρονικό σύστημα χαλασμένο Βραχυκύκλωμα του αισθητήρα απορροής Ηλεκτρονικό σύστημα χαλασμένο	Συνεχίστε τη λήψη για > 1 λεπτό Ενεργοποιήστε τον διακόπτη ασφαλείας πατώντας σταθερά το πλήκτρο επαναφοράς Ελέγξτε τον περιοριστή θερμοκρασίας ασφαλείας (σύνδεση φως, καλώδιο σύνδεσης), ενεργοποιήστε τον διακόπτη ασφαλείας Αντικαταστήστε τον περιοριστή θερμοκρασίας ασφαλείας, ενεργοποιήστε τον διακόπτη ασφαλείας και πραγματοποιήστε λήψη με μέγιστη προδιαγραφόμενη τιμή > 1 λεπτό Αντικαταστήστε το λειτουργικό υποσύστημα Ελέγξτε τον αισθητήρα ροής εξόδου και ενδεχ. αντικαταστήστε τον Αντικαταστήστε το λειτουργικό υποσύστημα

15. Συντήρηση



ΠΡΟΕΙΔΟΠΟΙΗΣΗ Ηλεκτροπληξία

Αποσυνδέετε ολοπολικά τη συσκευή από τη σύνδεση ηλεκτρικού δικτύου σε όλες τις εργασίες.

Αυτή η συσκευή περιλαμβάνει πυκνωτές οι οποίοι αποφορτίζονται μετά την αποσύνδεσή τους από το δίκτυο ρεύματος. Η τάση αποφόρτισης του πυκνωτή ενδέχεται για μικρό διάστημα να είναι > 60 V DC.

15.1 Εκκένωση συσκευής

Μπορείτε να εκκενώσετε τη συσκευή για τις εργασίες συντήρησης.



ΠΡΟΕΙΔΟΠΟΙΗΣΗ Έγκαυμα

Όταν εκκενώνετε τη συσκευή, ενδέχεται να εκρυσταλλώσει ζεστό νερό.

- ▶ Κλείστε τη βαλβίδα φραγής στον σωλήνα παροχής κρύου νερού.
- ▶ Ανοίξτε όλες τις βαλβίδες λήψης.
- ▶ Λύστε τις συνδέσεις νερού από τη συσκευή.
- ▶ Οι αποσυναρμολογημένες συσκευές επιτρέπεται να αποθηκεύονται μόνο σε χώρους χωρίς παγετό, επειδή στη συσκευή παραμένει υπολειπόμενο νερό που μπορεί να παγώσει και να προκαλέσει ζημιές.

15.2 Καθαρίστε τη σήτα



ΠΡΟΕΙΔΟΠΟΙΗΣΗ Έγκαυμα

Όταν εκκενώνετε τη συσκευή, ενδέχεται να εκρυσταλλώσει ζεστό νερό.



Υλικές ζημιές

Προκειμένου να μην καταστραφεί το σύστημα θέρμανσης γυμνού σύρματος μετά από διακοπή της υδροδότησης, πρέπει να τηρηθούν τα παρακάτω βήματα για να τεθεί εκ νέου σε λειτουργία η συσκευή.

- ▶ Διακόψτε την τάση προς τη συσκευή, κατεβάζοντας τις ασφάλειες.
- ▶ Εξαερώστε τη συσκευή και τον σωλήνα ροής εισόδου κρύου νερού (βλέπε κεφάλαιο «Θέση σε λειτουργία / Πρώτη θέση σε λειτουργία»).
- ▶ Ενεργοποιήστε ξανά την τροφοδοσία τάσης.

Η σήτα στη βιδωτή σύνδεση κρύου νερού πρέπει να καθαρίζεται τακτικά.

15.2.1 Καθαρίστε τη σήτα, στάνταρ επίτοιχη συναρμολόγηση

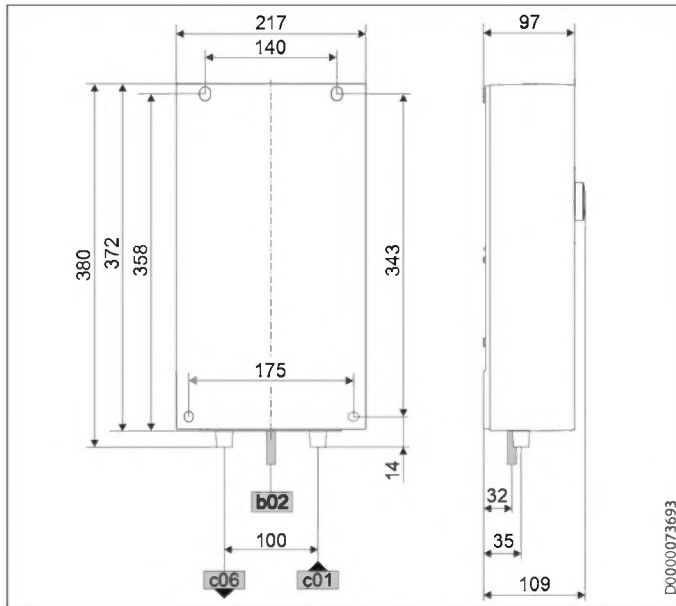
- ▶ Διακόψτε την τάση προς τη συσκευή.
- ▶ Κλείστε τη βαλβίδα φραγής στον σωλήνα ροής εισόδου κρύου νερού.
- ▶ Ανοίξτε όλες τις βαλβίδες λήψης.
- ▶ Αποσυναρμολογήστε τη βιδωτή σύνδεση κρύου νερού.
- ▶ Αφαιρέστε τη σήτα από τον διπλό μαστό με τη βοήθεια ενός πλακέ κατσαβιδιού. Καθαρίστε τη σήτα.
- ▶ Τοποθετήστε ξανά τη σήτα. Βιδώστε τον σωλήνα σύνδεσης κρύου νερού στον διπλό μαστό.
- ▶ Ανοίξτε τη βαλβίδα φραγής στον σωλήνα ροής εισόδου κρύου νερού.
- ▶ Εξαερώστε τη συσκευή και τον σωλήνα ροής εισόδου κρύου νερού (βλέπε κεφάλαιο «Θέση σε λειτουργία / Πρώτη θέση σε λειτουργία»).
- ▶ Ενεργοποιήστε την τροφοδοσία τάσης.

15.2.2 Καθαρίστε τη σήτα, υδραυλική εγκατάσταση κάτω από τον σοβά

- ▶ Διακόψτε την τάση προς τη συσκευή.
- ▶ Κλείστε τη βαλβίδα φραγής στον σωλήνα ροής εισόδου κρύου νερού.
- ▶ Ανοίξτε όλες τις βαλβίδες λήψης.
- ▶ Ανοίξτε τη συσκευή λύνοντας τις βίδες και ανασκώνοντας το κάλυμμα.
- ▶ Ξεβιδώστε τον σωλήνα σύνδεσης κρύου νερού από τον διπλό μαστό. Στρέψτε τον σωλήνα σύνδεσης κρύου νερού προς τα επάνω.
- ▶ Αφαιρέστε τη σήτα από τον διπλό μαστό. Καθαρίστε τη σήτα.
- ▶ Βιδώστε τον σωλήνα σύνδεσης κρύου νερού μαζί με τη σήτα με στεγανοποιητικό άκρο στον διπλό μαστό.
- ▶ Ανοίξτε τη βαλβίδα φραγής στον σωλήνα ροής εισόδου κρύου νερού.
- ▶ Εξαερώστε τη συσκευή και τον σωλήνα ροής εισόδου κρύου νερού (βλέπε κεφάλαιο «Θέση σε λειτουργία / Πρώτη θέση σε λειτουργία»).
- ▶ Ελέγξτε τη στεγανότητα της σύνδεσης κρύου νερού.
- ▶ Αναρτήστε το κάλυμμα της συσκευής από την επάνω πλευρά πίσω από το πίσω τοίχωμα της συσκευής. Σπρώξτε το κάλυμμα της συσκευής προς τα κάτω. Ελέγξτε τη σταθερή έδραση του καλύμματος της συσκευής επάνω και κάτω. Στερεώστε το καπάκι της συσκευής με τη βίδα.
- ▶ Ενεργοποιήστε την τροφοδοσία τάσης.

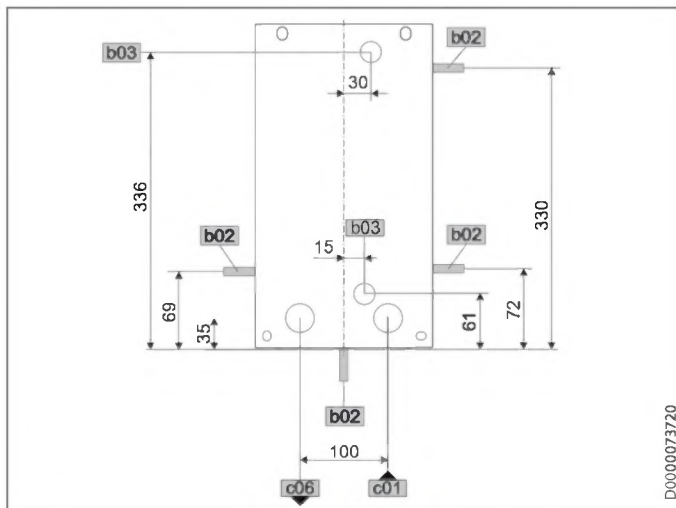
16. Τεχνικά χαρακτηριστικά

16.1 Διαστάσεις και συνδέσεις



		DCE-S Plus
b02	Διέλευση ηλεκτρ. καλωδίων I	Επίτοιχη
c01	Ροή εισόδου κρύου νερού	Εξωτερικό σπείρωμα G 1/2 A
c06	Απορροή ζεστού νερού	Εξωτερικό σπείρωμα G 1/2 A

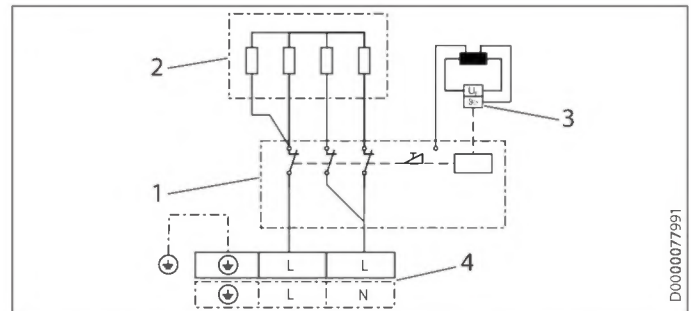
Εναλλακτικές δυνατότητες σύνδεσης



		DCE-S Plus
b02	Διέλευση ηλεκτρ. καλωδίων I	Επίτοιχη
b03	Διέλευση ηλεκτρ. καλωδίων II	Εντοιχισμένη
c01	Ροή εισόδου κρύου νερού	Εξωτερικό σπείρωμα G 1/2 A
c06	Απορροή ζεστού νερού	Εξωτερικό σπείρωμα G 1/2 A

16.2 Ηλεκτρικό διάγραμμα

DCE-S Plus	
	2/GRD ~ 220 - 240 V
	1/N/PE ~ 220 - 240 V



- 1 Ηλεκτρονικά ισχύος με ενσωματωμένο διακόπτη ασφαλείας
- 2 Σύστημα θέρμανσης γυμνού σύρματος
- 3 Περιοριστής θερμοκρασίας ασφαλείας
- 4 Ακροδέκτης σύνδεσης δικτύου ρεύματος

16.3 Απόδοση ζεστού νερού

Η απόδοση ζεστού νερού εξαρτάται από την ασκούμενη τροφοδοσία τάσης, την ισχύ σύνδεσης της συσκευής και τη θερμοκρασία ροής εισόδου κρύου νερού. Η ονομαστική τάση και η ονομαστική ισχύς αναγράφονται στην πινακίδα τύπου.

Ισχύς σύνδεσης σε kW	Απόδοση ζεστού νερού 38 °C σε l/min.						
	220 V	230 V	240 V	Θερμοκρασία ροής εισόδου κρύου νερού			
				5 °C	10 °C	15 °C	20 °C
DCE-S 6/8 Plus							
6,0				2,6	3,1	3,7	4,8
8,0				3,5	4,1	5,0	6,3
	6,6			2,9	3,4	4,1	5,2
	8,7			3,8	4,4	5,4	6,9
		7,2		3,1	3,7	4,5	5,7
		9,6		4,2	4,9	6,0	7,6
DCE-S 10/12 Plus							
10,0				4,3	5,1	6,2	7,9
12,0				5,2	6,1	7,5	9,5
	11,0			4,8	5,6	6,8	8,7
	13,1			5,7	6,7	8,1	10,4
		12,0		5,2	6,1	7,5	9,5
		14,3		6,2	7,3	8,9	11,3

Ισχύς σύνδεσης σε kW	Απόδοση ζεστού νερού 50 °C σε l/min.						
	220 V	230 V	240 V	Θερμοκρασία ροής εισόδου κρύου νερού			
				5 °C	10 °C	15 °C	20 °C
DCE-S 6/8 Plus							
6,0				1,9	2,1	2,4	2,9
8,0				2,5	2,9	3,3	3,8
	6,6			2,1	2,4	2,7	3,1
	8,7			2,8	3,1	3,6	4,1
		7,2		2,3	2,6	2,9	3,4
		9,6		3,0	3,4	3,9	4,6
DCE-S 10/12 Plus							
10,0				3,2	3,6	4,1	4,8
12,0				3,8	4,3	4,9	5,7
	11,0			3,5	3,9	4,5	5,2
	13,1			4,2	4,7	5,3	6,2
		12,0		3,8	4,3	4,9	5,7
		14,3		4,5	5,1	5,8	6,8

16.4 Πεδία εφαρμογής / Πίνακας μετατροπής

Ειδική ηλεκτρική αντίσταση και ειδική ηλεκτρική αγωγιμότητα.

Στοιχεία προτύπου στους 15 °C			20 °C			25 °C		
Αντίσταση $\sigma \leq$	Αγωγιμότητα		Αντίσταση $\sigma \leq$	Αγωγιμότητα		Αντίσταση $\sigma \leq$	Αγωγιμότητα	
$\rho \geq$	$\rho \geq$	$\rho \geq$	$\rho \geq$	$\rho \geq$	$\rho \geq$	$\rho \geq$	$\rho \geq$	$\rho \geq$
Ωcm	mS/m	$\mu\text{S/cm}$	Ωcm	mS/m	$\mu\text{S/cm}$	Ωcm	mS/m	$\mu\text{S/cm}$
1100	91	910	970	103	1031	895	112	1117

16.5 Απώλειες πίεσης

Μπαταρίες

Απώλεια πίεσης των μπαταριών σε ογκομετρική ροή 10 l/min		
Μονός μίκτης, περ.	MPa	0,04 - 0,08
Θερμοστατική μπαταρία, περ.	MPa	0,03 - 0,05
Κεφαλή καταιονισμού, περ.	MPa	0,03 - 0,15

Διαστασιολογήσεις δικτύου σωληνώσεων

Για τον υπολογισμό των διαστασιολογήσεων δικτύου σωληνώσεων συνιστάται μια απώλεια πίεσης 0,1 MPa για τη συσκευή.

16.6 Συνθήκες βλάβης

Σε περίπτωση βλάβης μπορούν να εμφανιστούν παροδικά στην εγκατάσταση επιβαρύνσεις έως 80 °C με πίεση 1,0 MPa.

16.7 Στοιχεία για την κατανάλωση ενέργειας

Δελτίο δεδομένων προϊόντος: Συμβατική συσκευή προετοιμασίας ζεστού νερού σύμφωνα με τον κανονισμό (ΕΕ) αρ. 812/2013 | 814/2013

		DCE-S 6/8 Plus	DCE-S 10/12 Plus
		238153	238154
Κατασκευαστής		STIEBEL ELTRON	STIEBEL ELTRON
Προφίλ φορτίου		XS	XS
Κατηγορία ενεργειακής αποδοτικότητας		A	A
Ενεργός βαθμός απόδοσης	%	39	39
Ετήσια κατανάλωση ρεύματος	kWh	472	474
Εργοστασιακή ρύθμιση θερμοκρασίας	°C	60	60
Στάθμη ισχύος θορύβου	dB(A)	15	15
Ειδικές υποδείξεις για τη μέτρηση της αποδοτικότητας		Μέτρηση με ενσωματωμένο DMB, μέγιστη ισχύ και μέγιστη προδιαγραφόμενη τιμή	Μέτρηση με ενσωματωμένο DMB, μέγιστη ισχύ και μέγιστη προδιαγραφόμενη τιμή
Ημερήσια κατανάλωση ρεύματος	kWh	2,161	2,174

Τεχνικά χαρακτηριστικά

16.8 Πίνακας χαρακτηριστικών

		DCE-S 6/8 Plus 238153			DCE-S 10/12 Plus 238154		
Ηλεκτρικά χαρακτηριστικά							
Όνομαστική τάση	V	220	230	240	220	230	240
Όνομαστική ισχύς	kW	6,0/8,0	6,6/8,7	7,2/9,6	10,0/12,0	11,0/13,1	12,0/14,3
Όνομαστικό ρεύμα	A	27,3/36,4	28,5/38,0	30,0/40,0	45,5/54,5	47,8/57,0	50,0/59,5
Ασφάλιση	A			30/40			50/60
Συχνότητα	Hz			50/60			50/60
Φάσεις				1/N/PE			1/N/PE
Ειδική αντίσταση ρ ₁₅ ≥	Ω cm			1100			1100
Ειδική αγωγιμότητα σ ₁₅ ≤	μS/cm			910			910
Μέγ. σύνθετη αντίσταση δικτύου στα 50 Hz	Ω	0,0385	0,0368	0,0353	0,0257	0,0245	0,0235
Συνδέσεις							
Υδραυλική σύνδεση				G 1/2 A			G 1/2 A
Όρια εφαρμογής							
Ελάχιστη πίεση τροφοδοσίας	MPa			0,18 (1,8 bar / 26 psi)			0,18 (1,8 bar / 26 psi)
Μέγ. επιτρεπόμενη πίεση	MPa			1 (10 bar / 150 psi)			1 (10 bar / 150 psi)
Μέγ. θερμοκρασία παροχής για ζέσταμα	°C			55			55
Περιοχή ρύθμισης θερμοκρασίας	°C			20-60			20-60
Τιμές							
Μέγ. θερμοκρασία ροής εισόδου (π.χ. θερμική απολύμανση)	°C			70			70
Ενεργό	l/min			1,3			1,3
Ογκομετρική ροή σε 28 K	l/min			3,1/4,1 @ 220 V			5,1/6,2 @ 220 V
Ογκομετρική ροή σε 50 K	l/min			1,7/2,3 @ 220 V			2,9/3,5 @ 220 V
Απώλεια πίεσης για ογκομετρική ροή σε 50 K (χωρίς περιοριστή ολικής ροής)	MPa			0,01/0,01			0,02/0,03
Περιορισμός ογκομετρικής ροής σε	l/min			4			5
Υδραυλικά χαρακτηριστικά							
Όνομαστική χωρητικότητα	l			0,277			0,277
Εκδόσεις							
Είδος συναρμολόγησης				Πάνω από πάγκο/κάτω από πάγκο			Πάνω από πάγκο/κάτω από πάγκο
Ισχύς σύνδεσης επιλεγόμενη				X			X
Κατηγορία προστασίας				1			1
Μονωτικό μπλοκ				Πλαστικό			Πλαστικό
Σύστημα θέρμανσης με γεννήτρια θερμότητας				Γυμνό σύρμα			Γυμνό σύρμα
Πώμα και πίσω τοίχωμα				Πλαστικό			Πλαστικό
Χρώμα				λευκό			λευκό
Είδος προστασίας (IP)				IP 25			IP 25
Διαστάσεις							
Ύψος	mm			372			372
Πλάτος	mm			217			217
Βάθος	mm			109			109
Βάρη							
Βάρος	kg			2,5			2,5



Υπόδειξη

Η συσκευή συμμορφώνεται με το πρότυπο IEC 61000-3-12.

Εγγύηση

Για τις συσκευές που έχουν αγοραστεί εκτός Γερμανίας δεν ισχύουν οι όροι εγγύησης των γερμανικών εταιρειών. Επίσης, στις χώρες στις οποίες τα προϊόντα μας πωλούνται από θυγατρική μας εταιρεία, η παροχή εγγύησης είναι δυνατή μόνο από τη συγκεκριμένη θυγατρική εταιρεία. Μια τέτοια εγγύηση παρέχεται μόνο όταν η θυγατρική εταιρεία έχει εκδώσει δικούς της όρους εγγύησης. Δεν παρέχεται καμία περαιτέρω εγγύηση.

Για τις συσκευές που έχουν αγοραστεί σε χώρες, στις οποίες τα προϊόντα μας δεν πωλούνται από θυγατρική μας εταιρεία, δεν παρέχεται καμία εγγύηση. Τυχόν συμφωνημένες εγγυήσεις από τον εισαγωγέα δεν θίγονται από την παρούσα.

Περιβάλλον και ανακύκλωση

Βοηθήστε στην προστασία του περιβάλλοντος. Απορρίψτε τα υλικά μετά τη χρήση σύμφωνα με τους εθνικούς κανονισμούς.

СПЕЦИАЛЬНЫЕ УКАЗАНИЯ

ЭКСПЛУАТАЦИЯ

1. Общие указания	86
1.1 Указания по технике безопасности	86
1.2 Другие обозначения в данной документации	86
1.3 Единицы измерения	86
2. Техника безопасности	86
2.1 Использование по назначению	86
2.2 Общие указания по технике безопасности	86
2.3 Знак технического контроля	87
3. Описание устройства	87
3.1 Настройка заданной температуры	88
3.2 Рекомендации по регулированию	88
4. Чистка, уход и техническое обслуживание	88
5. Поиск и устранение проблем	88

УСТАНОВКА

6. Техника безопасности	89
6.1 Общие указания по технике безопасности	89
6.2 Режим душа	89
6.3 Предписания, стандарты и положения	89
7. Описание устройства	89
7.1 Комплект поставки	89
7.2 Принадлежности	89
8. Подготовительные мероприятия	90
8.1 Место монтажа	90
8.2 Минимальные расстояния	90
8.3 Водопроводные работы	90
9. Монтаж	90
9.1 Стандартный открытый монтаж	91
10. Ввод в эксплуатацию	92
10.1 Установка внутренней защиты от обваривания с помощью перемычки	92
10.2 Переналадка мощности с помощью перемычки	92
10.3 Первый ввод в эксплуатацию	92
10.4 Повторный ввод в эксплуатацию	93
11. Вывод из эксплуатации	93
12. Варианты монтажа	93
12.1 Электроподключение скрытое, сверху	93
12.2 Электроподключение снизу при скрытой проводке	94
12.3 Подключение к системе электроснабжения при коротком кабеле питания	94
12.4 Боковое электроподключение при открытом монтаже	94
12.5 Скрытый монтаж водопровода	94
12.6 Работа с предварительно подогретой водой	96
13. Сервисная информация	96
14. Поиск и устранение неисправностей	97
15. Техническое обслуживание	98
15.1 Опорожнение прибора	98
15.2 Очистить сетчатый фильтр	98
16. Технические характеристики	99
16.1 Размеры и соединения	99
16.2 Электрическая схема	99
16.3 Производительность по горячей воде	99

16.4 Рабочие диапазоны / Таблица пересчета данных	100
16.5 Потери давления	100
16.6 Возможные неисправности	100
16.7 Характеристики энергопотребления	100
16.8 Таблица параметров	101

ГАРАНТИЯ

ЗАЩИТА ОКРУЖАЮЩЕЙ СРЕДЫ И УТИЛИЗАЦИЯ

СПЕЦИАЛЬНЫЕ УКАЗАНИЯ

- Детям старше 3 лет, а также лицам с ограниченными физическими и умственными способностями, не имеющим опыта и не владеющим информацией о приборе, разрешено использовать прибор только под присмотром других лиц или после соответствующего инструктажа о правилах безопасного пользования и потенциальной опасности в случае несоблюдения этих правил. Не допускать игр детей с прибором. Дети могут выполнять чистку прибора и те виды технического обслуживания, которые обычно производятся пользователем, только под присмотром взрослых.
- Во время работы смеситель может нагреваться до температуры 70 °С. При температуре воды на выходе выше 43 °С существует опасность обваривания.
- Прибор подходит для снабжения горячей водой душа (режим душа). Если прибор будет периодически или постоянно использоваться в режиме душа, специалист должен ограничить температуру посредством внутренней защиты от обваривания, установив ограничение на 55 °С или ниже. При использовании предварительно подогретой воды необходимо убедиться, что температура подачи не будет превышать 55 °С.
- Прибор должен отключаться от сети с размыканием всех контактов на всех полюсах и изолированием на расстоянии не менее 3 мм.
- Напряжение сети должно совпадать с указанным на табличке.
- Прибор необходимо подключить к проводу заземления.
- Прибор должен быть подключен к стационарной электрической проводке.
- Закрепить прибор, как описано в главе «Установка / Монтаж».
- Соблюдать эксплуатационные лимиты (см. главу «Установка / Технические характеристики / Таблица параметров»).
- Удельное электрическое сопротивление воды не должно быть ниже указанного на заводской табличке (см. главу «Установка / Технические характеристики / Таблица параметров»).
- При опорожнении прибора следовать указаниям главы «Установка / Техническое обслуживание / Опорожнение прибора».

ЭКСПЛУАТАЦИЯ

1. Общие указания

Главы «Специальные указания» и «Эксплуатация» предназначены для пользователя и специалиста.

Глава «Установка» предназначена для специалиста.



Указание

Перед началом эксплуатации следует внимательно прочитать данное руководство и сохранить его. При необходимости передать настоящее руководство следующему пользователю.

1.1 Указания по технике безопасности

1.1.1 Структура указаний по технике безопасности



СИГНАЛЬНОЕ СЛОВО Вид опасности
Здесь приведены возможные последствия несоблюдения указания по технике безопасности.
► Здесь приведены мероприятия по предотвращению опасности.

1.1.2 Символы, вид опасности

Символ	Вид опасности
	Травма
	Поражение электрическим током
	Ожог (ожог, обваривание)

1.1.3 Сигнальные слова

СИГНАЛЬНОЕ СЛОВО	Значение
ОПАСНОСТЬ	Указания, несоблюдение которых приводит к серьезным травмам или к смертельному исходу.
ПРЕДУПРЕЖДЕНИЕ	Указания, несоблюдение которых может привести к серьезным травмам или к смертельному исходу.
ОСТОРОЖНО	Указания, несоблюдение которых может привести к травмам средней тяжести или к легким травмам.

1.2 Другие обозначения в данной документации



Указание

Общие указания обозначены приведенным рядом с ними символом.

► Внимательно прочитайте тексты указаний.

Символ	Значение
	Материальный ущерб (повреждение оборудования, косвенный ущерб и ущерб окружающей среде)
	Утилизация устройства

► Этот символ указывает на необходимость выполнения определенных действий. Описание необходимых действий приведено шаг за шагом.

1.3 Единицы измерения



Указание

Если не указано иное, все размеры указаны в миллиметрах.

2. Техника безопасности

2.1 Использование по назначению

Прибор предназначен для нагрева холодной воды или дополнительного подогрева воды, нагретой ранее. Прибор может обеспечивать одну или несколько точек отбора.

В случае превышения максимально допустимой температуры догреваемой воды на входе догрев не производится.

Прибор предназначен для бытового использования. Для его безопасного обслуживания пользователю не требуется проходить инструктаж. Возможно использование прибора не только в быту, но и, например, на предприятиях малого бизнеса, при условии соблюдения тех же условий эксплуатации.

Любое иное или не указанное в настоящем руководстве использование данного устройства считается использованием не по назначению. Использование по назначению подразумевает соблюдение требований настоящего руководства, а также руководств к используемым принадлежностям.

2.2 Общие указания по технике безопасности



ОСТОРОЖНО ожог

Во время работы смеситель может нагреваться до температуры 70 °С. При температуре воды на выходе выше 43 °С существует опасность обваривания.



ОСТОРОЖНО ожог

Если прибором пользуются дети или лица с ограниченными физическими, сенсорными и умственными способностями, необходимо установить длительное и постоянное ограничение температуры. Чтобы настроить внутреннюю защиту от обваривания, необходимо обратиться к специалисту.



ОСТОРОЖНО ожог

При работе с предварительно нагретой водой, например, при использовании солнечной системы отопления, учитывать следующее:

Температура горячей воды может превышать заданное значение расчетной температуры или предельное значение температуры.

► В этом случае ограничение задается посредством предустановленного центрального термостатического смесителя.



ПРЕДУПРЕЖДЕНИЕ травма

Детям старше 3 лет, а также лицам с ограниченными физическими и умственными способностями, не имеющим опыта и не владеющим информацией о приборе, разрешено использовать прибор только под присмотром других лиц или после соответствующего инструктажа о правилах безопасного пользования и потенциальной опасности в случае несоблюдения этих правил. Не допускать игр детей с прибором. Дети могут выполнять чистку прибора и те виды технического обслуживания, которые обычно производятся пользователем, только под присмотром взрослых.



Материальный ущерб

Пользователь должен обеспечить защиту прибора и смесителя от замерзания.



Указание

Для обеспечения степени защиты IP 25 крепить прибор на стенке нужно с помощью винтов с потайной головкой.

2.3 Знак технического контроля

См. заводскую табличку на приборе.

Евразийское соответствие



Данный прибор соответствует требованиям безопасности технических регламентов Евразийского Экономического Союза ТР ТС 004/2011, ТР ТС 020/2011 и прошел соответствующие процедуры подтверждения соответствия. Сертификат соответствия № ЕАЭС RU С-DE.АЯ46.В.18484/21, срок действия с 12.03.2021 г. по 11.03.2026 г. Орган по сертификации «РОСТЕСТ-Москва» АО «Региональный орган по сертификации и тестированию».

3. Описание устройства

При открытии крана горячей воды на смесителе прибор включается автоматически. При закрытии смесителя прибор автоматически выключается.

Прибор подогревает проходящую через него воду. Расчетная температура является регулируемой. При достижении определенной скорости потока система регулирования регулирует мощность нагрева в зависимости от установленной температуры и температуры холодной воды.

Проточный нагреватель с электронным управлением имеет автоматическую подстройку мощности, обеспечивающую постоянную температуру воды на выходе. Поддержание постоянной температуры не зависит от температуры на входе в пределах максимальной мощности прибора.

Если прибор работает с предварительно подогретой водой, а температура на входе превышает заданную, вода не догревается.

Нагревательная система

Нагревательная система с нагревательным элементом открытого типа закрыта пластмассовой оболочкой, выдерживающей давление. Нагревательная система с нагревательной спиралью из нержавеющей стали пригодна для мягкой и жесткой воды, так как она практически невосприимчива к образованию накипи. Нагревательная система обеспечивает быстрое и эффективное снабжение горячей водой.



Указание

Прибор оснащен системой обнаружения воздуха, которая предотвращает повреждение системы нагрева. Если во время эксплуатации прибора в него попадает воздух, прибор отключает нагрев на одну минуту, защищая тем самым свою нагревательную систему.

После отключения подачи воды

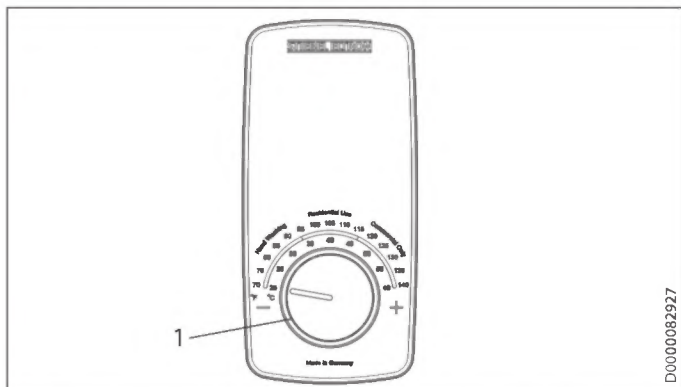


Материальный ущерб

Чтобы избежать повреждения нагревательной системы с открытым нагревательным элементом, в случае нарушения водоснабжения следует выполнить описанную ниже процедуру повторного ввода прибора в эксплуатацию.

- Обесточить прибор, отключив предохранители.
- Удалить воздух из прибора и трубопровода подачи холодной воды (см. главу «Установка / Ввод в эксплуатацию / Первый ввод в эксплуатацию»).
- Вновь включить электропитание.

3.1 Настройка заданной температуры



1 Ручка регулятора температуры для настройки заданной температуры

3.2 Рекомендации по регулированию

Проточный нагреватель обеспечивает максимально точную и максимально комфортную подготовку горячей воды. Если прибор при этом эксплуатируется с термостатическим смесителем, то необходимо учитывать следующие рекомендации:

- ▶ Задать на приборе температуру выше 50 °C. В таком случае заданная температура устанавливается на термостатическом смесителе.

Экономия энергии

Рекомендованные настройки требуют минимальных затрат энергии:

- 38 °C для умывальника, душа, ванны
- 55 °C для кухонной мойки

Ограничение температуры при помощи внутренней защиты от ошпаривания (специалист)

По желанию клиента специалист может установить постоянно действующее ограничение температуры, например, в детском саду, больнице и т. п.

При подаче воды в душ специалист должен ограничить температурный диапазон на приборе максимумом 55 °C или ниже.

Такое ограничение позволяет предотвратить выход из прибора воды, температура которой может привести к обвариванию.

Рекомендации для настроек при использовании термостатического смесителя и предварительном подогреве воды в гелиоустановке

- ▶ Установить ручку регулятора температуры на максимальное значение.

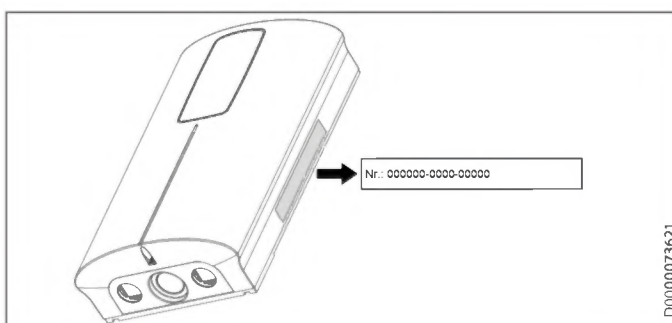
4. Чистка, уход и техническое обслуживание

- ▶ Не использовать абразивные или едкие чистящие средства. Для ухода за прибором и очистки корпуса достаточно влажной тканевой салфетки.
- ▶ Необходимо регулярно проверять смесители. Известковые отложения на изливе смесителя можно удалить с помощью имеющихся в продаже средств для удаления накипи.

5. Поиск и устранение проблем

Проблема	Причина	Способ устранения
Прибор не включается, несмотря на полностью открытый кран горячей воды.	Отсутствует напряжение.	Проверить предохранители домашней электросети.
	Загрязнение или известкование регулятора струи или душевой лейки.	Очистить регулятор струи или душевую лейку и / или удалить известковый налет.
	Водоснабжение отключено.	Удалить воздух из прибора и трубопровода подачи холодной воды (см. главу «Установка / Ввод в эксплуатацию / Первый ввод в эксплуатацию»).
В начале отбора горячей воды некоторое время течет холодная вода.	Система обнаружения воздуха распознает наличие воздуха в воде. Нагрев выключается на короткое время.	Прибор включится самостоятельно через 1 минуту.
Во время эксплуатации слышен шум кипящей воды.	Из прибора не удален воздух.	Удалить воздух из прибора (см. главу «Установка / Ввод в эксплуатацию / Первый ввод в эксплуатацию»).
	Очень слабое давление подачи.	Следует убедиться, что достигнуто минимальное давление подачи (см. главу «Установка / Технические характеристики / Таблица параметров»).
Желаемая температура не устанавливается.	Активирована внутренняя функция защиты от обваривания.	Внутренняя защита от обваривания может быть изменена только специалистом.

Если невозможно устранить эту неисправность самостоятельно, нужно вызвать специалиста. Чтобы специалист смог оперативно помочь, следует сообщить ему номер прибора с заводской таблички (000000-0000-000000).



УСТАНОВКА

6. Техника безопасности

Установка, ввод в эксплуатацию, а также техническое обслуживание и ремонт прибора должны производиться только квалифицированным специалистом.

6.1 Общие указания по технике безопасности

Безупречная работа и эксплуатационная безопасность прибора гарантируются только при использовании соответствующих оригинальных принадлежностей и оригинальных запчастей.



Материальный ущерб

Необходимо учитывать максимально допустимое значение температуры подачи. При более высоких температурах подачи возможно повреждение прибора. При установке центрального термостатического смесителя максимальную температуру подаваемой воды можно ограничить.



ПРЕДУПРЕЖДЕНИЕ поражение электрическим током

В этом приборе имеются конденсаторы, которые разряжаются после отключения от сети электропитания. Напряжение разряда конденсатора может в ряде случаев кратковременно составлять > 60 В пост. тока.

6.2 Режим душа



ОСТОРОЖНО ожог

► Если душ имеет встроенную защиту от ожога, установить температуру 55 °C или ниже (см. главу «Ввод в эксплуатацию / Подготовительные работы»).



ОСТОРОЖНО ожог

При работе с предварительно нагретой водой, например, при использовании солнечной системы отопления, учитывать следующее: Температура горячей воды может превышать заданное значение расчетной температуры или предельное значение температуры.

► В этом случае ограничение задается посредством предустановленного центрального термостатического смесителя.

6.3 Предписания, стандарты и положения



Указание

Необходимо соблюдать все национальные и региональные предписания и положения.

- Степень защиты IP 25 (защита от брызг воды) обеспечивается только при условии правильной установки кабельной втулки и использовании винтов с утопленными головками диаметром 4,5 мм (диаметр головки не более 9 мм).
- Удельное электрическое сопротивление воды не должно быть ниже указанного на заводской табличке! Если речь идет об объединенной системе водоснабжения, необходимо учитывать наименьшее электрическое сопротивление воды. Выяснить удельное электрическое сопротивление или электропроводность воды на предприятии водоснабжения.

7. Описание устройства

7.1 Комплект поставки

В комплект поставки прибора входят:

- 2 двойных ниппеля 45°
- 2 плоских уплотнения
- 2 уплотнительных кольца
- Кабельная втулка
- Сетчатый фильтр
- Ограничитель расхода
- Перемычка для защиты от обваривания, установлена
- Перемычка для переключения мощности, установлена

7.2 Принадлежности

Монтажный набор для скрытого монтажа водопровода (200016 - UP-Kit EU)

Монтажный набор для скрытого монтажа водопровода содержит такие элементы:

- 2 втулки для уплотнения отверстий в задней стенке прибора.
- Сетчатый фильтр для установки в 45-градусный двойной ниппель.
- Плоское уплотнение

8. Подготовительные мероприятия

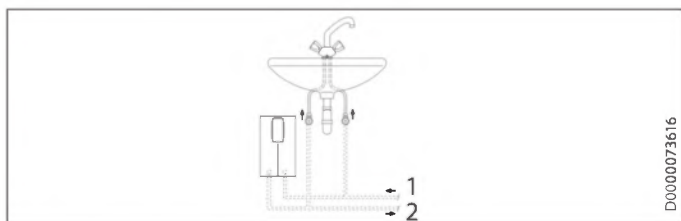
8.1 Место монтажа

! **Материальный ущерб**
Устанавливать прибор можно только в отапливаемом помещении.

- ▶ Устанавливать прибор следует вертикально, в непосредственной близости от точки отбора воды.

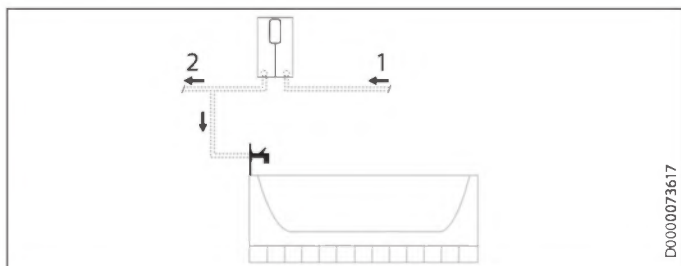
Прибор можно устанавливать под раковиной или над ней.

Монтаж под раковиной



- 1 Поддача холодной воды
- 2 Выпуск горячей воды

Монтаж над раковиной



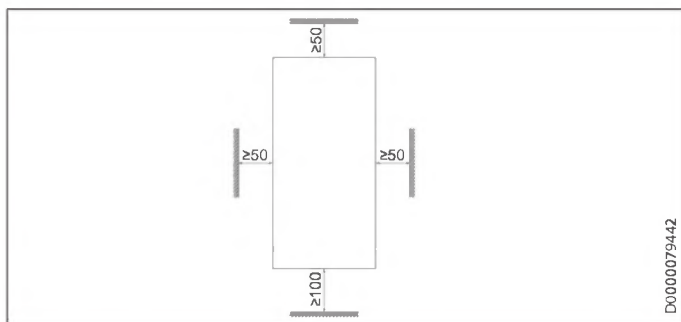
- 1 Поддача холодной воды
- 2 Выпуск горячей воды



Указание

- ▶ Монтировать прибор следует вровень со стеной. Стена должна обладать достаточной несущей способностью.

8.2 Минимальные расстояния



- ▶ Необходимо соблюдать минимальные расстояния, чтобы обеспечить бесперебойную эксплуатацию устройства и проведение технического обслуживания.

8.3 Водопроводные работы

! **Материальный ущерб**
Все работы по подключению воды и установке прибора необходимо производить в соответствии с инструкцией.

- ▶ Тщательно промыть водопроводную систему.

Смесители

Использовать подходящие напорные смесители. Запрещено использовать безнапорные смесители.

Разрешенные материалы для водопроводных труб

- Трубопровод подачи холодной воды:
труба из горячеоцинкованной стали, нержавеющей стали, меди или пластика
- Трубопровод горячей воды:
труба из нержавеющей стали, меди или пластика

! **Материальный ущерб**
При использовании пластмассовых труб нужно учитывать максимально допустимую температуру на входе и максимально допустимое давление.

Объемный расход

- ▶ Необходимо убедиться, что объемный расход достаточен для включения прибора.
- ▶ Если при полностью открытом раздаточном кране нужный объемный расход не достигается, следует удалить ограничитель расхода из подвода холодной воды.

При необходимости можно также увеличить давление в водопроводе.

9. Монтаж

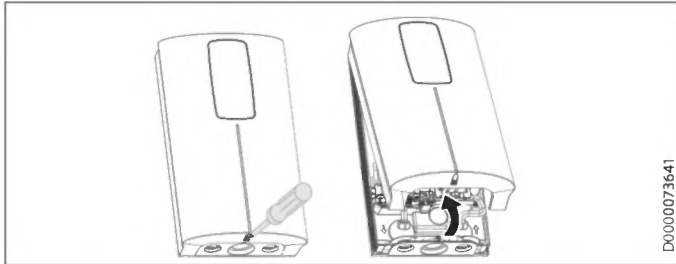
Заводские настройки	DCE-S 6/8 Plus	DCE-S 10/12 Plus
Внутренняя защита от обваривания, °C	60	60
Потребляемая мощность, кВт	при 220 В	8,0
	при 230 В	8,7
	при 240 В	9,6

Стандартный монтаж	DCE-S 6/8 Plus	DCE-S 10/12 Plus
Подключение к электросети снизу, открытый монтаж	x	x
Подключение к водопроводу при открытом монтаже	x	x

Другие способы монтажа см. главу «Варианты монтажа».

9.1 Стандартный открытый монтаж

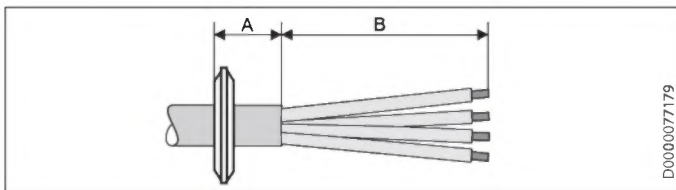
Открытие прибора



D0000073641

- ▶ Открыть прибор, отпустив винт и откинув крышку прибора.

Подготовка кабеля питания



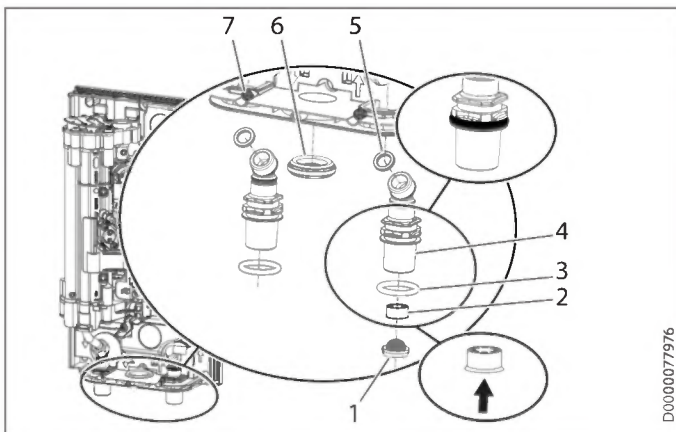
D0000077179

- ▶ Подготовить кабель питания.

Позиция открытого монтажа	Размер A	Размер B
Внизу, посередине	30	120
Внизу, с левой стороны прибора	20	90
Внизу, с правой стороны прибора	20	90
Вверху, с правой стороны прибора	20	80

Позиция скрытого монтажа	Размер A	Размер B
внизу	20	90
вверху	20	80

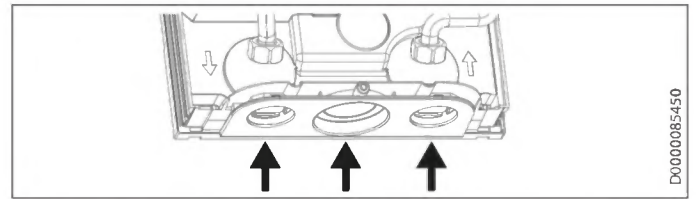
Подготовительные мероприятия



D0000077976

- 1 Сетчатый фильтр
- 2 Ограничитель расхода
- 3 Уплотнительные кольца
- 4 Двойной ниппель 45°
- 5 Плоские уплотнения
- 6 Кабельная втулка
- 7 Стопорные винты

- ▶ Отпустить стопорные винты.

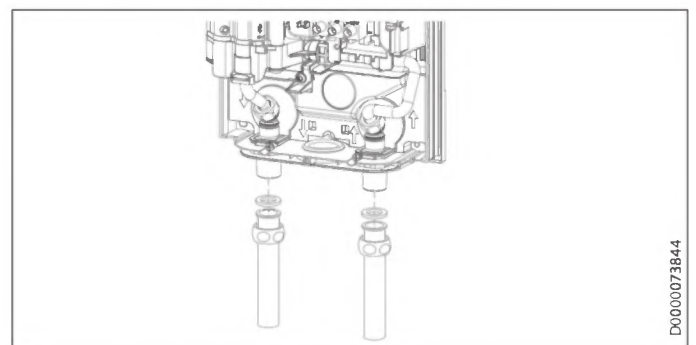


D0000085450

- ▶ Пробить/выломать по насечкам в задней стенке прибора необходимые вводы для кабеля питания и двойных ниппелей. Использовать для этого подходящий плоский инструмент. Острые кромки зачистить напильником.
- ▶ Удалить транспортные заглушки из патрубков для подключения воды.
- ▶ Вырезать в кабельной втулке отверстие согласно выбранному соединительному проводу. Смонтировать кабельную втулку.
- ▶ Установить уплотнительные кольца в пазы двойных ниппелей.
- ▶ Вставить двойные ниппели в отверстия на задней стенке прибора и подключить их к соединительным патрубкам прибора, используя плоские уплотнения (момент затяжки 8 Нм).
- ▶ Зафиксировать двойные ниппели стопорными винтами.
- ▶ Установить ограничитель расхода и сетчатый фильтр в двойные ниппели подвода холодной воды. Учитывать пространственную ориентацию ограничителя расхода.

Монтаж прибора

- ▶ Выбить/выломать из задней стенки прибора нижние продольные отверстия (расстояние 175 мм), предназначенные для крепления прибора (позиции см. в главе «Технические характеристики / Размеры и соединения»). Оба верхних крепежных отверстия уже готовы для использования.
- ▶ Наметить четыре точки сверления, используя заднюю стенку прибора.
- ▶ Просверлить отверстия и закрепить прибор подходящим крепежным материалом (винты и дюбели не входят в комплект поставки): винт с потайной головкой диаметром 4,5 мм, макс. диаметр головки – 9 мм.



D0000073844

- ▶ Выполнить монтаж соответствующего напорного смесителя.
- ▶ Прикрутить патрубки смесителя (не входят в комплект поставки) к двойным ниппелям, установив плоские уплотнения.
- ▶ Открыть запорный кран на линии подачи холодной воды.

Подключение к сети электропитания



ПРЕДУПРЕЖДЕНИЕ поражение электрическим током
Все работы по электрическому подключению и установке необходимо производить в соответствии с инструкцией.



ПРЕДУПРЕЖДЕНИЕ поражение электрическим током
Подключение к электросети допустимо только в неразъемном исполнении, со съемной кабельной втулкой. Прибор должен отключаться от сети с размыканием всех контактов на всех полюсах и изолированием на расстоянии не менее 3 мм.



ПРЕДУПРЕЖДЕНИЕ поражение электрическим током
Проверить подключение прибора к защитному проводу.

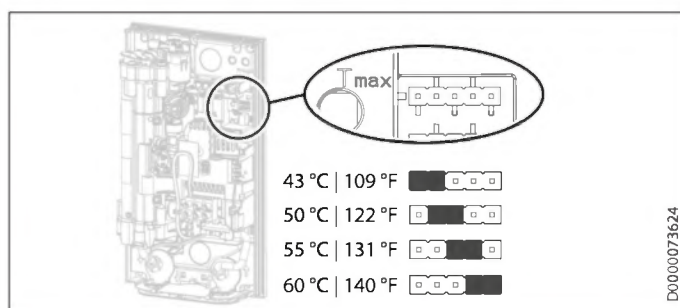


Материальный ущерб
Учитывать данные на заводской табличке. Указанное номинальное напряжение сети должно совпадать с фактическим.

- ▶ Пропустить кабель питания через кабельную втулку.
- ▶ Подключить кабель питания к соединительной клемме (см. главу «Установка / Технические характеристики / Электрическая схема»).

10. Ввод в эксплуатацию

10.1 Установка внутренней защиты от обваривания с помощью переключки



- ▶ Установить переключку в нужную позицию на контактной панели «Tmax».

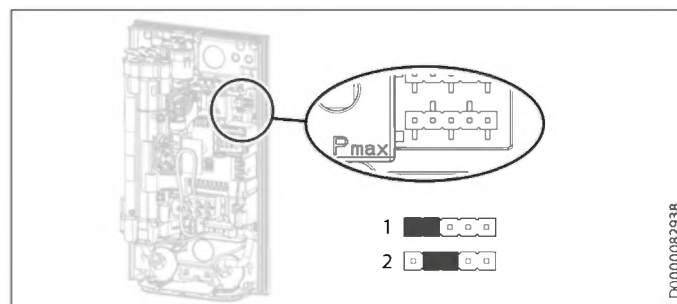
Позиция переключки	Описание
43 °C 109 °F	Например, в детском саду, больнице и т. п.
50 °C 122 °F	
55 °C 131 °F	Макс. для режима душа
60 °C 140 °F	Заводская настройка
Без переключки	Ограничение 43 °C 109 °F



ОСТОРОЖНО ожог
В режиме эксплуатации с предварительно нагретой водой, например, при использовании солнечной системы отопления, возможно превышение температуры внутренней защиты от обваривания.
▶ В этом случае ограничение задается посредством предустановленного центрального термостатического смесителя.

10.2 Переналадка мощности с помощью переключки

Чтобы выбрать на приборе присоединяемую мощность, которая отличается от установленной на заводе, нужно переставить переключку.

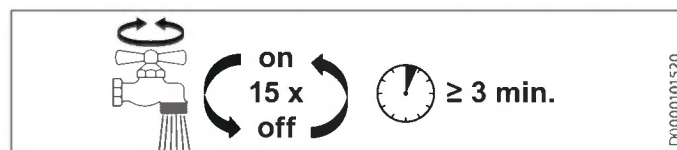


- ▶ Установить переключку в нужную позицию на контактной панели «Pmax».

Позиция переключки	Мощность	DCE-S Plus	
		DCE-S 6/8 Plus	DCE-S 10/12 Plus
1 [low]	при 220 В	6,0 кВт	10,0 кВт
	при 230 В	6,6 кВт	11,0 кВт
	при 240 В	7,2 кВт	12,0 кВт
2 [high]	при 220 В	8,0 кВт	12,0 кВт
	при 240 В	9,6 кВт	14,3 кВт
Заводская настройка	при 230 В	8,7 кВт	13,1 кВт
	при 240 В	9,6 кВт	14,3 кВт
Без переключки [low]	при 220 В	6,0 кВт	10,0 кВт
	при 230 В	6,6 кВт	11,0 кВт
	при 240 В	7,2 кВт	12,0 кВт

10.3 Первый ввод в эксплуатацию

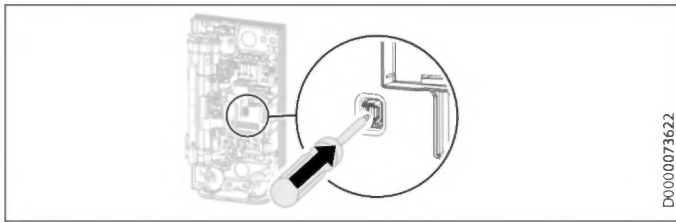
- ▶ Выбранную мощность отметить на заводской табличке крестиком. Для этого использовать шариковую ручку.



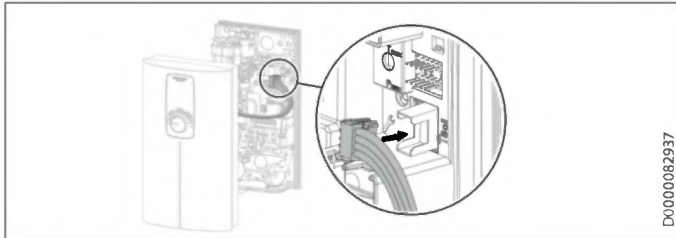
- ▶ Не менее 15 раз в течение 3 минут открывать и закрывать все подключенные раздаточные краны до тех пор, пока из водопроводной сети и прибора не выйдет весь воздух. Удалять воздух из линии подачи холодной воды и прибора при проточном расходе не менее 3,5 л/мин.
- ▶ Выполнить проверку герметичности.

УСТАНОВКА

Вывод из эксплуатации



- ▶ Включить предохранительный выключатель, плотно вдавив кнопку сброса (при поставке прибора функция предохранительного выключателя неактивна).

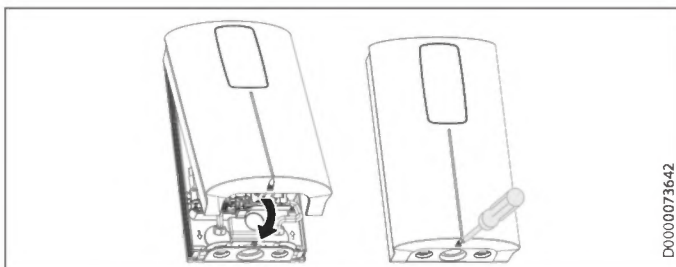


- ▶ Подключить кабель пульта управления к электронному блоку.



Указание

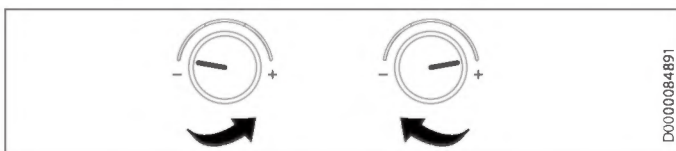
Кабель пульта управления необходимо подключить к электронному блоку до подачи напряжения. Иначе пульт управления не будет работать.



- ▶ Зацепить крышку прибора сверху сзади за заднюю стенку прибора. Опустить крышку прибора. Проверить плотность посадки крышки прибора вверху и внизу.
- ▶ Закрепить крышку прибора с помощью винта.
- ▶ Снять защитную пленку с интерфейса пользователя.



- ▶ Включить электропитание.
- ▶ Удостовериться, что пульт управления работает должным образом.



- ▶ Повернуть ручку регулятора температуры влево, а затем вправо до упора.

10.3.1 Передача устройства

- ▶ Объяснить пользователю принцип работы устройства и ознакомить его с правилами использования устройства.
- ▶ Указать пользователю на возможные опасности, особенно на опасность обваривания.
- ▶ Передать данное руководство.

10.4 Повторный ввод в эксплуатацию



Материальный ущерб

Чтобы избежать повреждения нагревательной системы с открытым нагревательным элементом, в случае нарушения водоснабжения следует выполнить описанную ниже процедуру повторного ввода прибора в эксплуатацию.

- ▶ Обесточить прибор, отключив предохранители.
- ▶ Удалить воздух из прибора и трубопровода подачи холодной воды (см. главу «Ввод в эксплуатацию / Первый ввод в эксплуатацию»).
- ▶ Вновь включить электропитание.

11. Вывод из эксплуатации

- ▶ Полностью обесточить прибор с размыканием контактов на всех полюсах.
- ▶ Опорожнить прибор (см. главу «Техобслуживание / Опорожнение прибора»).

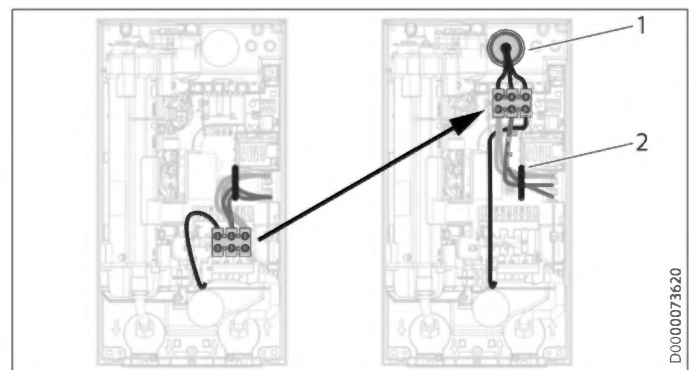
12. Варианты монтажа



ПРЕДУПРЕЖДЕНИЕ поражение электрическим током

При любых работах необходимо полное отключение прибора от сети.

12.1 Электроподключение скрытое, сверху



- 1 Кабельная втулка
- 2 Направляющая для кабеля

- ▶ Выломать необходимое проходное отверстие для кабеля питания на задней стенке прибора (расположение см. в главе «Технические характеристики / Размеры и соединения»). Острые кромки зачистить напильником.

- ▶ Вырезать в кабельной втулке отверстие согласно выбранному соединительному проводу. Смонтировать кабельную втулку.
- ▶ Переместить соединительную клемму снизу вверх. Для этого снять фиксацию соединительной клеммы, с силой сдвинув ее влево и вытянув вперед. Повернуть соединительную клемму с кабелями на 180° по часовой стрелке. Пропустить внутреннюю проводку под направляющую для кабеля. Зафиксировать соединительную клемму, вдавив ее и сдвинув влево до фиксации.
- ▶ Смонтировать прибор и присоединить кабель питания к соединительной клемме, как описано в главе «Монтаж / Стандартный открытый монтаж».

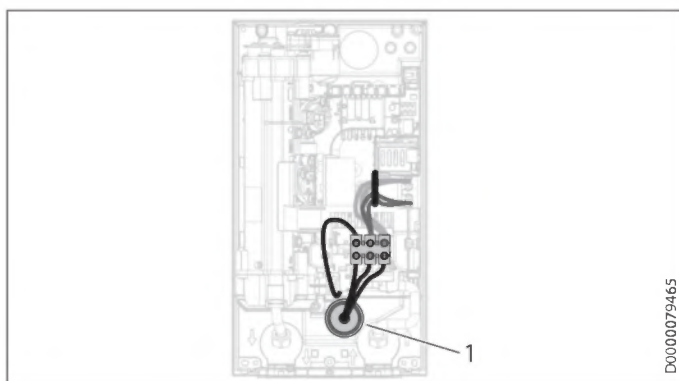


Указание

Снятие верхней соединительной клеммы, расположенной сверху:

- ▶ с помощью отвертки разблокировать фиксатор с правой стороны.

12.2 Электроподключение снизу при скрытой проводке

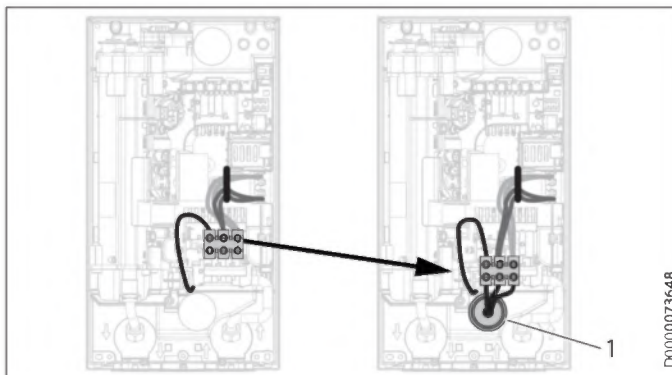


1 Кабельная втулка

- ▶ Выломать необходимое проходное отверстие для кабеля питания на задней стенке прибора (расположение см. в главе «Технические характеристики / Размеры и соединения»). Острые кромки зачистить напильником.
- ▶ Вырезать в кабельной втулке отверстие согласно выбранному соединительному проводу. Смонтировать кабельную втулку.
- ▶ Смонтировать прибор и присоединить кабель питания к соединительной клемме, как описано в главе «Монтаж / Стандартный открытый монтаж».

12.3 Подключение к системе электроснабжения при коротком кабеле питания

Если кабель питания короткий, соединительную клемму прибора можно смонтировать ближе к проходному отверстию.



1 Кабельная втулка

- ▶ Переместить соединительную клемму сети сверху вниз. Для этого снять фиксацию соединительной клеммы, с силой сдвинув ее влево и вытянув вперед. Зафиксировать соединительную клемму внизу, вдавив ее и сдвинув влево до фиксации.

12.4 Боковое электроподключение при открытом монтаже

- ▶ Выпилить и выломать необходимое проходное отверстие для кабеля питания на задней стенке прибора и крышке прибора (расположение см. в главе «Технические характеристики / Размеры и соединения»). Острые кромки зачистить напильником.
- ▶ Смонтировать прибор и присоединить кабель питания к соединительной клемме, как описано в главе «Монтаж / Стандартный открытый монтаж».

12.5 Скрытый монтаж водопровода

Для монтажа требуются соответствующие принадлежности. Монтажный набор «Скрытый монтаж водопровода» содержит такие элементы:

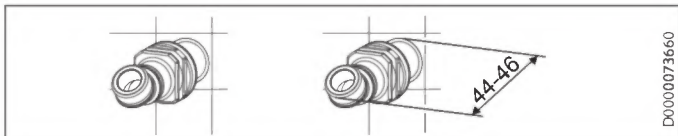
- 2 втулки для уплотнения отверстий в задней стенке прибора.
- Сетчатый фильтр для установки в 45-градусный двойной ниппель.
- Плоское уплотнение

Поэтому потребуется ограничитель расхода из комплекта поставки прибора.

УСТАНОВКА

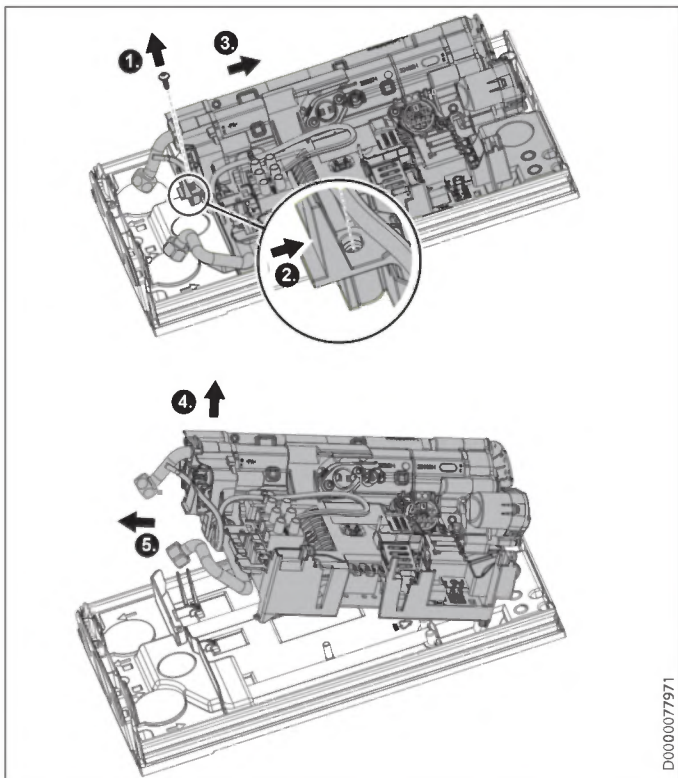
Варианты монтажа

Подготовительные мероприятия

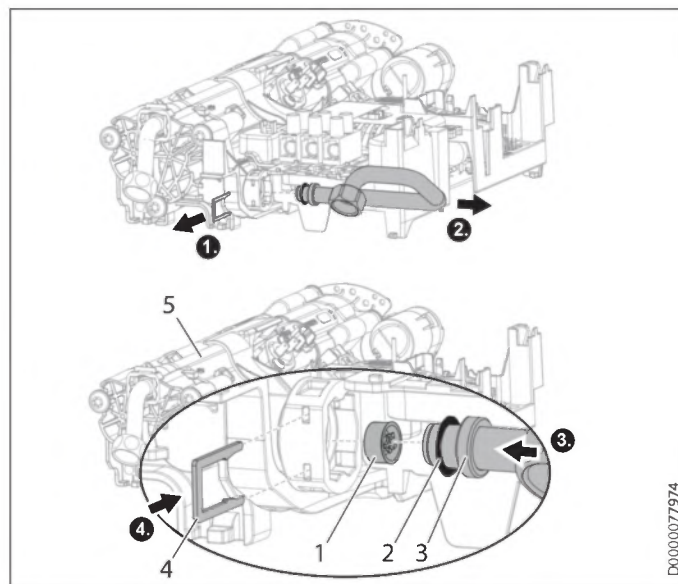


- ▶ Поставить прокладку и ввинтить 45-градусный двойной ниппель.

Для пробивания проходов в задней стенке прибора необходимо демонтировать функциональный блок из задней стенки прибора.



- ▶ Выкрутить винт и разблокировать крючки-фиксаторы.
- ▶ Слегка подвинуть функциональный блок в задней стенке прибора вниз.
- ▶ Поднять функциональный блок из задней стенки прибора и слегка потянуть вперед, чтобы извлечь его.
- ▶ Выбить/выломать необходимые проходные отверстия для подвода воды на задней стенке прибора (расположение см. в главе «Технические характеристики / Размеры и соединения»). Острые кромки зачистить напильником.



- 1 Ограничитель расхода
- 2 Уплотнительное кольцо
- 3 Колено трубы холодной воды с выступом для стопорной скобы
- 4 Стопорная скоба
- 5 Нагрев

- ▶ Демонтировать колено трубы холодной воды и уплотнительное кольцо.
- ▶ Смонтировать ограничитель расхода (из комплекта поставки прибора) в подвод холодной воды нагревателя. Соблюдать пространственную ориентацию.
- ▶ Смонтировать колено трубы холодной воды с уплотнительным кольцом.



Материальный ущерб

Уплотнительное кольцо необходимо для обеспечения герметичности прибора.

- ▶ При установке следует проверить наличие уплотнительного кольца.

- ▶ Закрепить колено трубы холодной воды с помощью стопорной скобы.

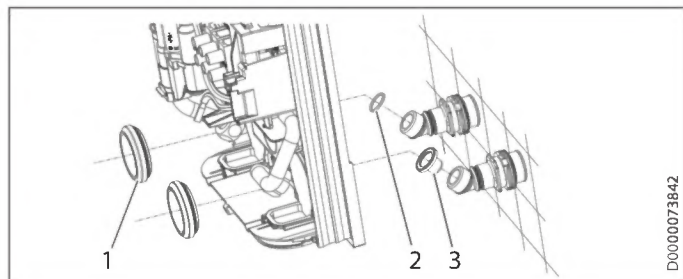


Материальный ущерб

Проследить, чтобы стопорная скоба разместилась за выступом колена трубы и фиксировала колено трубы в правильном положении.

- ▶ Установить функциональный блок в заднюю стенку прибора в обратной последовательности и защелкнуть в фиксаторах.
- ▶ Закрепить функциональный блок с помощью винта.

Монтаж прибора



- 1 Втулки
 - 2 Плоское уплотнение
 - 3 Сетчатый фильтр с уплотнительной кромкой
- ▶ Отметить 2 точки сверления в зоне верхней части задней стенки прибора, используя заднюю стенку прибора.
 - ▶ Смонтировать втулки с передней стороны в заднюю стенку прибора.
 - ▶ Просверлить отверстия и закрепить прибор подходящим крепежным материалом (винты и дюбели не входят в комплект поставки): винт с потайной головкой диаметром 4,5 мм, макс. диаметр головки – 9 мм.



Указание

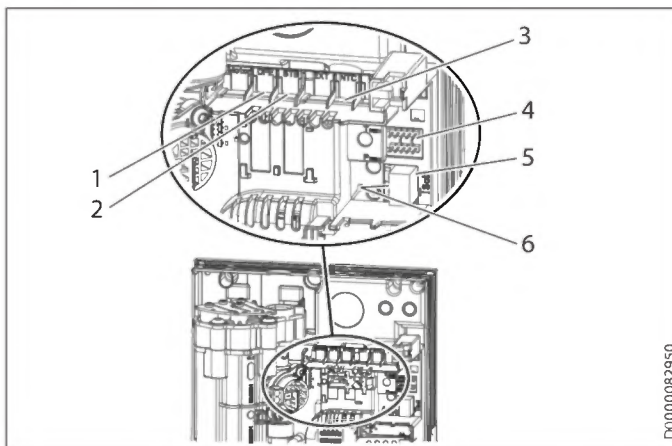
- ▶ Монтировать прибор следует вровень со стеной. При необходимости дополнительно закрепить прибор в двух нижних точках крепления. Выбить/выдавить на задней стенке прибора нижние продольные отверстия (расстояние 175 мм) (позиции см. в главе «Технические характеристики / Размеры и соединения»).
- ▶ Удалить транспортные заглушки из патрубков для подключения воды.
- ▶ Привинтить соединительный патрубок горячей воды с плоским уплотнением и подвод холодной воды, оснащенный сетчатым фильтром с уплотнительной кромкой (из комплекта принадлежностей) к двойным ниппелям.

12.6 Работа с предварительно подогретой водой

При установке центрального термостатического смесителя максимальная температура подаваемой воды ограничивается.

13. Сервисная информация

Обзор соединений / обзор компонентов



- 1 Регистрация расхода
- 2 Предохранительный ограничитель температуры с автосбросом
- 3 Датчик NTC
- 4 Контактные панели для установки мощности и защиты от обваривания
- 5 Позиция подключения пульта управления
- 6 Диагностический светодиодный индикатор

14. Поиск и устранение неисправностей



ПРЕДУПРЕЖДЕНИЕ поражение электрическим током
Для проверки прибора требуется включить электропитание.



Указание
Проверять прибор с помощью диагностического индикатора следует при расходе воды.

Индикация диагностического светодиодного индикатора (LED)

●○○	красный	горит при неисправности
○●○	желтый	светится при режиме нагрева / мигает при достижении предела мощности
○○●	зеленый	мигает: прибор подключен к сети

Диагностический индикатор (режим отбора воды)	Неисправность	Причина	Способ устранения
Светодиоды не горят	Прибор не нагревается	Отсутствует одна или несколько фаз сетевого напряжения Неисправен электронный блок	Проверить главный предохранитель домашней электросети Заменить функциональную группу
Зеленый мигает, желтый и красный выключены	Отсутствует горячая вода	Объем, необходимый для включения устройства, не достигнут; известковые отложения в душевой лейке или регуляторе струи Объем, необходимый для включения устройства, не достигнут, загрязнен сетчатый фильтр на линии подвода холодной воды Не установлена система регистрации расхода	Заменить или очистить от известковых отложений душевую лейку / регулятор струи Очистить сетчатый фильтр
Зеленый мигает, желтый горит, красный выключен	Нет горячей воды, температура на выходе не соответствует заданной	Загрязнена или неисправна система регистрации расхода	Проверить или отрегулировать штекерный разъем Заменить систему регистрации расхода
		Неисправен электронный блок	Заменить функциональную группу
		Неисправность смесителя	Заменить смеситель
Зеленый мигает, желтый выключен, красный горит	Нет горячей воды, температура на выходе не соответствует заданной	После включения сетевого напряжения пульт управления подключился к электронному модулю	Выключить и снова включить предохранители в домашней электросети
		Неисправность выходного датчика	Заменить выходной датчик
		Неисправность нагревательной системы	Заменить функциональную группу
		Неисправен электронный блок	Заменить функциональную группу
		Сработала система обнаружения воздуха	Продолжить отбор в течение > 1 мин
		Предохранительный выключатель при первом вводе в эксплуатацию не активирован	Активировать предохранительный выключатель, нажав и удерживая клавишу сброса
		Предохранительный выключатель приведен в действие предохранительным ограничителем температуры	Проверить предохранительный ограничитель температуры (штекерное соединение, соединительный кабель), включить предохранительный выключатель
Если предохранительный выключатель срабатывает снова, предохранительный выключатель неисправен	Заменить предохранительный ограничитель температуры, активировать предохранительный выключатель и установить максимальное заданное значение отбора > 1 мин		
Если предохранительный выключатель по-прежнему срабатывает, неисправен электронный модуль	Заменить функциональную группу		
Короткое замыкание выходного датчика	Проверить, при необходимости заменить входной датчик		
Неисправен электронный блок	Заменить функциональную группу		

15. Техническое обслуживание



ПРЕДУПРЕЖДЕНИЕ поражение электрическим током
При любых работах необходимо полное отключение прибора от сети.
В этом приборе имеются конденсаторы, которые разряжаются после отключения от сети электропитания. Напряжение разряда конденсатора может в ряде случаев кратковременно составлять > 60 В пост. тока.

15.1 Опорожнение прибора

Для проведения работ по техническому обслуживанию воду из прибора можно слить.



ПРЕДУПРЕЖДЕНИЕ ожог
Из опорожняемого прибора может вытекать горячая вода.

- ▶ Закрыть запорный клапан в трубопроводе подачи холодной воды.
- ▶ Открыть все раздаточные краны.
- ▶ Отсоединить трубопроводы подачи воды от прибора.
- ▶ Хранить демонтированный прибор в отапливаемом помещении, поскольку в приборе всегда находятся остатки воды, которые могут замерзнуть и повредить его.

15.2 Очистить сетчатый фильтр



ПРЕДУПРЕЖДЕНИЕ ожог
Из опорожняемого прибора может вытекать горячая вода.



Материальный ущерб
Чтобы избежать повреждения нагревательной системы с открытым нагревательным элементом, в случае нарушения водоснабжения следует выполнить описанную ниже процедуру повторного ввода прибора в эксплуатацию.

- ▶ Обесточить прибор, отключив предохранители.
- ▶ Удалить воздух из прибора и трубопровода подачи холодной воды (см. главу «Ввод в эксплуатацию / Первый ввод в эксплуатацию»).
- ▶ Вновь включить электропитание.

Необходимо регулярно чистить сетчатый фильтр в штуцере холодной воды.

15.2.1 Очистка сетчатого фильтра, стандартный открытый монтаж

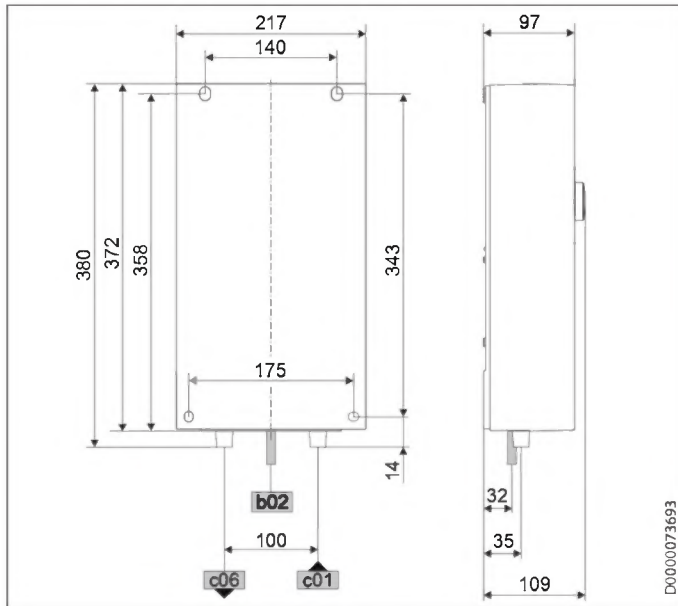
- ▶ Отключить прибор от сети.
- ▶ Закрыть запорный клапан в трубопроводе подачи холодной воды.
- ▶ Открыть все раздаточные краны.
- ▶ Снять резьбовой штуцер холодной воды.
- ▶ Извлечь сетчатый фильтр из двойного ниппеля, используя шлицевую отвертку. Очистить сетчатый фильтр.
- ▶ Снова вставить сетчатый фильтр. Прикрутить штуцер холодной воды к двойному ниппелю.
- ▶ Открыть запорный кран на линии подачи холодной воды.
- ▶ Удалить воздух из прибора и трубопровода подачи холодной воды (см. главу «Ввод в эксплуатацию / Первый ввод в эксплуатацию»).
- ▶ Включить электропитание.

15.2.2 Очистка сетчатого фильтра, скрытый монтаж водопровода

- ▶ Отключить прибор от сети.
- ▶ Закрыть запорный клапан в трубопроводе подачи холодной воды.
- ▶ Открыть все раздаточные краны.
- ▶ Открыть прибор, отпустив винт и откинув крышку прибора.
- ▶ Открутить штуцер холодной воды от двойного ниппеля. Повернуть штуцер холодной воды вверх.
- ▶ Извлечь сетчатый фильтр из двойного ниппеля. Очистить сетчатый фильтр.
- ▶ Прикрутить штуцер холодной воды вместе с сетчатым фильтром и прокладочным кольцом к двойному ниппелю.
- ▶ Открыть запорный кран на линии подачи холодной воды.
- ▶ Удалить воздух из прибора и трубопровода подачи холодной воды (см. главу «Ввод в эксплуатацию / Первый ввод в эксплуатацию»).
- ▶ Проверить герметичность штуцера холодной воды.
- ▶ Зацепить крышку прибора сверху сзади за заднюю стенку прибора. Опустить крышку прибора. Проверить плотность посадки крышки прибора вверху и внизу. Закрепить крышку прибора с помощью винта.
- ▶ Включить электропитание.

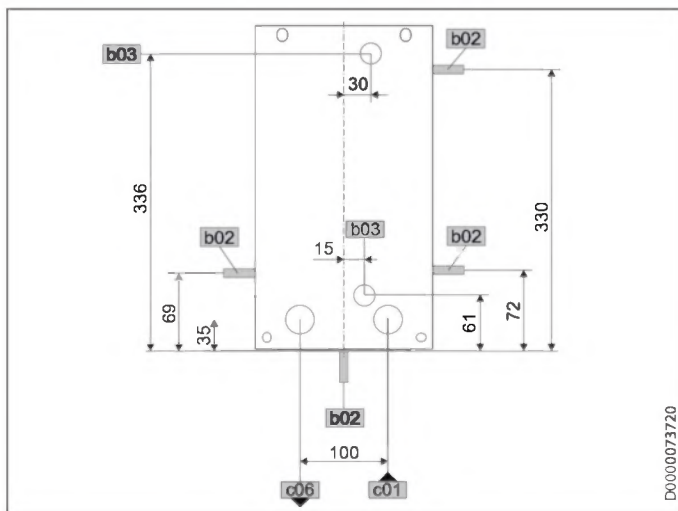
16. Технические характеристики

16.1 Размеры и соединения



		DCE-S Plus
b02	Кабельный ввод для электропроводки I	Открытый монтаж
c01	Подача холодной воды	Наружная резьба G 1/2 A
c06	Выпуск горячей воды	Наружная резьба G 1/2 A

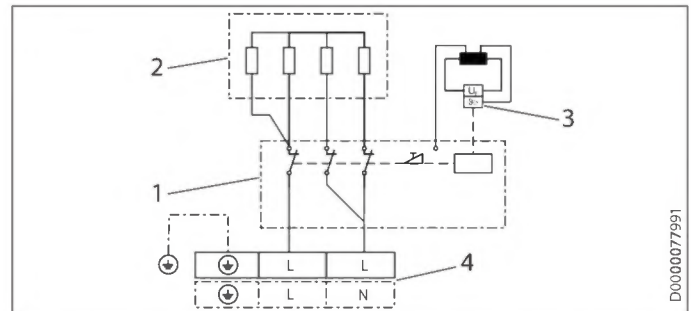
Варианты подключения



		DCE-S Plus
b02	Кабельный ввод для электропроводки I	Открытый монтаж
b03	Кабельный ввод для электропроводки II	Скрытый монтаж
c01	Подача холодной воды	Наружная резьба G 1/2 A
c06	Выпуск горячей воды	Наружная резьба G 1/2 A

16.2 Электрическая схема

DCE-S Plus	
	2/GRD ~ 220–240 В
	1/N/PE ~ 220–240 В



- 1 Силовая электроника со встроенным предохранительным выключателем
- 2 Нагревательная система со спиральным элементом
- 3 Предохранительный ограничитель температуры
- 4 Клемма подключения к сети

16.3 Производительность по горячей воде

Производительность по горячей воде зависит от напряжения в сети, потребляемой мощности прибора и температуры холодной воды на входе. Номинальное напряжение и номинальная мощность указаны на заводской табличке.

Потребляемая мощность, кВт	Производительность по горячей воде (38 °C) л/мин.						
	Номинальное напряжение	Температура холодной воды на входе					
	220 В	230 В	240 В	5 °C	10 °C	15 °C	20 °C
DCE-S 6/8 Plus							
6,0				2,6	3,1	3,7	4,8
8,0				3,5	4,1	5,0	6,3
		6,6		2,9	3,4	4,1	5,2
		8,7		3,8	4,4	5,4	6,9
			7,2	3,1	3,7	4,5	5,7
			9,6	4,2	4,9	6,0	7,6
DCE-S 10/12 Plus							
10,0				4,3	5,1	6,2	7,9
12,0				5,2	6,1	7,5	9,5
		11,0		4,8	5,6	6,8	8,7
		13,1		5,7	6,7	8,1	10,4
			12,0	5,2	6,1	7,5	9,5
			14,3	6,2	7,3	8,9	11,3

Потребляемая мощность, кВт	Производительность по горячей воде (50 °C) л/мин.						
	Номинальное напряжение	Температура холодной воды на входе					
	220 В	230 В	240 В	5 °C	10 °C	15 °C	20 °C
DCE-S 6/8 Plus							
6,0				1,9	2,1	2,4	2,9
8,0				2,5	2,9	3,3	3,8
		6,6		2,1	2,4	2,7	3,1
		8,7		2,8	3,1	3,6	4,1
			7,2	2,3	2,6	2,9	3,4
			9,6	3,0	3,4	3,9	4,6
DCE-S 10/12 Plus							
10,0				3,2	3,6	4,1	4,8
12,0				3,8	4,3	4,9	5,7
		11,0		3,5	3,9	4,5	5,2
		13,1		4,2	4,7	5,3	6,2
			12,0	3,8	4,3	4,9	5,7
			14,3	4,5	5,1	5,8	6,8

16.4 Рабочие диапазоны / Таблица пересчета данных

Удельное электрическое сопротивление и удельная электропроводность.

Стандартные данные при 15 °C			20 °C			25 °C		
Сопротивление $\rho \geq$	Электропроводность $\sigma \leq$	Ом·см / мСм/м / мкСм/см	Сопротивление $\rho \geq$	Электропроводность $\sigma \leq$	Ом·см / мСм/м / мкСм/см	Сопротивление $\rho \geq$	Электропроводность $\sigma \leq$	Ом·см / мСм/м / мкСм/см
1100	91	910	970	103	1031	895	112	1117

16.5 Потери давления

Смесители

Потеря давления на смесителях при объемном расходе 10 л/мин		
Однорычажный смеситель, прикл.	МПа	0,04 - 0,08
Термостатический смеситель, прикл.	МПа	0,03 - 0,05
Душевая лейка, прикл.	МПа	0,03 - 0,15

Расчет параметров трубопроводной сети

При расчете параметров трубопроводной сети для прибора рекомендуется задать потерю давления 0,1 МПа.

16.6 Возможные неисправности

При неисправности в водопроводной системе могут возникнуть кратковременные нагрузки, сопровождаемые повышением температуры до 80 °C и давления до 1,0 МПа.

16.7 Характеристики энергопотребления

Технические характеристики изделия: Бытовой водонагреватель (в соответствии с регламентом EC № 812/2013 | 814/2013)

		DCE-S 6/8 Plus 238153	DCE-S 10/12 Plus 238154
Производитель		STIEBEL ELTRON	STIEBEL ELTRON
Профиль нагрузки		XS	XS
Класс энергоэффективности		A	A
Энергетический КПД	%	39	39
Годовое потребление электроэнергии	кВт*ч	472	474
Заводская настройка температуры	°C	60	60
Уровень звуковой мощности	дБ(A)	15	15
Особые указания по измерению эффективности		Измерено при установленном ограничителе расхода, максимальной мощности и максимальном заданном значении	Измерено при установленном ограничителе расхода, максимальной мощности и максимальном заданном значении
Суточное потребление электроэнергии	кВт*ч	2,161	2,174

16.8 Таблица параметров

		DCE-S 6/8 Plus			DCE-S 10/12 Plus		
		238153			238154		
Электрические характеристики							
Номинальное напряжение	V	220	230	240	220	230	240
Номинальная мощность	кВт	6,0/8,0	6,6/8,7	7,2/9,6	10,0/12,0	11,0/13,1	12,0/14,3
Номинальный ток	A	27,3/36,4	28,5/38,0	30,0/40,0	45,5/54,5	47,8/57,0	50,0/59,6
Предохранитель	A	30/40			50/60		
Частота	Гц	50/60			50/60		
Фазы		1/N/PE			1/N/PE		
Удельное сопротивление $\rho_{15} \geq$	Ом·см	1100			1100		
Удельная электропроводность $\sigma_{15} \leq$	мкСм/см	910			910		
Макс. полное сопротивление сети при 50 Гц	Ом	0,0385	0,0368	0,0353	0,0257	0,0245	0,0235
Соединения							
Подключение к водопроводу		G 1/2 A			G 1/2 A		
Пределы рабочего диапазона							
Минимальное давление подачи	МПа	0,18 (1,8 бар / 26 psi)			0,18 (1,8 бар / 26 psi)		
Макс. допустимое давление	МПа	1 (10 бар / 150 psi)			1 (10 бар / 150 psi)		
Макс. значение температуры подачи для догрева	°C	55			55		
Диапазон регулировки температуры	°C	20-60			20-60		
Параметры							
Макс. температура на входе (например, термическая дезинфекция)	°C	70			70		
Вкл	л/мин	1,3			1,3		
Объемный расход при 28 К	л/мин	3,1/4,1 при 220 В			5,1/6,2 при 220 В		
Объемный расход при 50 К	л/мин	1,7/2,3 при 220 В			2,9/3,5 при 220 В		
Потеря давления для объемного расхода при 50 К (без ограничителя объемного расхода)	МПа	0,01/0,01			0,02/0,03		
Ограничение объемного расхода при	л/мин	4			5		
Гидравлические характеристики							
Номинальная емкость	л	0,277			0,277		
Модификации							
Способ монтажа		Установка над/под раковиной, точкой разбора			Установка над/под раковиной, точкой разбора		
Выбор мощности подключения		X			X		
Класс защиты		1			1		
Изолирующий блок		Пластмасса			Пластмасса		
Генератор тепла системы отопления		Открытый нагревательный элемент			Открытый нагревательный элемент		
Крышка и задняя панель		Пластмасса			Пластмасса		
Цвет		белый			белый		
Степень защиты (IP)		IP25			IP25		
Размеры							
Высота	мм	372			372		
Ширина	мм	217			217		
Глубина	мм	109			109		
Вес							
Вес	кг	2,5			2,5		

**Указание**

Прибор соответствует требованиям стандарта IEC 61000-3-12.

Серийный номер на шильдике прибора содержит дату изготовления прибора.

Серийный номер имеет следующую структуру: 6-значный артикул прибора - 4-значная дата производства- 6-значный порядковый номер.

4-значная дата производства расшифровывается так:

- Первые две цифры плюс 25 - это год изготовления прибора (2 цифры), то есть 94+25 -> для 2019, 93+25 -> для 2018 и так далее;
- Последние две цифры минус 25 -это календарная неделя изготовления прибора.

Например, 4-значная дата производства 9440 соответствует 15 неделе в 2019 году.

Изготовитель:

«Штибель Эльтрон ГмбХ & Ко. КГ»
Адрес: Др. -Штибель-Штрассе 33,
37603, Хольцминден, Германия
Тел. 05531 702-0 | Факс 05531 702-480
info@stiebel-eltron.de
www.stiebel-eltron.de

Сделано в Германии

Импортер в РФ:

ООО «Штибель Эльтрон»
Адрес: ул. Уржумская, д.4, стр. 2
129343, г. Москва, Россия
Тел. +7 495 125 0 125 | Факс: +7 495 775 38 87
info@stiebel-eltron.ru
www.stiebel-eltron.ru

Гарантия

Приборы, приобретенные за пределами Германии, не подпадают под условия гарантии немецких компаний. К тому же в странах, где продажу нашей продукции осуществляет одна из наших дочерних компаний, гарантия предоставляется исключительно этой дочерней компанией. Такая гарантия предоставляется только в случае, если дочерней компанией изданы собственные условия гарантии. За пределами этих условий никакая гарантия не предоставляется.

На приборы, приобретенные в странах, где ни одна из наших дочерних компаний не осуществляет продажу нашей продукции, никакие гарантии не распространяются. Это не затрагивает гарантий, которые могут предоставляться импортером.

Защита окружающей среды и утилизация

Внесите свой вклад в охрану окружающей среды. Утилизацию использованных материалов следует производить в соответствии с национальными нормами.

ДЛЯ ЗАМЕТОК

الضمان

لا تسري شروط الضمان الخاصة بشركائنا داخل ألمانيا على الأجهزة المصدرة إلى خارج ألمانيا. في الدول التي تباع فيها منتجاتنا من قبل فروعنا، يكون الضمان الساري على الأجهزة هو الضمان الذي توفره هذه الفروع. وهذا الضمان لا يعتد به إلا إذا وضع فرع الشركة شروط الضمان الخاصة به. لا يتم الحصول على أية ضمانات أخرى.

نحن لا نوفر أية ضمانات على الأجهزة المصدرة إلى دول لا نمتلك بها فروعاً للشركة. هذا الأمر لا يمس الضمان الذي يوفره المستورد على الإطلاق.

البيئة وإعادة التدوير

نرجو منك المساعدة في الحفاظ على البيئة. بعد الاستخدام، يرجى التخلص من المواد المختلفة وفقاً للوائح المحلية المتبعة.

16.7 بيانات استهلاك الطاقة

صحيفة بيانات المنتج: سخانات مياه تقليدية وفقاً لتوجيه الاتحاد الأوروبي رقم 814/2013 | 812/2013

DCE-S 10/12 Plus 238154	DCE-S 6/8 Plus 238153		
STIEBEL ELTRON	STIEBEL ELTRON		
XS	XS		المصنّع
A	A		منحنى تغير الحمل
39	39	%	فئة كفاءة الطاقة
474	472	كيلووات/ساعة	درجة فعالية الطاقة
60	60	م	الاستهلاك السنوي للطاقة
15	15	ديسبيل (أمبير)	ضبط درجة الحرارة من المصنّع
مقاس بجهاز DMB والحد الأقصى للقدرة والحد الأقصى للقيمة المرجعية	مقاس بجهاز DMB والحد الأقصى للقدرة والحد الأقصى للقيمة المرجعية		مستوى شدة الصوت
2.174	2.161	كيلووات/ساعة	إرشادات خاصة لقياس الفعالية
			الاستهلاك اليومي للتيار الكهربائي

16.8 جدول البيانات

DCE-S 10/12 Plus 238154	DCE-S 6/8 Plus 238153		
240	230	220	240
12.0/14.3	11.0/13.1	10.0/12.0	7.2/9.6
50.0/59.6	47.8/57.0	45.5/54.5	30.0/40.0
50/60	50/60	50/60	28.5/38.0
1/N/PE	1/N/PE	1/N/PE	27.3/36.4
1100	1100	1100	
910	910	910	
0.0235	0.0245	0.0257	0.0353
			0.0368
			0.0385
G 1/2 A	G 1/2 A	G 1/2 A	
0.18	0.18	0.18	
1	1	1	
55	55	55	
60-20	60-20	60-20	
70	70	70	
1.3	1.3	1.3	
5.1/6.2	3.1/4.1	3.1/4.1	
2.9/3.5	1.7/2.3	1.7/2.3	
0.02/0.03	0.1/0.1	0.1/0.1	
5	4	4	
0.277	0.277	0.277	
المعلق/على الأرضية	المعلق/على الأرضية	المعلق/على الأرضية	
X	X	X	
1	1	1	
بلاستيك	بلاستيك	بلاستيك	
سلك عاز	سلك عاز	سلك عاز	
بلاستيك	بلاستيك	بلاستيك	
أبيض	أبيض	أبيض	
IP 25	IP 25	IP 25	
372	372	372	
217	217	217	
109	109	109	
2.5	2.5	2.5	

ملحوظة

الجهاز يتوافق مع معايير DIN 61000-3-12



16.4 مجالات الاستخدام / جدول التحويل

المقاومة الكهربائية المحددة وقابلية التوصيل الكهربائية المحددة.

القيمة المعيارية عند		20 م		25 م	
المقاومة	قدرة التوصيل σ	المقاومة	قدرة التوصيل σ	المقاومة	قدرة التوصيل σ
أوم سم	ملي سيمنز / متر	أوم سم	ملي سيمنز / متر	أوم سم	ملي سيمنز / متر
1100	91	970	103	895	112
1117	91	1031	103	895	112

16.5 فقدان الضغط

الصنابير

فقدان الضغط للصنابير مع كمية تيار 10 لتر/دقيقة	
0.08 - 0.04	ميجاباسكال
0.05 - 0.03	ميجاباسكال
0.15 - 0.03	ميجاباسكال

أبعاد شبكة الأنابيب

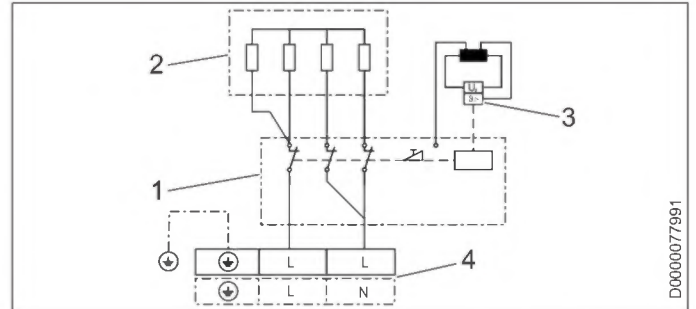
لحساب أبعاد شبكة الأنابيب يُنصح بفقدان ضغط يبلغ 0.1 ميجاباسكال من أجل الجهاز.

16.6 عواقب الأعطال

في التركيب يمكن في حالة الخلل أن تظراً أحمال تبلغ بحد أقصى 80 م مع ضغط يبلغ 1.0 ميجاباسكال.

16.2 مخطط التوصيل الكهربائي

DCE-S Plus	
240 فولت ~ 2/GRD	LL
240 فولت ~ 1/N/PE	LN



- 1 إلكترونيات قدرة مع قاطع دائرة أمان مدمج
- 2 نظام التسخين بالسلك العاري
- 3 محدد أمان درجة الحرارة
- 4 طرف التوصيل بالشبكة الكهربائية

16.3 وصلة الماء الساخن

وصلة الماء الساخن مرتبطة بالإمداد الحالي بالجهد وقدرة التوصيل للجهاز ودرجة حرارة الماء البارد الداخل. يمكنك معرفة الجهد الاسمي والقدرة الاسمية من لوحة البيانات.

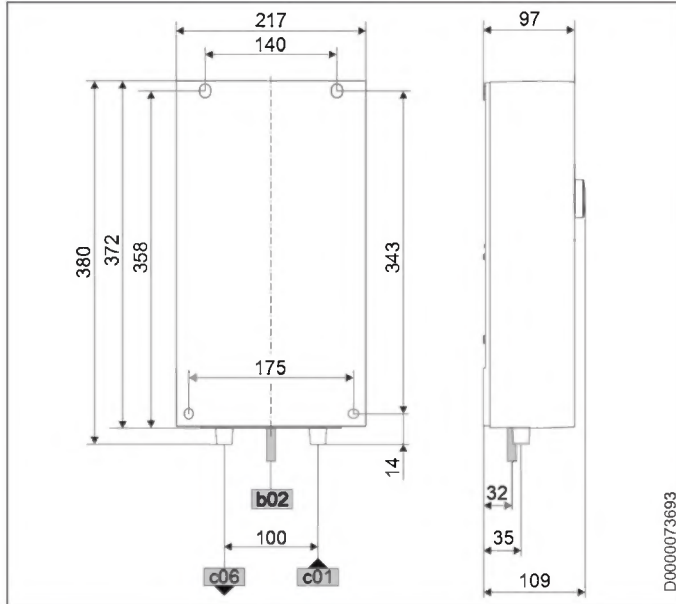
قدرة التوصيل بالكيلوواط				
قدرة ماء ساخن بدرجة 38 م° بالتر/دقيقة.				
الجهد الكهربائي				
درجة حرارة دخل الماء البارد				
220 فولت	230 فولت	240 فولت	5 م	10 م
DCE-S 6/8 Plus				
6.0	6.6	7.2	2.6	3.1
8.0	8.7	9.6	3.5	4.1
6.3	6.6	7.2	4.1	4.9
5.2	6.6	7.2	4.4	5.1
6.9	8.7	9.6	4.4	5.1
5.7	6.6	7.2	4.5	5.1
7.6	8.7	9.6	4.9	5.1
DCE-S 10/12 Plus				
10.0	11.0	12.0	4.3	5.1
12.0	13.1	14.3	5.2	6.1
9.5	11.0	12.0	5.2	6.1
8.7	11.0	12.0	4.8	5.6
10.4	13.1	14.3	5.7	6.7
9.5	11.0	12.0	5.2	6.1
11.3	13.1	14.3	6.2	7.3

قدرة التوصيل بالكيلوواط				
قدرة ماء ساخن بدرجة 50 م° بالتر/دقيقة.				
الجهد الكهربائي				
درجة حرارة دخل الماء البارد				
220 فولت	230 فولت	240 فولت	5 م	10 م
DCE-S 6/8 Plus				
6.0	6.6	7.2	1.9	2.1
8.0	8.7	9.6	2.5	2.9
3.8	4.1	4.6	2.5	2.9
3.1	4.1	4.6	2.1	2.4
4.1	4.6	5.1	2.8	3.1
3.4	4.1	4.6	2.3	2.6
4.6	5.1	5.6	3.0	3.4
DCE-S 10/12 Plus				
10.0	11.0	12.0	3.2	3.6
12.0	13.1	14.3	3.8	4.3
5.7	6.2	6.6	3.8	4.3
6.2	6.6	7.2	4.2	4.7
5.7	6.2	6.6	3.8	4.3
6.8	7.2	7.6	4.5	5.1

16. المواصفات الفنية

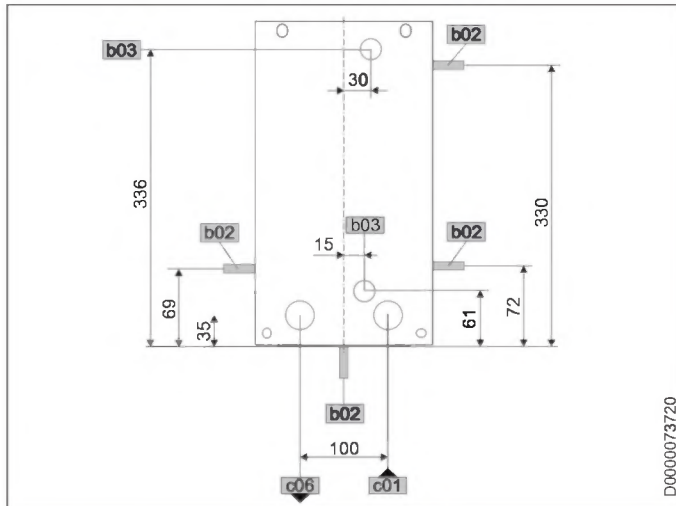
15.2 تنظيف المصفاة

16.1 المقاييس والتوصيلات



DCE-S Plus	مكتشف	b02
G 1/2 A	القلاووظ الخارجي	تمديد الأسلاك الكهربائية I
G 1/2 A	القلاووظ الخارجي	c01
		منخل الماء البارد
		c06
		مخرج الماء الساخن

إمكانيات التوصيل البديلة



DCE-S Plus	مكتشف	b02
	مخف <td>تمديد الأسلاك الكهربائية II </td>	تمديد الأسلاك الكهربائية II
G 1/2 A	القلاووظ الخارجي	c01
G 1/2 A	القلاووظ الخارجي	c06
		منخل الماء البارد
		مخرج الماء الساخن

تحذير الحروق
عندما تقوم بتفريغ الجهاز، قد يخرج ماء ساخن.



الأضرار المادية



- حتى لا يتلف نظام التسخين بالسلك العاري بعد انقطاع التغذية بالماء، يجب إعادة تشغيل الجهاز باتباع الخطوات التالية.
- أفصل الجهاز عن التيار، من خلال إيقاف المصاهر.
- قم بتفريغ الهواء من الجهاز ومن وصلة الماء البارد (انظر فصل "التشغيل / التشغيل الأولي").
- قم بتشغيل الإمداد بالجهد الكهربائي مرة أخرى.

يجب تنظيف المصفاة الموجودة في وصلة الماء البارد المزودة ببرغي بانتظام.

15.2.1 تنظيف المصفاة، التركيب القياسي المكشوف

- شغل الجهاز دون أي فولتية كهربائية.
- أغلق صمام الإيقاف في وصلة الماء البارد.
- افتح جميع صمامات المأخذ.
- قم بفك وصلة الماء البارد المزودة ببرغي.
- قم بإزالة المصفاة من وصلة المواسير المزدوجة باستخدام مفك براغ ذي شفرة مسطحة. نظف المصفاة.
- أعد تركيب المصفاة. اربط أنبوب توصيل الماء البارد بوصلة المواسير المزدوجة.
- افتح صمام الإيقاف في وصلة الإمداد بالماء البارد.
- قم بتفريغ الهواء من الجهاز ومن وصلة الماء البارد (انظر فصل "التشغيل / التشغيل الأولي").
- قم بتشغيل الإمداد بالجهد الكهربائي.

15.2.2 تنظيف المصفاة، تركيبات الماء المخفية

- شغل الجهاز دون أي فولتية كهربائية.
- أغلق صمام الإيقاف في وصلة الماء البارد.
- افتح جميع صمامات المأخذ.
- افتح الجهاز عن طريق فك البراغي وفتح غطاء الجهاز.
- قم بفك أنبوب توصيل الماء البارد من وصلة المواسير المزدوجة. قم بتحريك أنبوب توصيل الماء البارد نحو الأعلى.
- أزل المصفاة من وصلة المواسير المزدوجة. نظف المصفاة.
- قم بربط أنبوب توصيل الماء البارد بالمصفاة المزودة بحافة مانعة للتسرب في وصلة المواسير المزدوجة.
- افتح صمام الإيقاف في وصلة الإمداد بالماء البارد.
- قم بتفريغ الهواء من الجهاز ومن وصلة الماء البارد (انظر فصل "التشغيل / التشغيل الأولي").
- افحص وصلة الماء البارد من حيث عدم وجود تسريب بها.
- قم بتعليق غطاء الجهاز على الجهة العلوية بالخلف في الجدار الخلفي للجهاز.
- قم بتحريك غطاء الجهاز نحو الأسفل. افحص التثبيت المحكم لغطاء الجهاز من أعلى وأسفل. ثبت غطاء الجهاز بواسطة البرغي.
- قم بتشغيل الإمداد بالجهد الكهربائي.

14. إصلاح الأعطال



تحذير الصعق بالكهرباء
للتمكن من فحص الجهاز، يجب توافر الإمداد بالجهد في الجهاز.



ملحوظة
يجب إجراء اختبار الجهاز باستخدام إشارة التشخيص عند سريان الماء.

إمكانيات البيان للعبة التشخيص (LED)

●●●	أحمر	تضيء في حالة وجود خلل
●●○	أصفر	تضيء مع تشغيل التسخين/تومض مع بلوغ الحد الأقصى للفترة
○○○	أخضر	تومض: الجهاز موصل بالشبكة

ضوء التشخيص (تشغيل السحب)	العطل	السبب	كيفية التغلب عليه
لا توجد لمبة LED مضيئة	الجهاز لا يقوم بالتسخين	طور واحد أو أكثر من أطوار الإمداد بالفلطية الكهربائية ناقص المجموعة الإلكترونية بها عطل	افحص المصاهر في الوصلات المنزلية قم بتبديل الوحدة الوظيفية
وميض الضوء الأخضر، انطفاء الضوء الأصفر، انطفاء الضوء الأحمر	لا يوجد ماء ساخن	لم يتم الوصول لكمية تشغيل الجهاز، رأس الدش / المهبوية بها تكدسات	أزل التكدسات / جدد رأس الدش / المهبوية
		لم يتم الوصول لكمية تشغيل الجهاز، المصفاة المتراجدة في مدخل الماء البارد متسخة	تنظيف المصفاة
		جهاز رصد معدل التدفق غير موصل جهاز رصد معدل التدفق به عطل أو متسخ	افحص وصلة القابس، وضح وضعها عند اللزوم تبدل جهاز رصد معدل التدفق
		المحسب معيب	قم بتبديل الوحدة الوظيفية قم بتبديل المحسب
وميض الضوء الأخضر، الضوء الأصفر مُضيء، انطفاء الضوء الأحمر	لا يوجد ماء ساخن، درجة حرارة الماء الخارج لا تتوافق مع القيمة المستهدفة	تم توصيل وحدة التشغيل بالمجموعة الإلكترونية بعد تشغيل جهد الشبكة الكهربائية	قم بإيقاف تشغيل المصاهر في الوصلات المنزلية ثم قم بتشغيلها مرة أخرى
		مستشعر مخرج الماء به عطل نظام التسخين به عطل	قم بتبديل مستشعر مخرج الماء قم بتبديل الوحدة الوظيفية
		المجموعة الإلكترونية بها عطل	قم بتبديل الوحدة الوظيفية
وميض الضوء الأخضر، انطفاء الضوء الأصفر، الضوء الأحمر مُضيء	لا يوجد ماء ساخن، درجة حرارة الماء الخارج لا تتوافق مع القيمة المستهدفة	رد فعل من تجهيزة الكشف عن الهواء	استمر في السحب لمدة < دقيقة واحدة
		مفتاح الأمان غير مُفعّل عند "التشغيل الأولي"	قم بتفعيل مفتاح الأمان، للقيام بذلك اضغط على زر إعادة الضبط بإحكام
		تم إعتاق مفتاح الأمان من قبل محدد درجة حرارة الأمان	افحص محدد درجة حرارة الأمان (وصلة القابس، وكابل التوصيل)، وقم بتفعيل مفتاح الأمان
		يتم إعتاق مفتاح الأمان مرة أخرى بعد إتمام فحص محدد درجة حرارة الأمان، محدد درجة حرارة الأمان به عطل	قم بتبديل محدد درجة حرارة الأمان، قم بتفعيل مفتاح الأمان، واسحب بأقصى قيمة مستهدفة لمدة < دقيقة واحدة
		إعتاق مفتاح الأمان مجدداً، الوحدة الإلكترونية بها عطل	قم بتبديل الوحدة الوظيفية
		دائرة قصر في مستشعر مخرج الماء	افحص مستشعر مخرج الماء، واستبدله عند اللزوم
		المجموعة الإلكترونية بها عطل	قم بتبديل الوحدة الوظيفية

15.1 تفريغ الجهاز

يمكن تفريغ الجهاز لإجراء أعمال الصيانة.



تحذير الحروق
عندما تقوم بتفريغ الجهاز، قد يخرج ماء ساخن.

- ◀ أغلق صمام الإيقاف في وصلة الماء البارد.
- ◀ افتح جميع صمامات المأخذ.
- ◀ قم بحل وصلات الماء من الجهاز.
- ◀ احرص على تخزين الجهاز المخلوع بدون صقيع نظراً لتبقي بعض الماء في الجهاز والذي يمكن أن يتجمد ويتسبب في حدوث أضرار.

15. الصيانة



تحذير الصعق بالكهرباء
عند إجراء أي أعمال إفضل جميع أقطاب الجهاز من الشبكة الكهربائية.
يحتوي هذا الجهاز على مكثفات كهربائية تقوم تلقائياً بالتفريغ بعد
الفصل عن شبكة التيار. قد يصل جهد تفريغ المكثف الكهربائي في
بعض الحالات إلى < 60 فولت تيار مستمر.

- ◀ ركب الجلبات من الجهة الأمامية في الجزء الخلفي للجهاز.
- ◀ قم بعمل الثقوب وثبت الجهاز باستخدام وسائل التثبيت المناسبة (البراغي والخوابير ليست ضمن التجهيزات الموردة): برغي برأس غاطس Ø 4.5 مم مع قطر الرأس بحد أقصى 9 ملم.

ملحوظة

- ◀ ركب الجهاز معلقًا بالجدار. إذا لزم الأمر، ثبت الجهاز بنقطة تثبيت أخرتين بأسفل. وفي ذلك الصدد ادفع/اقطع الثقوب العميقة السفلية (المسافة 175 مم) من الجدار الخلفي للجهاز (لمعرفة المواضع انظر فصل "المواصفات الفنية / المقاييس والتوصيلات").

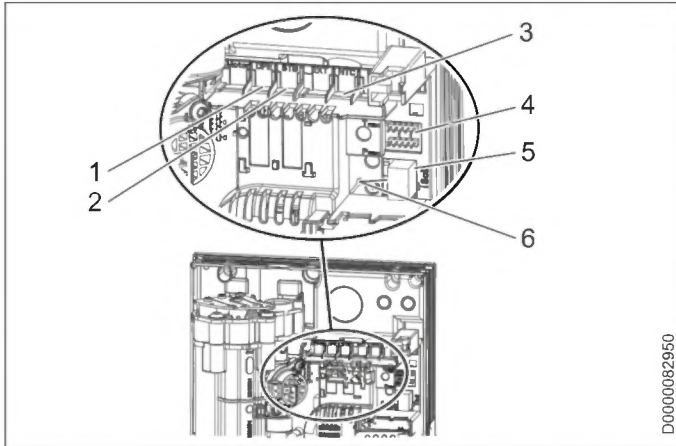
- ◀ أزل سدادات الحماية عند النقل من أنابيب توصيل الماء.
- ◀ أربط أنبوب توصيل الماء الساخن باستخدام عنصر إحكام مسطح ووصلة إمداد الماء البارد بمصفاة ذات حافة مانعة للتسرب (من الملحقات) على الحلمة المزدوجة.

12.6 التشغيل مع الماء مسبق التسخين

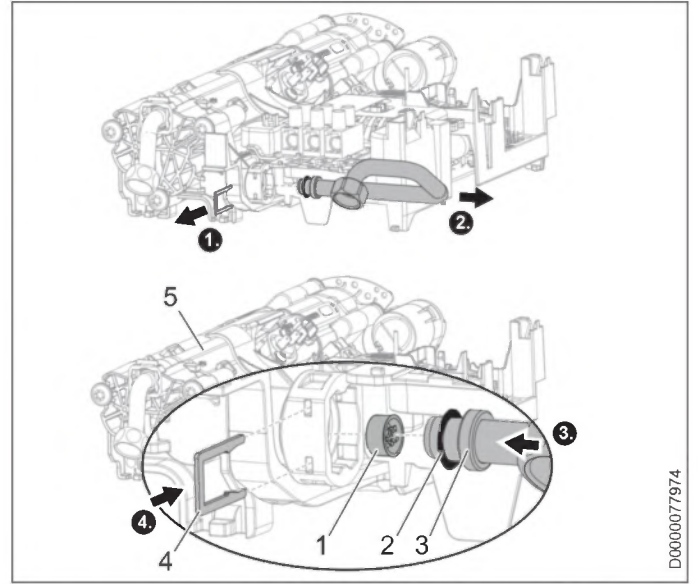
- من خلال تركيب الصنوبر المركزي المزود بثرموستات يتم تحديد درجة الحرارة القصوى للماء الداخل.

13. معلومات-الخدمة

نظرة عامة على التوصيل/نظرة عامة على المكونات



- 1 راصد التدفق
- 2 محدد أمان درجة الحرارة، يمكن إعادة ضبطه تلقائيًا
- 3 مستشعر مقاومة المعامل الحراري السالب
- 4 وصلة متعددة القوايس لكابيل التوصيل والحماية من الاكتواء
- 5 موضع مقبس وحدة التشغيل
- 6 إشارة التشخيص



- 1 محدد كمية الدفق
- 2 حلقة دائرية
- 3 كوع أنبوب المياه الباردة مع مبيت لمشبك التثبيت
- 4 مشبك التثبيت
- 5 التدفئة

- ◀ قم بفك كوع أنبوب المياه الباردة والحلقة الدائرية.
- ◀ ركب محدد كمية الدفق (من التجهيزات الموردة مع الجهاز) في مدخل الماء البارد الخاص بالتدفئة. انتبه إلى الاتجاه.
- ◀ قم بتركيب كوع أنبوب المياه الباردة مع حلقة الإحكام.

الأضرار المادية

- ! لضمان إحكام الجهاز يجب تركيب الحلقة الدائرية.
- ◀ عند التركيب، تأكد من تواجد حلقة الإحكام.

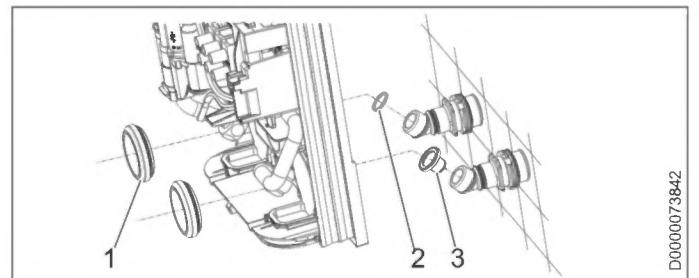
- ◀ قم بتأمين كوع أنبوب المياه الباردة باستخدام مشبك التثبيت.

الأضرار المادية

- ! انتبه إلى أن يكون مشبك التثبيت في موضعه خلف مبيت كوع الأنابيب، وأن كوع الأنابيب مثبت في موضعه.

- ◀ قم بتركيب مجموعة الوحدات الوظيفية بترتيب عكسي في الجدار الخلفي للجهاز حتى يتم تعشيها.
- ◀ ثبت مجموعة الوحدات الوظيفية بواسطة البرغي.

تركيب الجهاز



- 1 جلبات
 - 2 عنصر إحكام مقلطح
 - 3 مصفاة بحافة مانعة للتسرب
- ◀ حدد موضعي الثقوب في المنطقة العليا من الجدار الخلفي بالاستعانة بالجدار الخلفي من الجهاز.

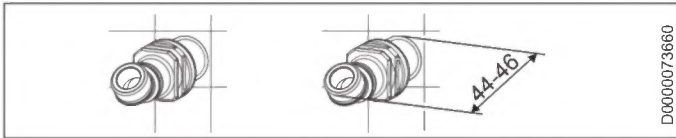
12.5 تركيبات الماء المخفية

تحتاج إلى الملحقات المناسبة من أجل التثبيت. تتضمن مجموعة التركيب "تركيبات الماء المخفية":

- 2 جلبة لسد الفتحات في الجزء الخلفي من الجهاز.
- المصفاة بحافة مانعة للتسرب للتركيب في الحلمة المزدوجة 45°.
- عنصر إحكام مفلطح

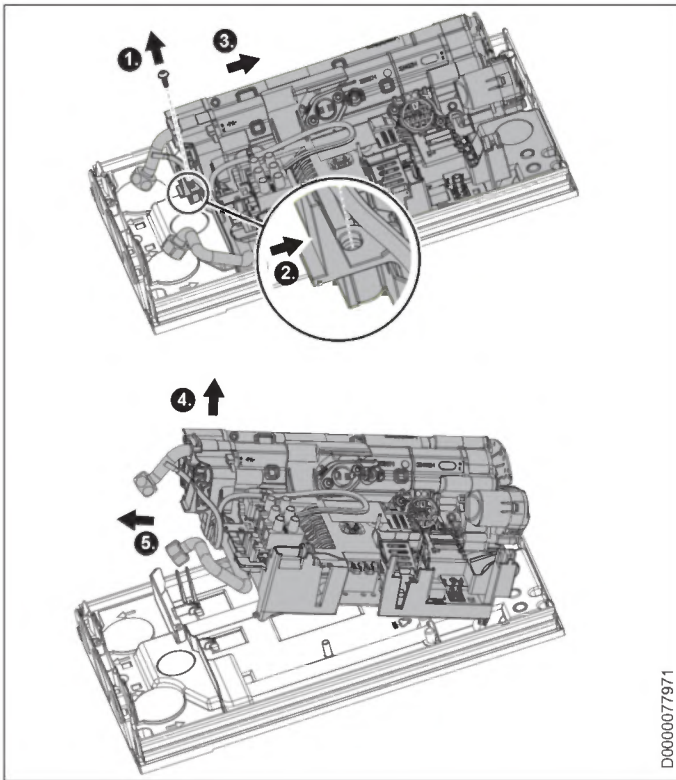
كما أنك تحتاج إلى محدد كمية الدفع من التجهيزات الموردة مع الجهاز.

التحضيرات



◀ أحكم الحلقات المزدوجة 45° وقم بربطها جيدًا.

لثقب المجاري في الجزء الخلفي للجهاز، يجب عليك إزالة مجموعة الوحدات الوظيفية من الجزء الخلفي للجهاز.



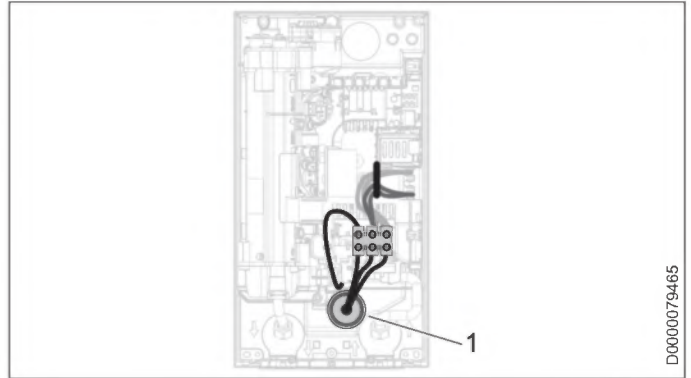
◀ قم بفك البرغي وتحرير قفل خطافات التثبيت.

◀ قم بإزالة مجموعة الوحدات الوظيفية في الجدار الخلفي للجهاز ببساطة إلى الخلف.

◀ ارفع مجموعة الوحدات الوظيفية من الجدار الخلفي للجهاز، بحيث يُمكنك سحبها بسهولة إلى الأمام وإخراجها.

◀ ادفع/اقطع من خلف المجاري اللازمة الخاصة بتوصيلات الماء من الجدار الخلفي للجهاز (لمعرفة المواضع انظر فصل "المواصفات الفنية / المقاييس والتوصيلات"). أزل الحواف الحادة باستخدام مبرد.

12.2 الوصلة الكهربائية الخفية بأسفل



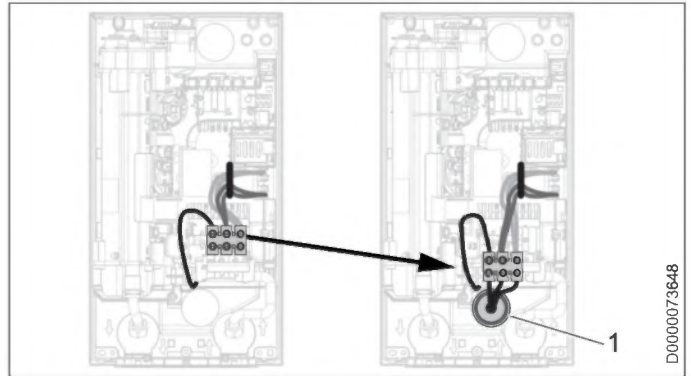
1 جلبة الكابل

◀ اقطع المجاري اللازمة لكابل توصيل الشبكة من الجدار الخلفي للجهاز (لمعرفة المواضع انظر فصل "المواصفات الفنية / المقاييس والتوصيلات"). أزل الحواف الحادة باستخدام مبرد.

◀ افتح ثقب في جلبة الكابل وفقا للوصلة الكهربائية المحددة. ركب جلبة الكابل. ركب الجهاز ووصل كابل توصيل الشبكة بطرف توصيل الشبكة كما هو موضح في فصل "التركيب/التركيب القياسي المكشوف".

12.3 توصيل كهربائي بكابل توصيل شبكة قصير

إذا كان كابل توصيل الشبكة قصير جدًا، يمكنك تثبيت طرف توصيل الشبكة الكهربائية في الجهاز بالقرب من فتحة التمرير.



1 جلبة الكابل

◀ حرّك طرف توصيل الشبكة من أعلى إلى أسفل. فك طرف توصيل الشبكة، من خلال تحريك طرف التوصيل بالشبكة إلى اليسار بقوة ثم إلى الأمام. ثبت طرف توصيل الشبكة الكهربائية لأسفل، عن طريق الضغط على طرف توصيل الشبكة الكهربائية وتحريكه إلى اليسار حتى يستقر في مكانه.

12.4 الوصلة الكهربائية الجانبية المكشوفة

◀ قم بنشر وقطع المجاري اللازمة لكابل توصيل الشبكة من الجدار الخلفي وغطاء الجهاز (لمعرفة المواضع انظر فصل "المواصفات الفنية / المقاييس والتوصيلات"). أزل الحواف الحادة باستخدام مبرد.

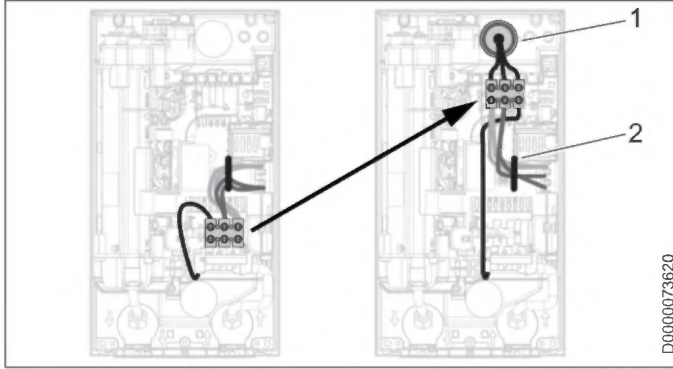
◀ ركب الجهاز ووصل كابل توصيل الشبكة بطرف توصيل الشبكة كما هو موضح في فصل "التركيب/التركيب القياسي المكشوف".

12. إمكانيات التركيب

تحذير الصعق بالكهرباء
عند إجراء أي أعمال افصل جميع أقطاب الجهاز من الشبكة الكهربائية.



12.1 الوصلة الكهربائية الخفية بأعلى



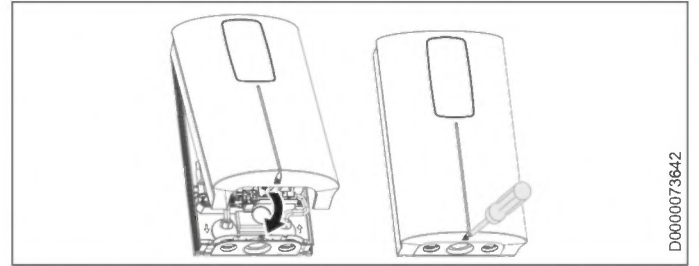
- 1 جلبة الكابل
- 2 تمرير الكابل

- ◀ اقطع المجاري اللازمة لكابل توصيل الشبكة من الجدار الخلفي للجهاز (لمعرفة المواضع انظر فصل "المواصفات الفنية / المقاييس والتوصيلات").
- ◀ أزل الحواف الحادة باستخدام مبرد.
- ◀ افتح ثقب في جلبة الكابل وفقا للوصلة الكهربائية المحددة. ركب جلبة الكابل.
- ◀ حرك طرف توصيل الشبكة من أسفل إلى أعلى. فك طرف توصيل الشبكة، من خلال تحريك طرف التوصيل بالشبكة إلى اليسار بقوة ثم إلى الأمام. قم بلف طرف التوصيل بالشبكة الكهربائية مع كابلات التوصيل بدرجة 180 في اتجاه عقارب الساعة. مد الأسلاك الداخلية أسفل مجرى الكابل. ثبت طرف توصيل الشبكة، عن طريق الضغط على طرف توصيل الشبكة الكهربائية وتحريكه إلى اليسار حتى يستقر في مكانه.
- ◀ ركب الجهاز ووصل كابل توصيل الشبكة بطرف توصيل الشبكة كما هو موضح في فصل "التركيب/التركيب القياسي المكشوف".

ملحوظة



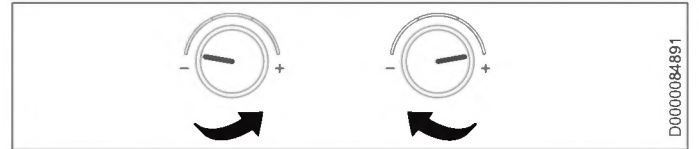
- ◀ فك طرف التوصيل بالشبكة بالأعلى.
- ◀ قم بتحريك قفل خطافات التثبيت من الجانب الأيمن باستخدام مفك.



- ◀ قم بتعليق غطاء الجهاز على الجهة العلوية بالخلف في الجدار الخلفي للجهاز.
- ◀ قم بتحريك غطاء الجهاز نحو الأسفل. افحص التثبيت المحكم لغطاء الجهاز من أعلى وأسفل.
- ◀ ثبت غطاء الجهاز بواسطة البرغي.
- ◀ أزل رقاقة الحماية من لوحة التحكم.



- ◀ قم بتشغيل الإمداد بالجهد الكهربائي.
- ◀ تأكد من أن وحدة التشغيل تعمل بشكل سليم.



- ◀ أدر مفتاح ضبط درجة الحرارة حتى النهاية يسارًا ويمينًا.

10.3.1 تسليم الجهاز لمستهلك آخر

- ◀ اشرح للمستخدم طريقة عمل الجهاز وقم بتعريفه بكيفية استخدامه.
- ◀ نبّه المستخدم للأخطار المحتملة، ولاسيما خطر الاكتواء.
- ◀ قم بتسليمه الليل.

10.4 إعادة التشغيل

الأضرار المادية



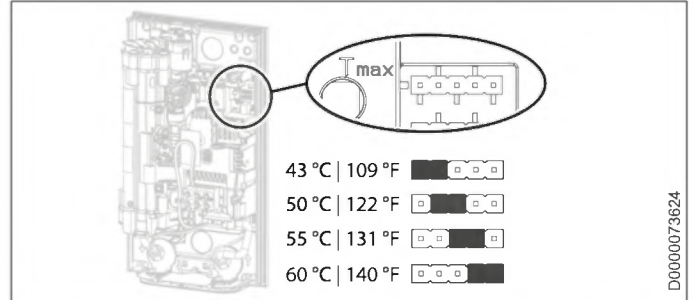
- ◀ لكي لا يتلف نظام التشغيل بالسلك العاري بعد انقطاع التغذية المائية، يجب إعادة تشغيل الجهاز باتباع الخطوات التالية.
- ◀ افصل الجهاز عن التيار، من خلال إيقاف المصاهر.
- ◀ قم بتفريغ الهواء من الجهاز ومن وصلة الماء البارد (انظر فصل "التشغيل / التشغيل الأولي").
- ◀ قم بتشغيل الإمداد بالجهد الكهربائي مرة أخرى.

11. إيقاف التشغيل

- ◀ افصل الجهاز بجميع الأقطاب من وصلة الشبكة.
- ◀ فرغ الجهاز (انظر فصل "الصيانة / تفريغ الجهاز").

10. التشغيل

10.1 الحماية الداخلية من الاكتواء من خلال منفذ توصيل وصلة العبور



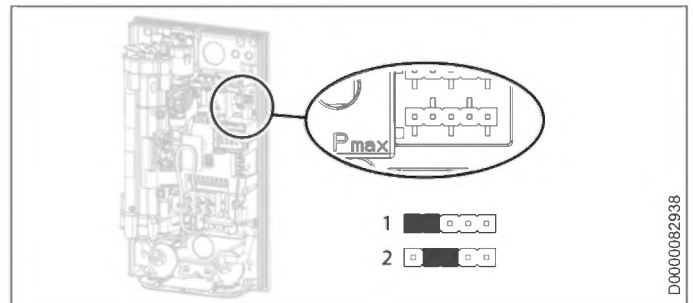
قم بتثبيت وصلة العبور على الوضعية المرغوبة للوصلة متعددة القوابس «Tmax».

موضع وصلة العبور	الشرح
43 °C 109 °F	على سبيل المثال في رياض الأطفال والمستشفيات وما شابه.
50 °C 122 °F	
55 °C 131 °F	الحد الأقصى لتشغيل النش
60 °C 140 °F	ضبط المصنع
دون وصلة عبور	الحد 43 °C 109 °F

تنبيه الحروق
عند التشغيل مع الماء مسبق التسخين، عند استخدام محطات الطاقة الشمسية مثلاً، يمكن تخطي الحماية الداخلية من الاكتواء. في هذه الحالة حدد درجة الحرارة بصنوبر مركزي بثرموستات مسبق التشغيل.

10.2 تعديل قدرة التوصيل عبر منفذ توصيل وصلة العبور

في حالة اختيار قدرة توصيل أخرى بالجهاز بخلاف إعدادات ضبط المصنع، يجب عليك إعادة توصيل وصلة العبور.

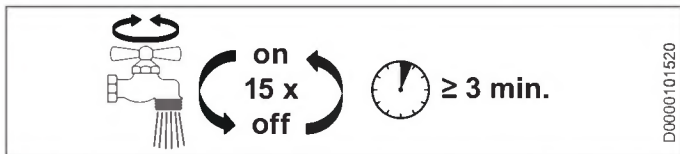


قم بتثبيت وصلة العبور على الوضعية المرغوبة للوصلة متعددة القوابس "Pmax".

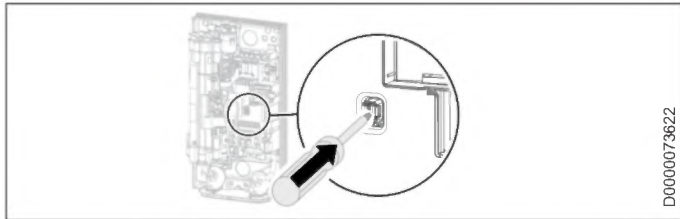
موضع وصلة العبور	قدرة التوصيل	DCE-S 6/8 Plus	DCE-S 10/12 Plus
1 [low]	عند 220 فولت	6.0 ك.واط	10.0 ك.واط
	عند 230 فولت	6.6 ك.واط	11.0 ك.واط
	عند 240 فولت	7.2 ك.واط	12.0 ك.واط
2 [high]	عند 220 فولت	8.0 ك.واط	12.0 ك.واط
	عند 230 فولت	8.7 ك.واط	13.1 ك.واط
	عند 240 فولت	9.6 ك.واط	14.3 ك.واط
دون وصلة عبور [low]	عند 220 فولت	6.0 ك.واط	10.0 ك.واط
	عند 230 فولت	6.6 ك.واط	11.0 ك.واط
	عند 240 فولت	7.2 ك.واط	12.0 ك.واط

10.3 التشغيل الأولي

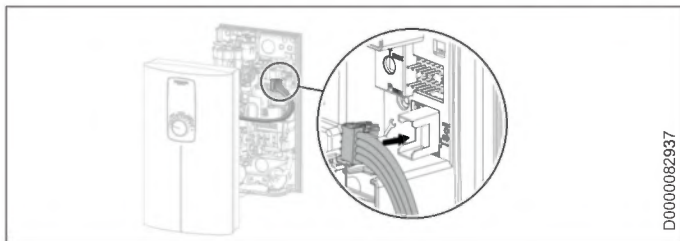
حدد قدرة التوصيل المختارة على ملصق الطراز. استخدم قلم حبر في الكتابة.



افتح جميع صمامات السحب الموصلة وأغلقها 15 مرة في غضون 3 دقائق بحد أدنى إلى أن تخلو شبكة الأنابيب والجهاز من الهواء. قم بتفريغ الهواء من وصلة الماء البارد والجهاز بتدفق يبلغ 3.5 لتر/دقيقة بحد أدنى. تحقق من عدم وجود أي مواضع تسريب.



فعل قاطع دائرة الأمان من خلال الضغط بقوة على زر إعادة الضبط (يتم توريد الجهاز بينما يكون قاطع دائرة الأمان غير مفعل).



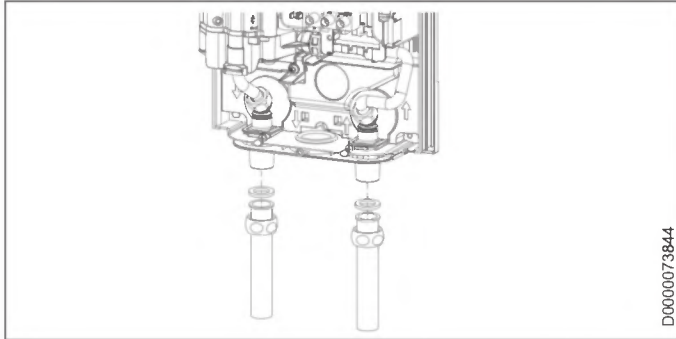
ضع قابس كابل توصيل وحدة التشغيل في المجموعة الإلكترونية.

ملحوظة

يلزم توصيل كابل توصيل وحدة التشغيل بالمجموعة الإلكترونية قبل تشغيل الجهاز. وحدة التشغيل غير صالحة للعمل.

تركيب الجهاز

- ◀ ادفع/افتح الثقوب العميقة السفلية (المسافة 175 مم) من أجل تثبيت الجهاز من جداره الخلفي (لمعرفة المواضع انظر فصل "المواصفات الفنية / المقاييس والتوصيلات"). فتحتا التثبيت العلويتان مفتوحتان بالفعل.
- ◀ حدد مواضع الثقوب الأربعة بالاستعانة بالجدار الخلفي للجهاز.
- ◀ قم بعمل الثقوب وثبت الجهاز باستخدام وسائل التثبيت المناسبة (البراغي والخوابير ليست ضمن التجهيزات الموردة): برغي برأس غاطس Ø 4.5 مم مع قطر الرأس بحد أقصى 9 ملم.



D0000073844

- ◀ ركب صنوبر ضغط مناسب.
- ◀ اربط أنابيب توصيل الماء بالصنوبر (ليست ضمن التجهيزات الموردة) باستخدام عناصر الإحكام المفلطحة على الحلمة المزدوجة.
- ◀ افتح صمام الإيقاف في وصلة الإمداد بالماء البارد.

توصيل التيار الكهربائي

تحذير الصعق بالكهرباء
يجب القيام بجميع التوصيلات والتركيبات الكهربائية وفقاً للتعليمات.



تحذير الصعق بالكهرباء
يُسمح فقط بالتوصيل بشبكة تيار كتوصيل ثابت بالارتباط مع جلبية الكابيل القابلة للخلع. كما يجب أن تتوافر إمكانية فصل الجهاز عن وصلة الشبكة الكهربائية من مسافة عزل لا تقل عن 3 ملم من جميع الأقطاب.



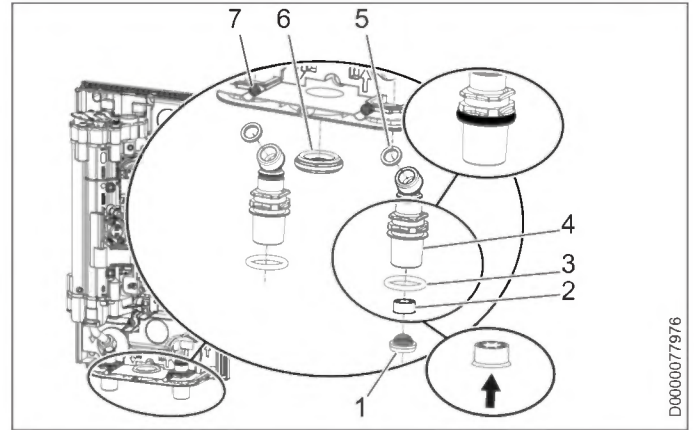
تحذير الصعق بالكهرباء
تأكد من توصيل الجهاز بوصلة الأرضي.



الأضرار المادية
انتبه للبيانات المدونة على لوحة البيانات. يجب أن يتوافق الجهد الاسمي المذكور مع جهد التيار الرئيسي.

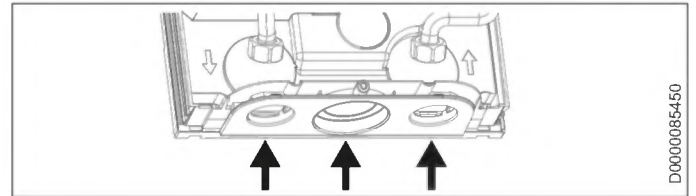


- ◀ حرك كابل توصيل الشبكة عبر جلبية الكابيل.
- ◀ وصل كابل توصيل الشبكة بطرف التوصيل بالشبكة (انظر موضوع "التثبيت / المواصفات الفنية / مخطط التوصيل الكهربائي").



D0000077976

- 1 مصفاة
 - 2 محدد كمية الدفق
 - 3 حلقات دائرية
 - 4 حلمة مزدوجة 45°
 - 5 عناصر إحكام مفلطحة
 - 6 جلبية الكابيل
 - 7 براغي تأمين
- ◀ قم بفك برغي التأمين.



D0000085450

- ◀ ادفع/اقطع بطول العلامات المجاري اللازمة الخاصة بكابل توصيل الشبكة والحلمة المزدوجة من الجدار الخلفي للجهاز. استخدم أداة مسطحة مناسبة لهذا الغرض. أزل الحواف الحادة باستخدام مبرد.
- ◀ أزل سدادات الحماية عند النقل من أنابيب توصيل الماء.
- ◀ افتح ثقب في جلبية الكابيل وفقاً للوصلة الكهربائية المحددة. ركب جلبية الكابيل.
- ◀ ركب الحلقات الدائرية في مجرى الحلمة المزدوجة.
- ◀ أدخل الحلمة المزدوجة في فتحات الجدار الخلفي للجهاز وركبها مع عناصر الإحكام المفلطحة على أنابيب توصيل الجهاز (عزم الربط 8 نيوتن متر).
- ◀ أحكم الحلمة المزدوجة ببراعي التأمين.
- ◀ ركب محدد كمية الدفق والمصفاة في الحلمة المزدوجة بوصلة الماء البارد. انتبه إلى اتجاه محدد كمية الدفق.

9. التركيب

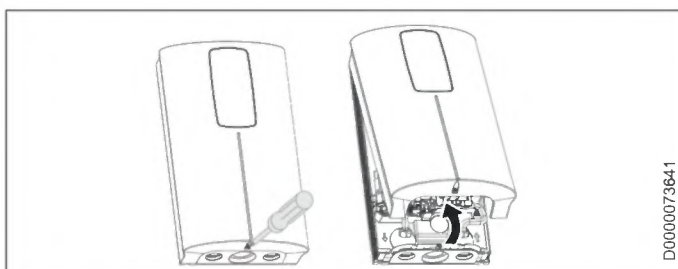
DCE-S 10/12 Plus	DCE-S 6/8 Plus	إعدادات ضبط المصنع
60	60	الحماية الداخلية من الاكتواء مقياسة بالدرجة مئوية م°
12.0	8.0	عند 220 فولت
13.1	8.7	عند 230 فولت
14.3	9.6	عند 240 فولت

DCE-S 10/12 Plus	DCE-S 6/8 Plus	التركيب القياسي
X	X	التوصيل الكهربائي بأسفل، التثبيت المكشوف
X	X	وصلة ماء التثبيت المكشوف

لمعرفة إمكانيات التركيب الأخرى انظر فصل "إمكانيات التركيب".

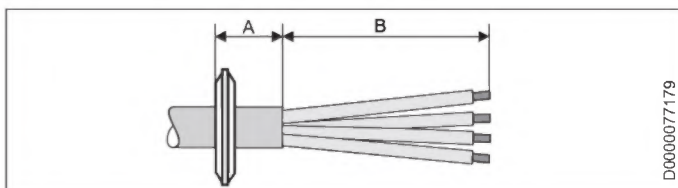
9.1 التركيب القياسي المكشوف

فتح الجهاز



افتح الجهاز عن طريق فك البراغي وفتح غطاء الجهاز.

تحضير كابلات التوصيل الكهربائية



حضّر كابل التوصيل بالشبكة.

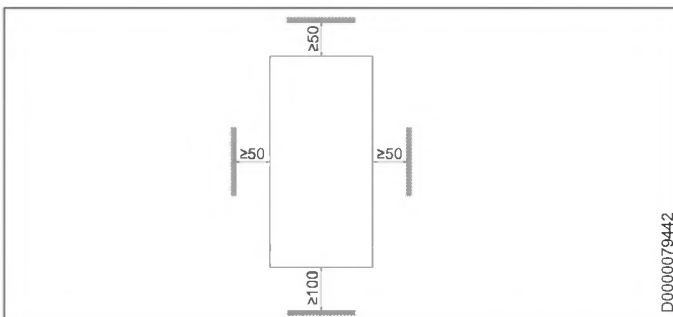
مقاس B	مقاس A	الوضع المكشوف
120	30	في الأسفل، المنتصف
90	20	في الأسفل، الجانب الأيسر من الجهاز
90	20	في الأسفل، الجانب الأيمن من الجهاز
80	20	في الأعلى، الجانب الأيمن من الجهاز

مقاس B	مقاس A	الوضع المخفي
90	20	في الأسفل
80	20	في الأعلى

ملحوظة

ركب الجهاز معلقًا بالجدار. يجب أن يكون الحائط قادرًا على حمل الجهاز.

8.2 الحد الأدنى للمسافات



التزم بالحد الأدنى للمسافة، لضمان تشغيل الجهاز دون اختلالات وإتاحة إجراء أعمال الصيانة بالجهاز.

8.3 تركيبات الماء

الأضرار المادية

قم بتنفيذ جميع إجراءات توصيلات الماء والتركيب طبقًا للتعليمات.

اشطف وصلة الماء جيدًا.

الصنابير

استخدم صنابير ضغط مناسبة. لا يُسمح باستخدام الصنابير المكشوفة.

مواد التشغيل ووصلات الماء المسموح بها

- وصلة إمداد الماء البارد:
أنبوب صلب مجلفن بالسخونة أو أنبوب فولاذي أو أنبوب نحاسي أو أنبوب بلاستيكي
- وصلة مخرج الماء الساخن:
أنبوب فولاذي أو أنبوب نحاسي أو أنبوب بلاستيكي

الأضرار المادية

في حالة استخدام أنظمة أنابيب بلاستيكية، ينبغي مراعاة الحد الأقصى المسموح به لدرجة حرارة الإمداد، وكذلك أقصى ضغط مسموح به.

كمية تيار الماء

تأكد من الوصول إلى التدفق الحجمي لتشغيل الجهاز.

في حالة الوصول إلى كمية التيار اللازمة مع فتح صمام السحب بالكامل، أزل محدد كمية التدفق من مدخل الماء البارد.

إلا أنه يمكنك عند اللزوم رفع الضغط في تركيبات الماء.

التثبيت

6. السلامة

لا يجوز تثبيت الجهاز، أو تشغيله، أو صيانته، أو إصلاحه إلا بواسطة فني مختص.

6.1 إرشادات السلامة العامة

نحن نضمن الكفاءة الوظيفية للجهاز ولتشغيل الجهاز بلا مشاكل، يجب تركيب الملحقات وقطع الغيار الأصلية الخاصة بالجهاز دون غيرها.

الأضرار المادية



تُرَاعَى درجة الحرارة القصوى للماء الداخل. وفي حالة وجود ماء بدرجات حرارة أعلى، فمن الممكن أن يتلف الجهاز. عند تركيب الصنبور المركزي بثرموستات يمكنك تحديد درجة حرارة الماء الداخل القصوى.

تحذير الصعق بالكهرباء



يحتوي هذا الجهاز على مكثفات كهربائية تقوم تلقائياً بالتفريغ بعد الفصل عن شبكة التيار. قد يصل جهد تفريغ المكثف الكهربائي في بعض الحالات إلى < 60 فولت تيار مستمر.

6.2 تشغيل الدُش

تنبيه الحروق



◀ في حالة إمداد الدُش، قم بضبط الحماية الداخلية من الاكتواء على درجة حرارة 55 °م، انظر فصل "التشغيل / التحضيرات".

تنبيه الحروق



عند التشغيل مع الماء مسبق التسخين، عند استخدام محطات الطاقة الشمسية مثلاً، برجاء مراعاة الملحوظة التالية: يُمكن أن تتخطى درجة حرارة الماء الساخن القيمة المستهدفة المضبوطة أو حد درجة الحرارة المضبوط. ◀ في هذه الحالة حدد درجة الحرارة بصنبور مركزي بثرموستات مسبق التشغيل.

6.3 اللوائح والمعايير والتشريعات

ملحوظة



انتبه لجميع التعليمات والتشريعات المحلية والإقليمية.

- لا يمكن ضمان تحقيق فئة الحماية IP 25 (حماية ضد الماء المتناثر) إلا من خلال جلبة الكابل المجهزة بشكل صحيح وباستخدام براغي برأس غاطسة بقطر 4.5 مم مع قطر الرأس بحد أقصى 9 مم.
- يجب ألا تقل المقاومة الكهربائية المحددة للماء عما هو مذكور على لوحة البيانات. في حالة وجود شبكة مائية مجمعة انتبه إلى أدنى مقاومة كهربائية للماء. يمكنك معرفة المقاومة الكهربائية المحددة للماء أو قابلية التوصيل الكهربائية له من خلال شركة الإمداد بالماء.

7. وصف الجهاز

7.1 إجمالي المرسل

يتم توريد ما يلي مع الجهاز:

- 2 حلمة مزدوجة 45°
- 2 عنصر إحكام مفلطح
- 2 حلقة دائرية
- جلبة الكابل
- مصفاة
- محدد كمية الدفع
- وصلة عبور للحماية من الاكتواء، مرفقة
- وصلة عبور لمفتاح توصيل وقطع القدرة، مرفقة

7.2 الملحقات

مجموعة تركيب تركيبات الماء المخفية (UP-Kit EU - 200016)

تتضمن مجموعة التركيب الخاصة بتركيبات الماء المخفية:

- 2 جلبة لسد الفتحات في الجزء الخلفي من الجهاز.
- المصفاة بحافة مانعة للتسرب للتركيب في الحلمة المزدوجة 45°.
- عنصر إحكام مفلطح

8. التحضيرات

8.1 موضع التركيب

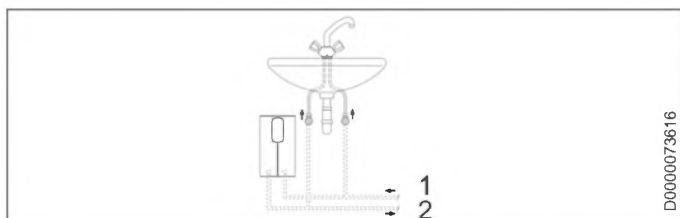
الأضرار المادية



يجب ألا يتم تثبيت الجهاز إلا في مكان خال من الصعق.

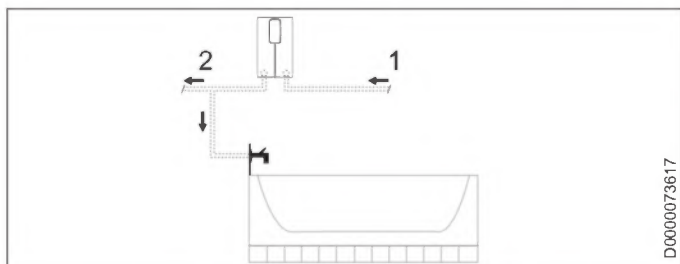
- ◀ قم بتثبيت الجهاز بشكل عمودي بالقرب من المأخذ.
- الجهاز ملائم للتركيب على الأرضية أو للتركيب المعلق.

التركيب على الأرضية



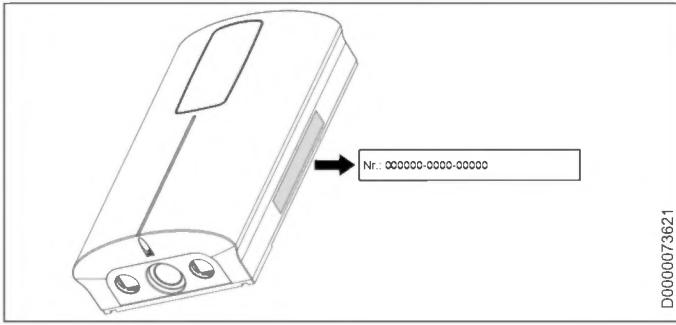
- 1 مدخل الماء البارد
- 2 مخرج الماء الساخن

التركيب المعلق



- 1 مدخل الماء البارد
- 2 مخرج الماء الساخن

إذا تعذر عليك الإصلاح بسبب العطل، فاتصل بفني متخصص. للحصول على مساعدة متميزة وسريعة، أبلغهم برقم لوحة البيانات وهو (000000-0000-000000).



3.2 توصيات الضبط

يساعد سخان الماء الفوري الخاص بك على تقديم أقصى قدر من الدقة والراحة أثناء توفير الماء الساخن. ولكن في حالة استخدام الجهاز مع صنوبر مزود بثرمومات، فإننا نوصي بما يلي:

- ▲ اضبط درجة الحرارة المستهدفة على الجهاز لتكون أكثر من 50 م. عندئذ اضبط درجة الحرارة المستهدفة من الصنوبر المزود بثرمومات.

توفير الطاقة

تحتاج إلى الحد الأدنى من الطاقة للقيام بالأغراض التالية، والتي نقدم لكم الإعدادات الموصى بها ذات الصلة:

- 38 م لحوض غسل اليدين والدش والبانيو
- 55 م لحوض المطبخ

تحديد درجة الحرارة باستخدام الحماية الداخلية من الاكتواء (الفنيون المتخصصون)

عند الرغبة، يمكن للفني المتخصص ضبط تحديد درجة الحرارة بشكل مستمر، على سبيل المثال داخل رياض الأطفال والمستشفيات وما شابه.

عند إمداد الدش، يجب على الفني المتخصص تحديد نطاق درجة الحرارة في الجهاز على درجة حرارة 55° م أو أقل.

من خلال هذا التحديد تتم إعاقة تدفق ماء بدرجات حرارة من الجهاز وهو الأمر الذي قد يسبب الاكتواء.

توصيات الإعداد في حالة التشغيل مع استخدام صنوبر مزود بثرمومات وماء مسخن مسبقًا بالشمس

- ▲ اضبط درجة حرارة جهاز على الحد الأقصى لدرجة الحرارة.

4. التنظيف، والعناية، والصيانة

▲ لا تستخدم مواد تنظيف حادة أو مذيبة. للعناية بالجهاز وتنظيفه يكفي استخدام قطعة قماش مبللة.

▲ راقب حالة الصنابير بصفة دورية. ويمكنك إزالة الجير الموجود عند مخارج الصنابير بوسائل إزالة الجير المتداولة.

5. حل المشاكل

المشكلة	السبب	كيفية التغلب عليه
الجهاز لا يعمل رغم أن صمام الماء الساخن مفتوح عن آخره.	لا يوجد جهد كهربائي في الجهاز.	افحص المصاهر في التركيبات المنزلية.
	فوهة التهوية في الصنوبر أو رأس الدش بها جير أو مسخنة.	نظف و/أو أزل الجير من فوهة التهوية أو رأس الدش.
	تم قطع التغذية المائية.	قم بتفريغ الهواء من الجهاز ومن وصلة الماء البارد (انظر فصل "التثبيت / التشغيل / التشغيل الأولي").
خلال خروج الماء الساخن، يتدفق ماء بارد لفترة قصيرة.	خاصية التعرف على الهواء ترصد وجود هواء في الماء. وتوقف قدرة التسخين لفترة قصيرة.	يعمل الجهاز مرة أخرى بعد دقيقة واحدة تلقائيًا.
أثناء التشغيل، تصدر ضوضاء عيان.	لم يتم تفريغ الهواء من الجهاز.	قم بتفريغ الهواء من الجهاز (انظر فصل "التثبيت / التشغيل / التشغيل الأولي").
	ضغط الإمداد قليل للعناية.	تأكد من الوصول لأقل ضغط إمداد (انظر فصل "التثبيت / المواصفات الفنية / جدول البيانات").
لا يمكن ضبط درجة الحرارة المرغوبة.	الحماية الداخلية من الاكتواء مغلقة.	لا يمكن تغيير الحماية الداخلية من الاكتواء إلا من قبل فني متخصص.

1.3 وحدات القياس



ملحوظة ما لم يُذكر خلاف ذلك، يتم احتساب جميع القياسات بوحدة المليمتر.

2. السلامة

2.1 الاستخدام المطابق للتعليمات

الجهاز مخصص لتسخين ماء الشرب أو لإعادة تسخين ماء سبق تسخينه. يمكن أن يكون الجهاز مزودًا بمأخذ واحد أو عدة مأخذ للمياه.

إذا تم تجاوز درجة حرارة الماء الداخل القصوى المعدة لإعادة التسخين، فإن عملية إعادة التسخين لن تتم.

الجهاز مخصص للاستخدام في البيئة المنزلية. ويمكن استعماله بشكل آمن من قبل الأشخاص غير المدربين. كما يُمكن استخدام الجهاز أيضًا في البيئة غير المنزلية، مثلًا في المنشآت الصغيرة، طالما يتم الاستخدام بنفس الطريقة.

ويعد أي استخدام خارج النطاق الموضح استخدامًا مخالفًا للتعليمات. ويعتبر أيضًا من الاستخدام المطابق للتعليمات مراعاة ما ورد في هذا الدليل، وكذلك أدلة الملحقات المستخدمة.

2.2 إرشادات السلامة العامة



تنبيه الحروق أثناء التشغيل قد تزيد درجة حرارة الصنبور حتى 70 م. مع درجات حرارة ماء خارج تزيد على 43 م ينطوي الأمر على خطر الإصابة باكتواءات.



تنبيه الحروق في حالة استخدام الجهاز من قبل أطفال، أو أشخاص ذوي قدرات جسدية أو حسية أو عقلية محدودة، فيجب تحديد درجة الحرارة بشكل دائم وغير متغير. اضبط الحماية الداخلية من الاكتواء بالاستعانة بفني متخصص.



تنبيه الحروق عند التشغيل مع الماء مسبق التسخين، عند استخدام محطات الطاقة الشمسية مثلًا، برجاء مراعاة الملحوظة التالية: يمكن أن تتخطى درجة حرارة الماء الساخن القيمة المستهدفة المضبوطة أو حد درجة الحرارة المضبوط. في هذه الحالة حدد درجة الحرارة بصنبور مركزي بثرموستات مسبق التشغيل.



تحذير الإصابة يمكن استخدام الجهاز من قبل الأطفال بدءًا من عمر 3 سنوات، وكذلك الأشخاص ذوي القدرات البدنية أو الحسية أو العقلية المحدودة، أو الذين لديهم نقص في الخبرة والمعرفة في حالة الإشراف عليهم أو إرشادهم بشأن كيفية الاستخدام الآمن للجهاز واستيعابهم للمخاطر الناشئة عن ذلك. لا يجوز السماح للأطفال باللعب بالجهاز. لا يجوز قيام المستخدم بالسماح بتنظيف وصيانة الجهاز من قبل الأطفال دون مراقبة.



الأضرار المادية يجب حماية الجهاز والصنبور من التجمد من قبل المستخدم.



ملحوظة لتلبية متطلبات فنة الحماية IP 25، يجب استخدام براغي برأس غاطسة لتثبيت الجهاز على الحائط.

2.3 رموز الاختبار

انظر لوحة البيانات في الجهاز.

3. وصف الجهاز

بمجرد فتح صمام الماء الساخن من الصنبور، يتم تشغيل الجهاز تلقائيًا. عند غلق الصنبور، يتوقف الجهاز عن العمل تلقائيًا.

يقوم الجهاز بتسخين الماء خلال تدفقه عبر الجهاز. درجة الحرارة المستهدفة قابلة للضبط. بداية من كمية تدفق محددة، يقوم المنظم بتشغيل قدرة التسخين اللازمة بالاعتماد على درجة الحرارة المضبوطة ودرجة حرارة الماء البارد.

سخان المياه الفوري المُدمج ذو تحكم إلكتروني المزود بخاصية مواءمة القدرة أوتوماتيكيًا يحافظ على ثبات درجة حرارة الماء الخارج. يتم ذلك بغض النظر عن درجة حرارة الماء الداخل وصولاً إلى القدرة القصوى للجهاز.

إذا تم تشغيل الجهاز بماء مسخن مسبقًا مع تخطي درجة حرارة الماء الداخل لدرجة الحرارة المحددة، فلن تتم مواصلة تسخين الماء.

نظام التسخين

نظام التسخين بالسلك العاري محاط بغلاف بلاستيكي محكم الضغط. نظام التسخين بملف تسخين فولاذي مناسب للماء بدون جيزر أو يحتوي على جيزر، وهو لا يتأثر بالجيزر إلى حد كبير. حيث يتولى نظام التسخين مهمة تحضير الماء الساخن بسرعة وكفاءة.



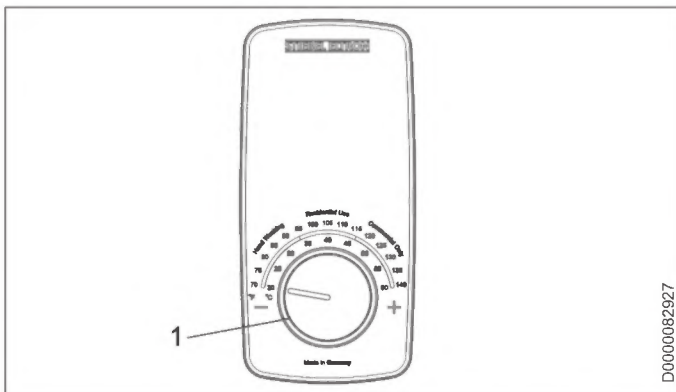
ملحوظة الجهاز مزود بخاصية التعرف على الهواء التي تمنع تلف نظام التسخين إلى حد كبير. عند تسرب هواء إلى الجهاز خلال التشغيل، يوقف الجهاز قدرة التسخين لمدة دقيقة واحدة وبذلك يحمي نظام التسخين.

بعد قطع التغذية المائية

الأضرار المادية

- ❗ لكي لا يتلف نظام التشغيل بالسلك العاري بعد انقطاع التغذية المائية، يجب إعادة تشغيل الجهاز باتباع الخطوات التالية.
- ◀ أفضل الجهاز عن التيار، من خلال إيقاف المصاهر.
- ◀ قم بتفريغ الهواء من الجهاز ومن وصلة الماء البارد (انظر فصل "التثبيت / التشغيل / التشغيل الأولي").
- ◀ قم بتشغيل الإمداد بالجهد الكهربائي مرة أخرى.

3.1 ضبط درجة الحرارة المستهدفة



1 زر ضبط درجة الحرارة لضبط درجة الحرارة المستهدفة

إرشادات خاصة

الاستعمال

1. إرشادات عامة

الفصلان "إرشادات خاصة" و"الاستعمال" موجّهان لمستخدم الجهاز والفني المختص. فصل "التركيب" موجّه للفني المختص.



ملحوظة
اقرأ هذا الدليل بعناية قبل بدء الاستخدام واحتفظ به عند الضرورة، قم بتسليم الدليل للمستخدم الجديد.

1.1 إرشادات السلامة

1.1.1 تقسيم إرشادات السلامة

الكلمات المفتاحية نوع الخطر
تجد هنا العواقب المحتملة لتجاهل إرشادات السلامة.
◀ تجد هنا إجراءات لكيفية درء الأخطار.

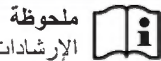
1.1.2 الرموز، نوع الخطر

نوع الخطر	الرمز
إصابة	
صعق بالكهرباء	
حروق (حروق، اكتواءات)	

1.1.3 الكلمات المفتاحية

الوصف	الكلمة المفتاحية
إرشادات يؤدي تجاهلها إلى وقوع إصابات خطيرة أو الوفاة.	خطر
إرشادات يمكن أن يؤدي تجاهلها إلى وقوع إصابات خطيرة أو الوفاة.	تحذير
إرشادات يمكن أن يؤدي تجاهلها إلى إصابات متوسطة أو خفيفة.	تنبيه

1.2 العلامات الأخرى في هذا الدليل



ملحوظة
الإرشادات العامة يتم تمييزها بالرمز المجاور.
◀ اقرأ نصوص الإرشادات بعناية.

الوصف	الرمز
الأضرار المادية (أضرار في الأجهزة، أضرار مترتبة، أضرار ببنية)	
التخلص من الجهاز	

◀ يشير هذا الرمز إلى أنه يتوجب عليك اتخاذ إجراء ما. ويتم شرح الإجراء المطلوب منك القيام به خطوة بخطوة.

- يمكن استخدام الجهاز من قبل الأطفال بدءاً من عمر 3 سنوات، وكذلك الأشخاص ذوو القدرات البدنية أو الحسية أو العقلية المحدودة، أو الذين لديهم نقص في الخبرة والمعرفة في حالة الإشراف عليهم أو إرشادهم بشأن كيفية الاستخدام الآمن للجهاز واستيعابهم للمخاطر الناشئة عن ذلك. لا يجوز السماح للأطفال باللعب بالجهاز. لا يجوز قيام المستخدم بالسماح بتنظيف وصيانة الجهاز من قبل الأطفال دون مراقبة.

- أثناء التشغيل قد تزيد درجة حرارة الصنوبر حتى 70 م. مع درجات حرارة ماء خارج تزيد على 43 م ينطوي الأمر على خطر الإصابة باكتواءات.

- الجهاز مناسب لإمداد الدُش (تشغيل الدُش). في حالة استخدام الجهاز أيضاً أو حصرياً لغرض تشغيل الدُش، يجب على الفني المختص ضبط نطاق درجة الحرارة من خلال خاصية الحماية الداخلية من الحرق لتكون في نطاق 55 م أو أقل. في حالة استخدام الماء المسخن مسبقاً، يجب التحقق من أن درجة حرارة الإمداد لن تتعدى 55 م.

- كما يجب أن تتوفر إمكانية فصل الجهاز عن وصلة الشبكة الكهربائية من مسافة عزل لا تقل عن 3 ملم من جميع الأقطاب.

- يجب أن يتوافق جهد التيار المذكور مع نظام الإمداد بالجهد الكهربائي.

- يجب توصيل الجهاز بموصل وقائي.

- يجب أن يكون الجهاز متصلاً دوماً بسلك توصيل ثابت.

- تثبت الجهاز كما هو موضح في فصل "التثبيت / التركيب".

- انتبه إلى حدود الاستخدام (انظر فصل "التثبيت / المواصفات الفنية / جدول البيانات").

- لا يجوز النقصان عن المقاومة المحددة للماء بشبكة التغذية المائية (انظر فصل "التثبيت / المواصفات الفنية / جدول البيانات").

- فرغ الجهاز كما هو موضح في فصل "التركيب / الصيانة / تفرغ الجهاز".

15	فقدان الضغط	16.5	إرشادات خاصة
15	عواقب الأعطال	16.6	الاستعمال
16	بيانات استهلاك الطاقة	16.7	1. إرشادات عامة
16	جدول البيانات	16.8	1.1 إرشادات السلامة
	الضمان		1.2 العلامات الأخرى في هذا النليل
	البيئة وإعادة التدوير		1.3 وحدات القياس
			2. السلامة
			2.1 الاستخدام المطابق للتعليمات
			2.2 إرشادات السلامة العامة
			2.3 رموز الاختبار
			3. وصف الجهاز
			3.1 ضبط درجة الحرارة المستهدفة
			3.2 توصيات الضبط
			4. التنظيف، والعناية، والصيانة
			5. حل المشاكل
			التثبيت
			6. السلامة
			6.1 إرشادات السلامة العامة
			6.2 تشغيل النش
			6.3 اللوائح والمعايير والتشريعات
			7. وصف الجهاز
			7.1 إجمالي المرسل
			7.2 الملحقات
			8. التحضيرات
			8.1 موضع التركيب
			8.2 الحد الأدنى للمسافات
			8.3 تركيبات الماء
			9. التركيب
			9.1 التركيب القياسي المكشوف
			10. التشغيل
			10.1 الحماية الداخلية من الاكتواء من خلال منفذ توصيل وصلة العبور
			10.2 تعديل قدرة التوصيل عبر منفذ توصيل وصلة العبور
			10.3 التشغيل الأولي
			10.4 إعادة التشغيل
			11. إيقاف التشغيل
			12. إمكانيات التركيب
			12.1 الوصلة الكهربائية الخفية بأعلى
			12.2 الوصلة الكهربائية الخفية بأسفل
			12.3 توصيل كهربائي بكابل توصيل شبكة قصير
			12.4 الوصلة الكهربائية الجانبية المكشوفة
			12.5 تركيبات الماء المخفية
			12.6 التشغيل مع الماء مسبق التسخين
			13. معلومات-الخدمة
			14. إصلاح الأعطال
			15. الصيانة
			15.1 تفرغ الجهاز
			15.2 تنظيف المصفاة
			16. المواصفات الفنية
			16.1 المقاييس والتوصيلات
			16.2 مخطط التوصيل الكهربائي
			16.3 وصلة الماء الساخن
			16.4 مجالات الاستخدام / جدول التحويل

Deutschland

STIEBEL ELTRON GmbH & Co. KG
Dr.-Stiebel-Straße 33 | 37603 Holzminden
Tel. 05531 702-0 | Fax 05531 702-480
info@stiebel-eltron.de
www.stiebel-eltron.de

Verkauf

Tel. 05531 702-110 | Fax 05531 702-95108 | info-center@stiebel-eltron.de

Kundendienst

Tel. 05531 702-111 | Fax 05531 702-95890 | kundendienst@stiebel-eltron.de

Ersatzteilverkauf

Tel. 05531 702-120 | Fax 05531 702-95335 | ersatzteile@stiebel-eltron.de

Australia

STIEBEL ELTRON Australia Pty. Ltd.
294 Salmon Street | Port Melbourne VIC 3207
Tel. 03 9645-1833 | Fax 03 9644-5091
info@stiebel-eltron.com.au
www.stiebel-eltron.com.au

Austria

STIEBEL ELTRON Ges.m.b.H.
Gewerbegebiet Neubau-Nord
Margaritenstraße 4 A | 4063 Hörsching
Tel. 07221 74600-0 | Fax 07221 74600-42
info@stiebel-eltron.at
www.stiebel-eltron.at

Belgium

STIEBEL ELTRON bvba/sprl
't Hofveld 6 - D1 | 1702 Groot-Bijgaarden
Tel. 02 42322-22 | Fax 02 42322-12
info@stiebel-eltron.be
www.stiebel-eltron.be

China

STIEBEL ELTRON (Tianjin) Electric Appliance
Co., Ltd.
Plant C3, XEDA International Industry City
Xiqing Economic Development Area
300385 Tianjin
Tel. 022 8396 2077 | Fax 022 8396 2075
info@stiebel-eltron.cn
www.stiebel-eltron.cn

Czech Republic

STIEBEL ELTRON spol. s r.o.
Dopraváků 749/3 | 184 00 Praha 8
Tel. 251116-111 | Fax 235512-122
info@stiebel-eltron.cz
www.stiebel-eltron.cz

Finland

STIEBEL ELTRON OY
Kapinakuja 1 | 04600 Mäntsälä
Tel. 020 720-9988
info@stiebel-eltron.fi
www.stiebel-eltron.fi

France

STIEBEL ELTRON SAS
7-9, rue des Selliers
B.P 85107 | 57073 Metz-Cédex 3
Tel. 0387 7438-88 | Fax 0387 7468-26
info@stiebel-eltron.fr
www.stiebel-eltron.fr

Hungary

STIEBEL ELTRON Kft.
Gyár u. 2 | 2040 Budaörs
Tel. 01 250-6055 | Fax 01 368-8097
info@stiebel-eltron.hu
www.stiebel-eltron.hu

Japan

NIHON STIEBEL Co. Ltd.
Kowa Kawasaki Nishiguchi Building 8F
66-2 Horikawa-Cho
Saiwai-Ku | 212-0013 Kawasaki
Tel. 044 540-3200 | Fax 044 540-3210
info@nihonstiebel.co.jp
www.nihonstiebel.co.jp

Netherlands

STIEBEL ELTRON Nederland B.V.
Daviotenweg 36 | 5222 BH 's-Hertogenbosch
Tel. 073 623-0000 | Fax 073 623-1141
info@stiebel-eltron.nl
www.stiebel-eltron.nl

New Zealand

Stiebel Eltron NZ Limited
61 Barrys Point Road | Auckland 0622
Tel. +64 9486 2221
info@stiebel-eltron.co.nz
www.stiebel-eltron.co.nz

Poland

STIEBEL ELTRON Polska Sp. z O.O.
ul. Działkowa 2 | 02-234 Warszawa
Tel. 022 60920-30 | Fax 022 60920-29
biuro@stiebel-eltron.pl
www.stiebel-eltron.pl

Russia

STIEBEL ELTRON LLC RUSSIA
Urzhumskaya street 4,
building 2 | 129343 Moscow
Tel. +7 495 125 0 125
info@stiebel-eltron.ru
www.stiebel-eltron.ru

Slovakia

STIEBEL ELTRON Slovakia, s.r.o.
Hlavná 1 | 058 01 Poprad
Tel. 052 7127-125 | Fax 052 7127-148
info@stiebel-eltron.sk
www.stiebel-eltron.sk

Switzerland

STIEBEL ELTRON AG
Industrie West
Gass 8 | 5242 Lupfig
Tel. 056 4640-500 | Fax 056 4640-501
info@stiebel-eltron.ch
www.stiebel-eltron.ch

Thailand

STIEBEL ELTRON Asia Ltd.
469 Moo 2 Tambol Klong-Jik
Amphur Bangpa-In | 13160 Ayutthaya
Tel. 035 220088 | Fax 035 221188
info@stiebel-eltronasia.com
www.stiebel-eltronasia.com

United Kingdom and Ireland

STIEBEL ELTRON UK Ltd.
Unit 12 Stadium Court
Stadium Road | CH62 3RP Bromborough
Tel. 0151 346-2300 | Fax 0151 334-2913
info@stiebel-eltron.co.uk
www.stiebel-eltron.co.uk

United States of America

STIEBEL ELTRON, Inc.
17 West Street | 01088 West Hatfield MA
Tel. 0413 247-3380 | Fax 0413 247-3369
info@stiebel-eltron-usa.com
www.stiebel-eltron-usa.com

STIEBEL ELTRON



Irrtum und technische Änderungen vorbehalten! | Subject to errors and technical changes! | Sous réserve d'erreurs et de modifications techniques! | Onder voorbehoud van vergissingen en technische wijzigingen! | Salvo error o modificación técnica! | Excepto erro ou alteração técnica | Zastrzeżone zmiany techniczne i ewentualne błędy | Omyly a technické změny jsou vyhrazeny! | A muszaki változtatások és tévedések jogát fenntartjuk! | Отсутствие ошибок не гарантируется. Возможны технические изменения. | Chyby a technické zmeny sú vyhradené!

Stand 9646

A 331569-43595-9669
B 331290-43595-9669