

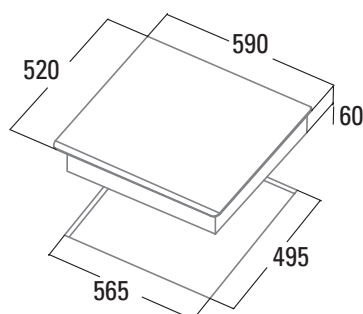
Induction Free Zone



INSB 6003 WH

Cod. **08053001** EAN **8422248108614**

- 3 cooking areas:
 - Front Left: 1 area with Booster function of Ø230mm of 2.3kW (max. 2.6kW)
 - Rear Left: 1 area with Booster function of Ø180mm of 1.2kW (max. 1.5kW)
 - Right: 1 area with Booster function of Ø300/180mm of 3/1,5kW (max. 3,6/1,8kW)
- Continuous power regulation
- 3 cooking areas: 1 zone of Ø280/180mm, 1 zone of Ø210mm, 1 zone of Ø160mm
- Slider Touch Control for each area
- It has three temperature functions:
 - Melting / Defrosting (45-55°C)
 - Heating / Keeping warm (65-70°C)
 - Simmering (85-95°C)
- 9 adjustable power levels + Booster
- Pause Function
- Timer function for each area
- Countdown alarm
- Automatic pan detection
- Safety lock
- Residual heat indicator
- Automatic safety switch-off
- Frontal bevel
- 60 cm wide
- Total power 7.1kW



Code	08053001
EAN	8422248108614
Model	INSB 6003 WH
Type	Induction
Product fiche	
Cooking zones	3
Right front zone: Diameter (mm)	-
Right front zone: Power (kW)	-
Right front zone: Booster (kW)	-
Right front zone: Consumption (Wh/kg)	-
Right rear zone: Diameter (mm)	300
Right rear zone: Power (kW)	2,3
Right rear zone: Booster (kW)	3
Right rear zone: Consumption (Wh/kg)	180,8
Central front zone: Diameter (mm)	-
Central front zone: Power (kW)	-
Central front zone: Booster (kW)	-
Central front zone: Consumption (Wh/kg)	-
Central rear zone: Diameter (mm)	-
Central rear zone: Power (kW)	-
Central rear zone: Booster (kW)	-
Central rear zone: Consumption (Wh/kg)	-
Front left zone: Diameter (mm)	230
Front left zone: Power (kW)	2,3
Front left zone: Booster (kW)	2,6
Front left zone: Consumption (Wh/kg)	184,1
Left rear zone: Diameter (mm)	180
Left rear zone: Power (kW)	1,2
Left rear zone: Booster (kW)	1,5
Left rear zone: Consumption (Wh/kg)	181,7
Energy consumption of the hob (Wh/kg)	182,2
Dimensions	
Product width (mm)	590
Product depth (mm)	520
Product height (mm)	60
Built-in height (mm)	565
Built-in depth (mm)	495
Ventilation slot (mm)	5
Fixing system	Quick-Fix System
Finishing	
Colour	White
Aesthetic	Front bevel
Control	
Control type	Independent Slider for each area
Power selection (+/-)	Individual per zone
Power levels	9 + Booster
Timer	Yes
Countdown alarm	Yes
Power management	Yes
Security	
Safety lock	Yes
Residual heat indicator	Yes
Automatic pan detection	Yes
Automatic safety switch-off	Yes
Protection against liquid spillage	Yes
Electrical connection	
Nominal voltage (V)	220-240
Mains frequency (Hz)	50-60
Max Product power (kW)	7,1