



## GIGA 600 BK



GIGA 600 BK  
Cod. **08026002** EAN **8422248059190**

### Cooking areas:

- Front Right: 1 area with **Booster function** of 237x189mm of 2.1kW (max. 3.7kW)
- Rear Right: 1 area with **Booster function** of 237x189mm of 2.1kW (max. 3.7kW)
- Front Left: 1 area with **Booster function** of 237x189mm of 2.1kW (max. 3.7kW)
- Rear Left: 1 area with **Booster function** of 237x189mm of 2.1kW (max. 3.7kW)

- Modular areas of 237x378mm of 3.7kW
- Modular giant area measuring Ø400 mm

### Continuous power regulation

### Slider Touch Control for each area

### It has three temperature functions:

- Melting / Defrosting (42°C)
- Heating / Keeping warm (70°C)
- Simmering (94°C)

### Adjustable power levels + Booster

### Timer function for each area

### Countdown alarm

### Intelligent pan detection

### Safety lock

### Residual heat indicator

### Automatic safety switch-off

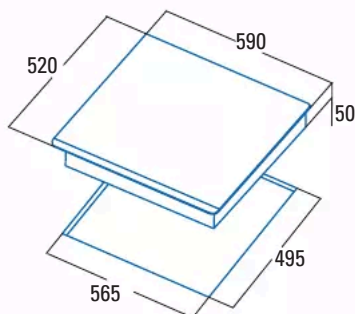
### Frontal bevel

### 99 cm wide

### Total power 7.4kW

### Accessories (not included)

Barbecue grill ..... Cod. 03017400 / EAN 8422248082563



<b>Code</b>	<b>08026002</b>
<b>EAN</b>	<b>8422248059190</b>
<b>Model</b>	<b>GIGA 600 BK</b>
<b>Type</b>	<b>Induction</b>
<b>Product fiche</b>	
Cooking zones	4
<b>Right front zone: Diameter (mm)</b>	237x189
Right front zone: Power (kW)	2,1
Right front zone: Booster (kW)	3,7
Right front zone: Consumption (Wh/kg)	182,7
Right rear zone: Diameter (mm)	237x189
<b>Right rear zone: Power (kW)</b>	2,1
Right rear zone: Booster (kW)	3,7
Right rear zone: Consumption (Wh/kg)	182,7
Central front zone: Diameter (mm)	-
Central front zone: Power (kW)	-
<b>Central front zone: Booster (kW)</b>	-
Central front zone: Consumption (Wh/kg)	-
Central rear zone: Diameter (mm)	-
Central rear zone: Power (kW)	-
Central rear zone: Booster (kW)	-
<b>Central rear zone: Consumption (Wh/kg)</b>	-
Front left zone: Diameter (mm)	237x189
Front left zone: Power (kW)	2,1
Front left zone: Booster (kW)	3,7
Front left zone: Consumption (Wh/kg)	182,7
<b>Left rear zone: Diameter (mm)</b>	237x189
Left rear zone: Power (kW)	2,1
Left rear zone: Booster (kW)	3,7
Left rear zone: Consumption (Wh/kg)	182,7
Energy consumption of the hob (Wh/kg)	182,7
<b>Dimensions</b>	
Product width (mm)	590
Product depth (mm)	520
Product height (mm)	50
Built-in height (mm)	565
Built-in depth (mm)	495
Ventilation slot (mm)	5
Fixing system	Quick-Fix System
<b>Finishing</b>	
Colour	Black
Aesthetic	Front bevel
<b>Control</b>	
Control type	Independent Slider for each area
Power selection (+/-)	Individual per zone
Power levels	9 + Booster
Timer	Yes
Countdown alarm	Yes
Power management	No
<b>Security</b>	
Safety lock	Yes
Residual heat indicator	Yes
Automatic pan detection	Yes
Automatic safety switch-off	Yes
Protection against liquid spillage	Yes
<b>Electrical connection</b>	
Nominal voltage (V)	220-240
Mains frequency (Hz)	50-60
Max Product power (kW)	7.4

