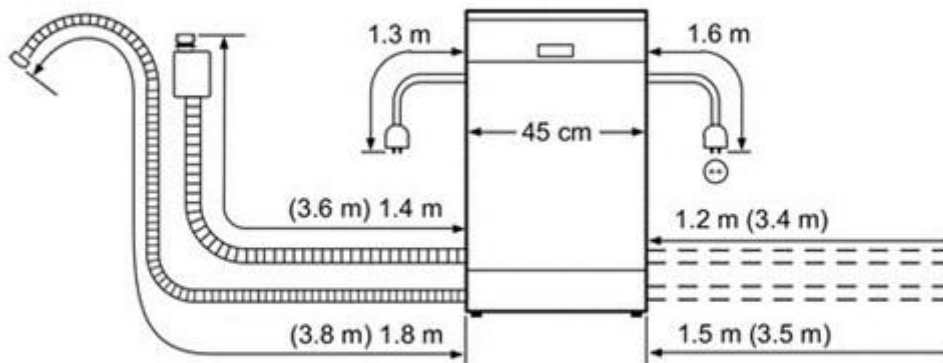


measurements in mm



( ) values with extension kit